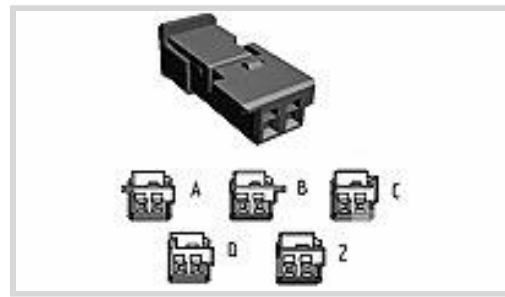




Connectors > Automotive Connectors > Connector Housings > MQS, CONNECTOR HOUSING



Connector & Housing Type: **Housing for Female Terminals**

Mating Tab Width: **.63 mm [.025 in]**

Connector System: **Wire-to-Board, Wire-to-Device, Wire-to-Wire**

Number of Positions: **2**

Centerline (Pitch): **2.54 mm [.1 in]**

[All MQS, CONNECTOR HOUSING \(557\)](#)

Features

Product Type Features

Connector & Housing Shape	Rectangular
Connector & Housing Type	Housing for Female Terminals
Connector System	Wire-to-Board, Wire-to-Device, Wire-to-Wire
Sealable	No
Hybrid Connector	No
Primary Locking Feature	On the Terminal

Configuration Features

Number of Positions	2
Number of Rows	1

Body Features

Cable Exit Angle	180°
Body Material	PBT GF
Primary Product Color	Blue
Connector Code	Z

Contact Features

Contact Size	.63mm
Contact Type	Receptacle



Mating Tab Width	.63 mm[.025 in]
------------------	-----------------

Mechanical Attachment

Mounting Feature	Without
Terminal Position Assurance	Yes
Strain Relief	Without
Mating Alignment Type	Keyed
Mating Alignment	With
Connector Mounting Type	Cable Mount (Free-Hanging)

Housing Features

Centerline (Pitch)	2.54 mm[.1 in]
--------------------	----------------

Dimensions

Product Width	16.7 mm[.657 in]
Product Length	7 mm[.276 in]
Product Height	6.2 mm[.244 in]

Usage Conditions

Operating Temperature (Max)	70 °C, 75 °C, 80 °C[158 °F][167 °F][176 °F]
Operating Temperature Range	-40 – 80 °C[-40 – 176 °F]

Operation/Application

Circuit Application	Signal
---------------------	--------

Industry Standards

UL Flammability Rating	UL 94HB
------------------------	---------

Packaging Features

Packaging Method	Box
------------------	-----

Other

Serviceable	No
Connector Position Assurance Capable	No

Product Compliance

[For compliance documentation, visit the product page on TE.com>](#)

EU RoHS Directive 2011/65/EU	Compliant
EU ELV Directive 2000/53/EC	Compliant

China RoHS 2 Directive MIIT Order No 32, 2016	No Restricted Materials Above Threshold
EU REACH Regulation (EC) No. 1907/2006	Current ECHA Candidate List: JUNE 2022 (224) Candidate List Declared Against: JUNE 2022 (224) Does not contain REACH SVHC
Halogen Content	BFR/CFR/PVC Free, but Br/Cl >900 ppm in other sources.
Solder Process Capability	Not applicable for solder process capability

Product Compliance Disclaimer

This information is provided based on reasonable inquiry of our suppliers and represents our current actual knowledge based on the information they provided. This information is subject to change. The part numbers that TE has identified as EU RoHS compliant have a maximum concentration of 0.1% by weight in homogenous materials for lead, hexavalent chromium, mercury, PBB, PBDE, DBP, BBP, DEHP, DIBP, and 0.01% for cadmium, or qualify for an exemption to these limits as defined in the Annexes of Directive 2011/65/EU (RoHS2). Finished electrical and electronic equipment products will be CE marked as required by Directive 2011/65/EU. Components may not be CE marked. Additionally, the part numbers that TE has identified as EU ELV compliant have a maximum concentration of 0.1% by weight in homogenous materials for lead, hexavalent chromium, and mercury, and 0.01% for cadmium, or qualify for an exemption to these limits as defined in the Annexes of Directive 2000/53/EC (ELV). Regarding the REACH Regulation, the information TE provides on SVHC in articles for this part number is based on the latest European Chemicals Agency (ECHA) 'Guidance on requirements for substances in articles' posted at this URL: <https://echa.europa.eu/guidance-documents/guidance-on-reach>

Compatible Parts

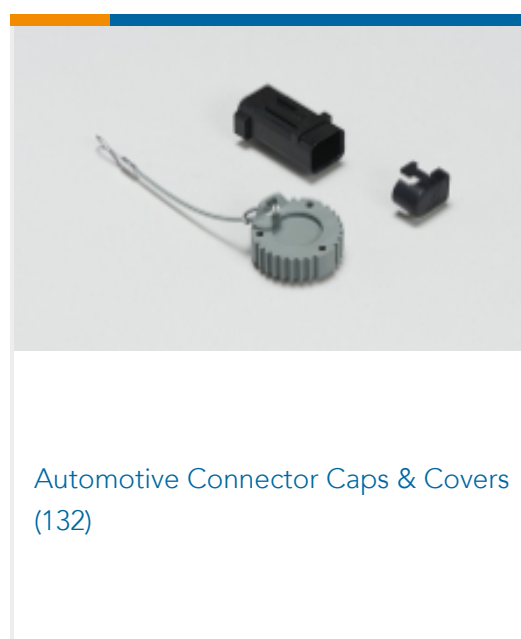


TE Part # CAT-M8793-CH8172
MQS, CONNECTOR HOUSING

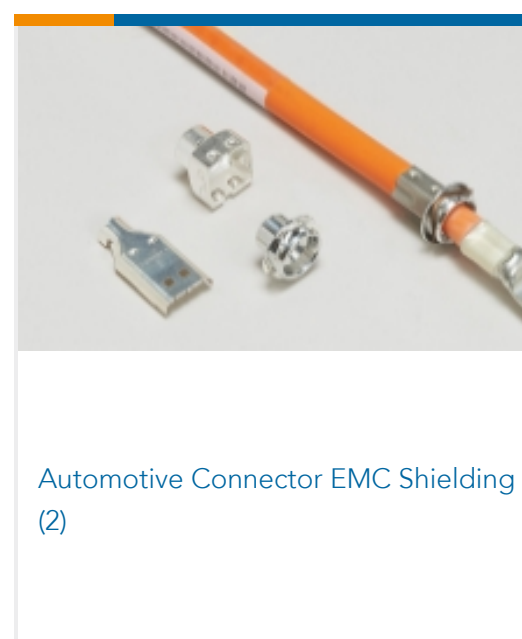


TE Part # CAT-M8793-T273
MQS, RECEPTACLE AND TAB

Also in the Series | MQS



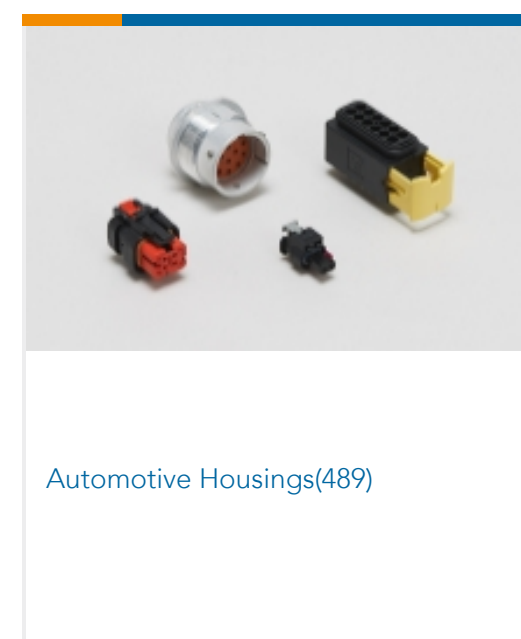
Automotive Connector Caps & Covers (132)



Automotive Connector EMC Shielding (2)



Automotive Connector Locks & Position Assurance(29)



Automotive Housings(489)



Automotive Seals & Cavity Plugs(26)



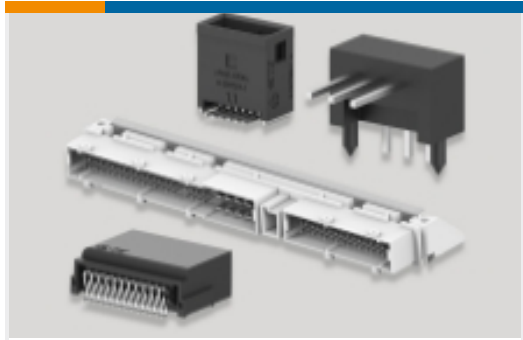
Automotive Terminals(96)



Insertion & Extraction Tools(42)

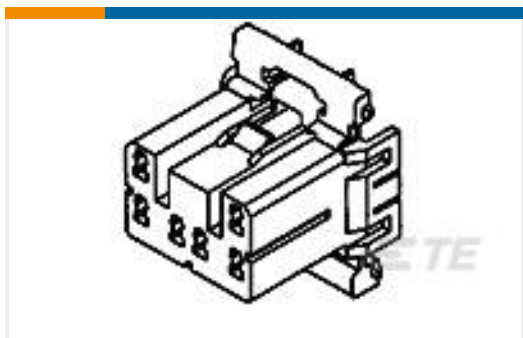


Other Automotive Connector Accessories(13)

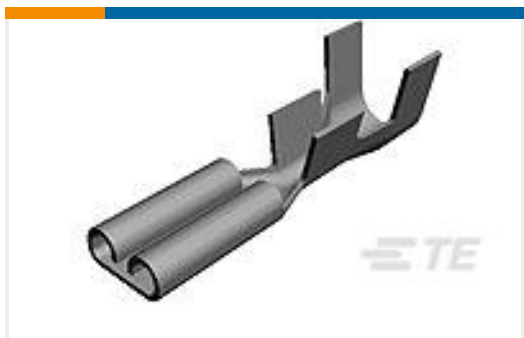


PCB Headers & Receptacles(207)

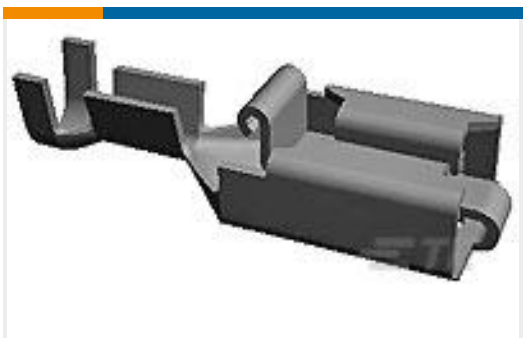
Customers Also Bought



TE Part #368544-1
070 MLC PLUG 18P HSG



TE Part #5-160433-6
187 FASTON REC 20-16 AWG TPBR



TE Part #154718-6
250 PL MKI REC. 18-14AWG PTPB



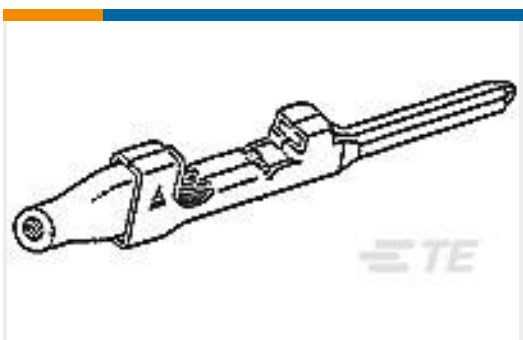
TE Part #828906-2
BLINDSTOPFEN 1,5SYS



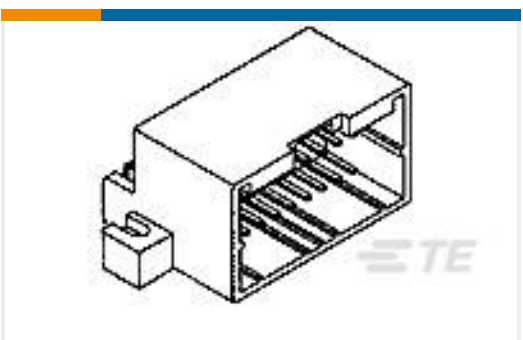
TE Part #206903-2
SEALING CAP ASSY,SZ 11,CPC



TE Part #1-967621-2
JUN-POW-TIM GEH 9P



TE Part #173682-1
040 MLC TAB CONTACT



TE Part #174051-2
040 MULTILOCK I/O CONN 12PASSY



TE Part #0838016002
RBK-VWS-125-NR1-X-50MM



TE Part #281988-2
MODULAR CONN HSG MICRO RE

Documents



Product Drawings

2POS MQS REC COD Z

English

CAD Files

3D PDF

3D

Customer View Model

[ENG_CVM_CVM_9-1718333-1_A.2d_dxf.zip](#)

English

Customer View Model

[ENG_CVM_CVM_9-1718333-1_A.3d_igs.zip](#)

English

Customer View Model

[ENG_CVM_CVM_9-1718333-1_A.3d_stp.zip](#)

English

By downloading the CAD file I accept and agree to the [Terms and Conditions](#) of use.

Datasheets & Catalog Pages

Micro Quadlok Interconnection System (MQS)

English

Product Specifications

MICRO QUADLOK SYSTEM PIN- AND SOCKET HOUSING WITH INTEGRATED RETAINER

English

Application Specification

English