

NOTES:

MATERIAL:

HOUSING: NYLON UL94V-0

CONTACT: PHOSPHOR BRONZE

FITTING NAIL: PHOSPHOR BRONZE

2. PLATING:

PLS. SEE ACES PLATING CODE (P/N LEGEND)

P/N LEGEND

88068-XXX X X-XX

□ : With boss
NS: Without boss

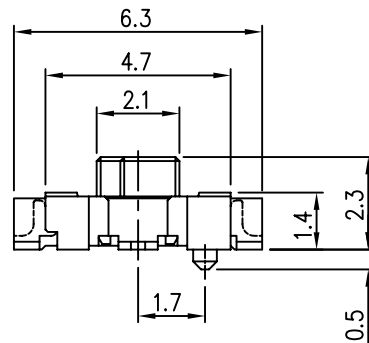
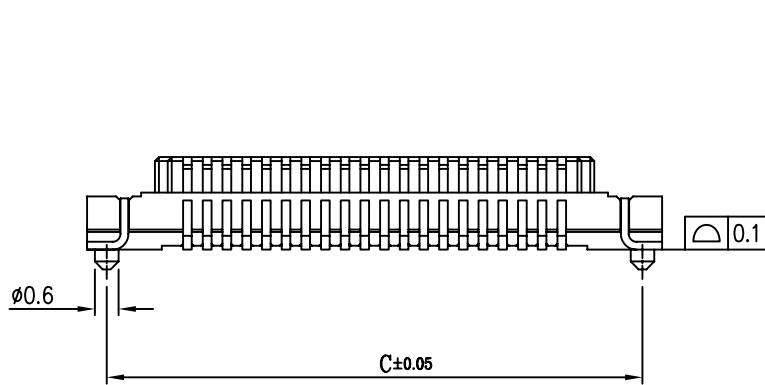
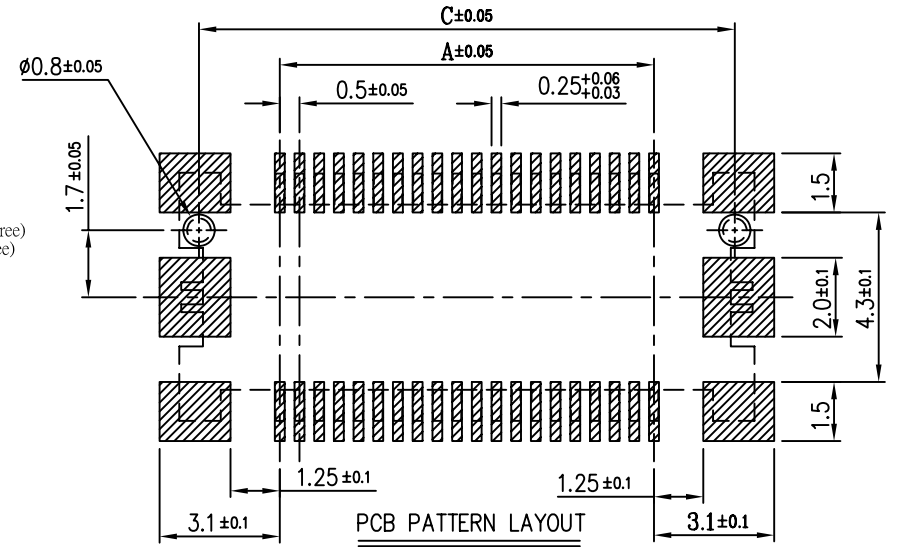
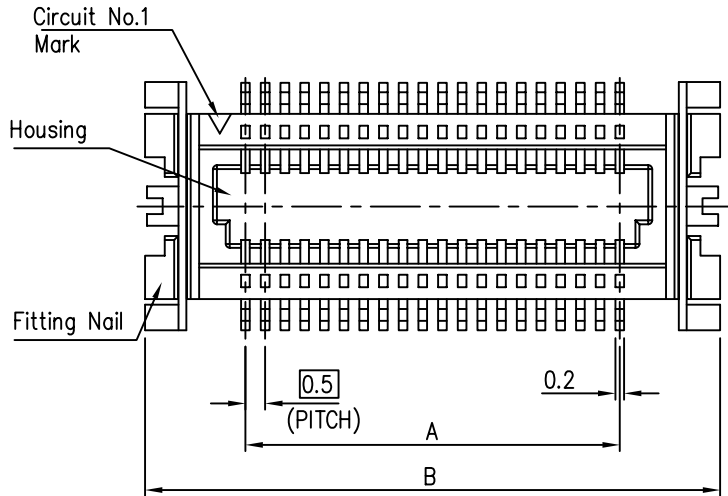
PLATING

1: G/F over all (Lead Free)
N: MATT TIN (lead free)
□: Tin PLATED

Packing

0: Tape & Reel
1: Tube Package

No Of CKT



CKT	Dim A	Dim B	Dim C
10	2.0	7.1	6.1
14	3.0	8.1	7.1
16	3.5	8.6	7.6
20	4.5	9.6	8.6
22	5.0	10.1	9.1
24	5.5	10.6	9.6
30	7.0	12.1	11.1
34	8.0	13.1	12.1
36	8.5	13.6	12.6
40			
44	10.5	15.6	14.6
50	12.0	17.1	16.1
60			
70	17.0	22.1	21.1
80	19.5	24.6	23.6
100	24.5	29.6	28.6
120	29.5	34.6	33.6
140	34.5	39.6	38.6
160	39.5	44.6	43.6

一般公差 TOLERANCES X ±0.5 XX ±0.15 X ±0.25 XXX ±0.1 ANGLES ±2°		宏致電子股份有限公司 Aces Electronic Co., Ltd.	
檢驗尺寸標示 SYMBOLS ⊕ ⊗ INDICATE CLASSIFICATION DIMENSION ⊕ MARK IS CRITICAL DIM. ⊗ MARK IS MAJOR DIM.	品名 (TITLE) 0.5mm BTB D/R CONN. SMT S/T TYPE 圖號 (DWG.NO) 88068-XXXXX-XX	製圖 (DR) '12/06/08 許紅星 審核 (CHKD) TONY 核准 (APPD) JASON	張數 (SHEET) 1 OF 2 SIZE A4 REV F
表面處理 (FINISH)	比例 (SCALE) 5:1	單位 (UNITS) mm	圖號 (DWG.NO) 88068-XXXXX-XX

NOTES:

MATERIAL:

HOUSING: NYLON UL94V-0

CONTACT: PHOSPHOR BRONZE

FITTING NAIL: PHOSPHOR BRONZE

2. PLATING:

PLS. SEE ACES PLATING CODE (P/N LEGEND)

P/N LEGEND

88068-XXX X X-XX

□ : With boss
NS: Without boss

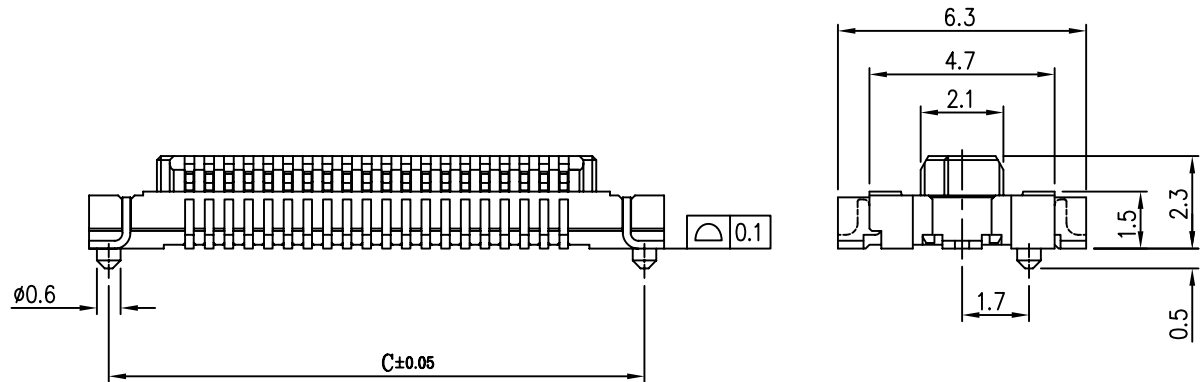
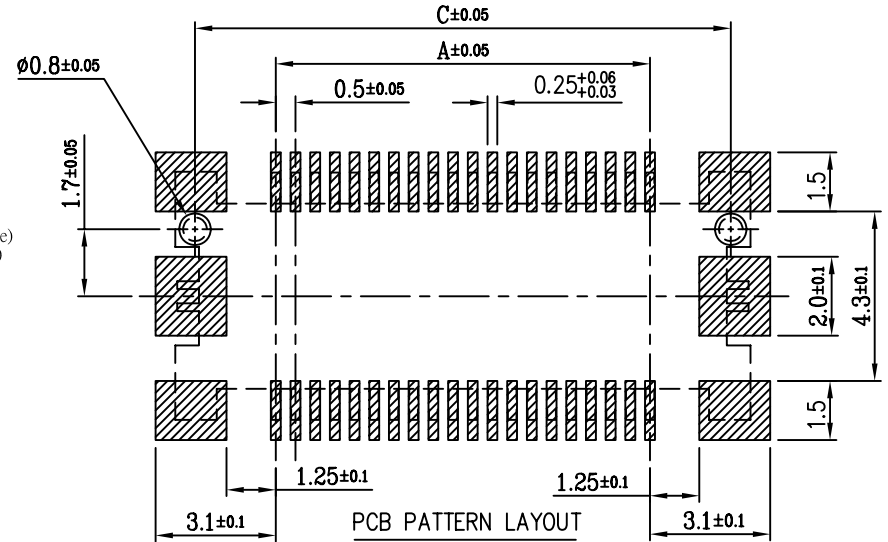
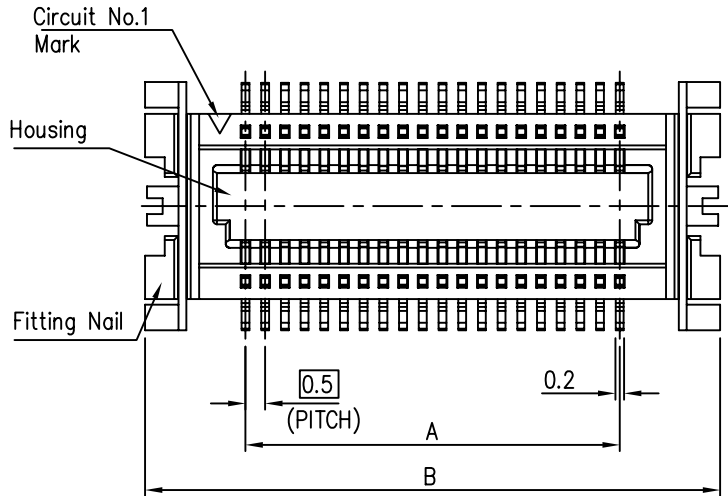
PLATING
1: G/F over all (Lead Free)
N: MATT TIN (lead free)
□: Tin PLATED

Packing

0: Tape & Reel

1: Tube Package

No Of CKT



CKT	Dim A	Dim B	Dim C
40	9.5	14.6	13.6
60	14.5	19.6	18.6

一般公差 TOLERANCES X ±0.5 XX ±0.15 X ±0.25 XXX ±0.1 ANGLES ±2°		宏致電子股份有限公司 Aces Electronic Co., Ltd.	
檢驗尺寸標示 SYMBOLS Ⓞ ⊕ INDICATE CLASSIFICATION DIMENSION ⊕ MARK IS CRITICAL DIM. ⊕ MARK IS MAJOR DIM.	品名 (TITLE) 0.5mm BTB D/R CONN. SMT S/T TYPE 圖號 (DWG.NO) 88068-XXXXX-XX	製圖 (DR) 許紅星 '12/06/08 審核 (CHKD) TONY 核准 (APPD) JASON	張數 (SHEET) 2 OF 2 SIZE A4 REV F
表面處理 (FINISH)	比例 (SCALE) 5:1 單位 (UNITS) mm		