

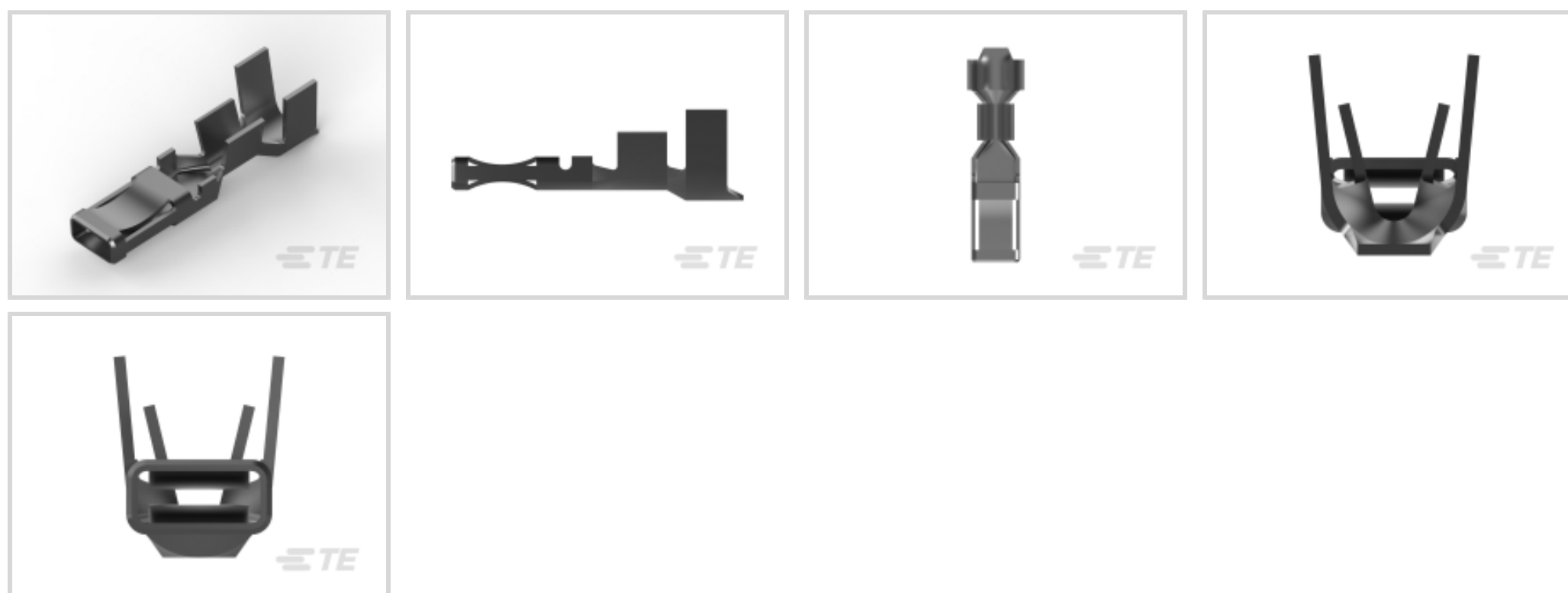
## Timer Connector System

TE Internal #: 770642-1

Quick Disconnects, Receptacle, 20 – 14 AWG Wire Size, .51 – 2.08 mm<sup>2</sup> Wire Size, Mating Tab Width .125 in [3.18 mm], Straight, Timer Connector System

[View on TE.com >](#)

Terminals & Splices > Quick Disconnects



Quick Disconnect Terminal Type: **Receptacle**

Wire Size: .51 – 2.08 mm<sup>2</sup>

Mating Tab Width: 3.18 mm [.125 in]

Mating Tab Thickness: .51 mm [.02 in]

## Features

### Product Type Features

Terminates To	Wire & Cable
Wire Stop	No
Wire/Cable Type	Regular Wire
Sealable	No

### Configuration Features

Connection Capacity	Single
---------------------	--------

### Contact Features

Quick Disconnect Terminal Type	Receptacle
Mating Tab Width	3.18 mm [.125 in]
Mating Tab Thickness	.51 mm [.02 in]
Terminal Orientation	Straight
Contact Base Material	Brass
Terminal Plating Material	Pre-Tin
Crimp Type	F-Crimp
Barrel Type	Open



### Mechanical Attachment

Wire Insulation Support	With
-------------------------	------

### Dimensions

Accepts Wire Insulation Diameter Range	2.84 – 3.12 mm [.112 – .123 in]
Overall Length	16.89 mm [.665 in]
Receptacle Terminal Stock Thickness	.33 mm [.013 in]
Wire Size	.51 – 2.08 mm <sup>2</sup>

### Usage Conditions

Insulation Option	Uninsulated
Operating Temperature Range	-40 – 110 °C [-40 – 230 °F]

### Industry Standards

UL Rating	Recognized
-----------	------------

### Packaging Features

Packaging Quantity	3200
Packaging Method	Strip/Reel

### Product Compliance

[For compliance documentation, visit the product page on TE.com>](#)

EU RoHS Directive 2011/65/EU	Compliant
EU ELV Directive 2000/53/EC	Compliant
China RoHS 2 Directive MIIT Order No 32, 2016	No Restricted Materials Above Threshold
EU REACH Regulation (EC) No. 1907/2006	Current ECHA Candidate List: JUNE 2022 (224) Candidate List Declared Against: JAN 2021 (211) SVHC > Threshold: Not Yet Reviewed
Halogen Content	Low Halogen - Br, Cl, F, I < 900 ppm per homogenous material. Also BFR/CFR/PVC Free
Solder Process Capability	Not applicable for solder process capability

#### Product Compliance Disclaimer

This information is provided based on reasonable inquiry of our suppliers and represents our current actual knowledge based on the information they provided. This information is subject to change. The part numbers that TE has identified as EU RoHS compliant have a maximum concentration of 0.1% by weight in homogenous materials for lead, hexavalent chromium, mercury, PBB, PBDE, DBP, BBP, DEHP, DIBP, and 0.01% for cadmium, or qualify for an exemption to these

limits as defined in the Annexes of Directive 2011/65/EU (RoHS2). Finished electrical and electronic equipment products will be CE marked as required by Directive 2011/65/EU. Components may not be CE marked. Additionally, the part numbers that TE has identified as EU ELV compliant have a maximum concentration of 0.1% by weight in homogenous materials for lead, hexavalent chromium, and mercury, and 0.01% for cadmium, or qualify for an exemption to these limits as defined in the Annexes of Directive 2000/53/EC (ELV). Regarding the REACH Regulation, the information TE provides on SVHC in articles for this part number is based on the latest European Chemicals Agency (ECHA) 'Guidance on requirements for substances in articles' posted at this URL: <https://echa.europa.eu/guidance-documents/guidance-on-reach>

## Compatible Parts



TE Part # 2305570-1  
TERMINAL CUTTER, SIDE FEED



TE Part # 2-2151385-1  
OCEAN-2.0-APPLICATOR-S-090F155F



TE Part # 2-2151385-2  
OCEAN-2.0-APPLICATOR-S-090F155F



TE Part # 2151385-1  
OCEAN-2.0-APPLICATOR-S-090F155F



TE Part # 2151385-2  
OCEAN-2.0-APPLICATOR-S-090F155F




KIT  
REPRESENTATION ONLY

TE Part # 7-2151385-7  
OCEAN\_2.0\_SPARE\_PART\_KIT-090F155F

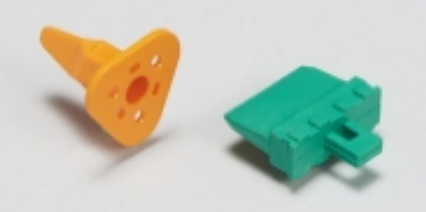


TE Part # 844751-1  
EXTRACTION TOOL ASSY


## Also in the Series | Timer Connector System



Automotive Connector Caps & Covers (11)




Automotive Connector Locks & Position Assurance(16)




Automotive Housings(219)




Automotive Seals & Cavity Plugs(31)



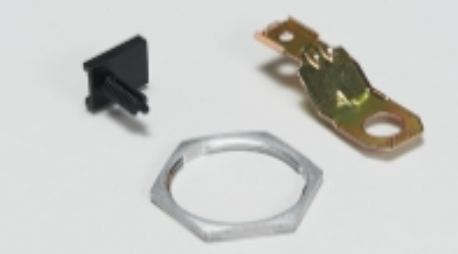
Automotive Terminals(138)



Crimp Terminal Housings(13)



Insertion & Extraction Tools(20)



Other Automotive Connector Accessories(1)



PCB Headers &amp; Receptacles(78)

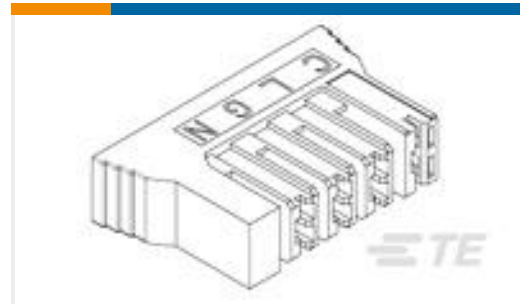


Quick Disconnects(4)

## Customers Also Bought



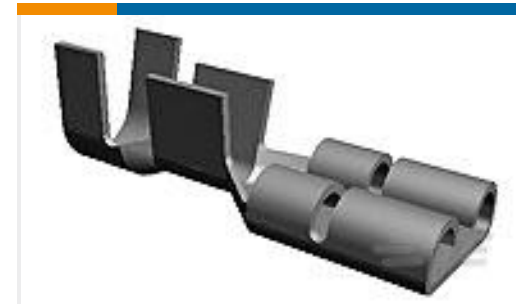
TE Part #521411-2  
ULTRA-POD 250 ASY REC 22-18 AWG  
TPBR



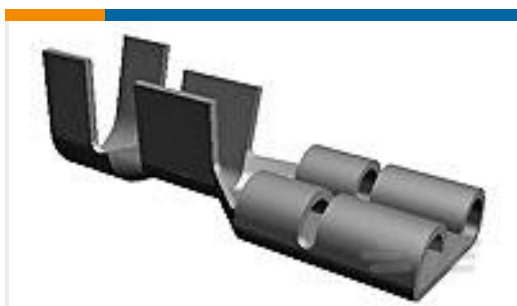
TE Part #521781-1  
250 HSG. PL MKIII REC. 6.81mm 4P  
NAT



TE Part #40955  
RING 20-16 AWG .0295 X .390 TPBR



TE Part #63475-2  
187 FASTON REC 20-16 AWG TPBR



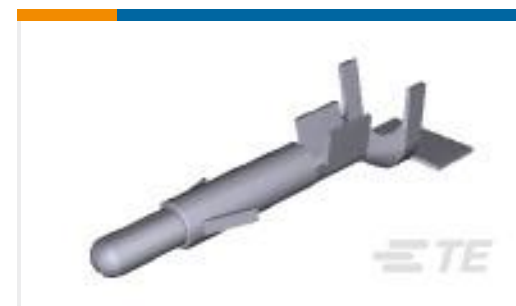
TE Part #63365-2  
250 FASTON REC 14-10 AWG TPBR



TE Part #42400-1  
250 FASTON REC 18-14 AWG BR



TE Part #964203-1  
STD PW TIMER CONTACT



TE Part #350700-1  
UMNL SPLIT PIN PTPBR



TE Part #2238136-2  
RECEPTACLE, POSITIVE-LOCK, RAST  
6.35



TE Part #2238212-2  
RECEPTACLE, POSITIVE-LOCK, RAST  
6.35

## Documents

### Product Drawings

[TIMER CONNECTOR TERMINAL 20-14 AWG PTPBR](#)

English

### CAD Files

[3D PDF](#)

3D

[Customer View Model](#)

[ENG\\_CVM\\_CVM\\_770642-1\\_S\\_c-770642-1-s.2d\\_dxf.zip](#)



English

**Customer View Model**

[ENG\\_CVM\\_CVM\\_770642-1\\_S\\_c-770642-1-s.3d\\_igs.zip](#)

English

**Customer View Model**

[ENG\\_CVM\\_CVM\\_770642-1\\_S\\_c-770642-1-s.3d\\_stp.zip](#)

English

By downloading the CAD file I accept and agree to the [Terms and Conditions](#) of use.

---

**Product Specifications**

[Application Specification](#)

English

---

**Product Environmental Compliance**

[TE Material Declaration](#)

English