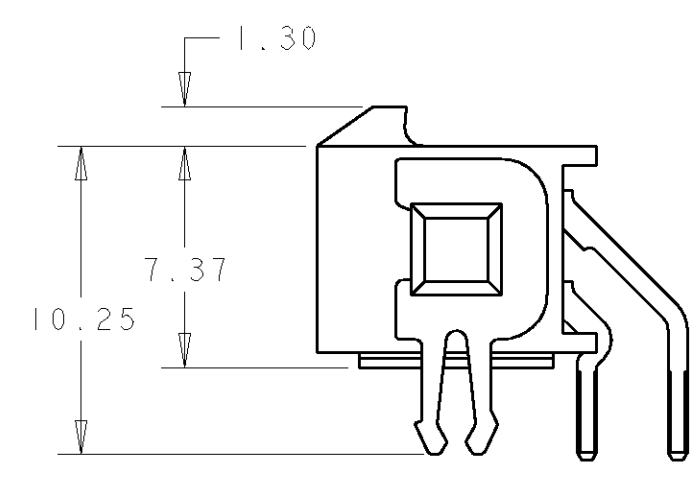
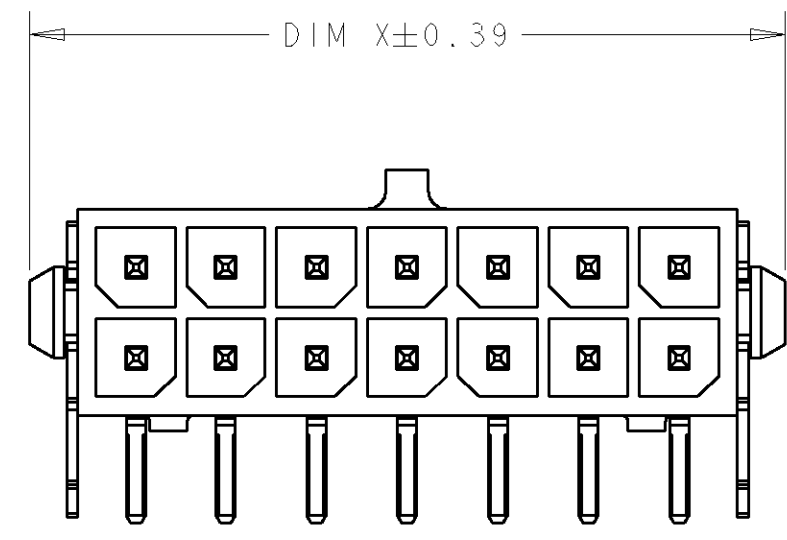
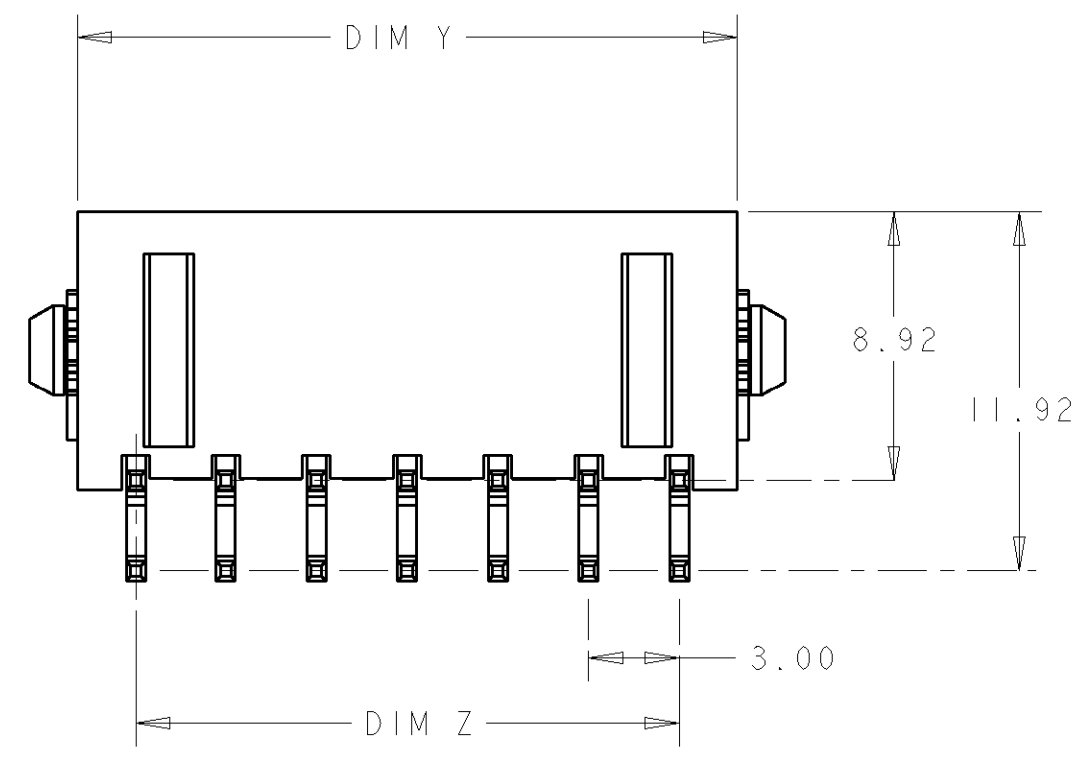


THIS DRAWING IS UNPUBLISHED. RELEASED FOR PUBLICATION 20
 © COPYRIGHT 20 BY TYCO ELECTRONICS CORPORATION. ALL RIGHTS RESERVED.

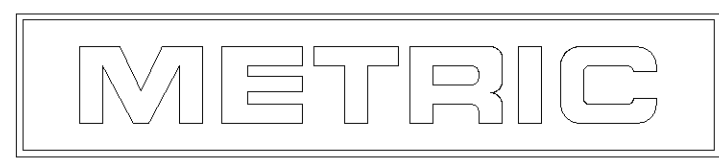
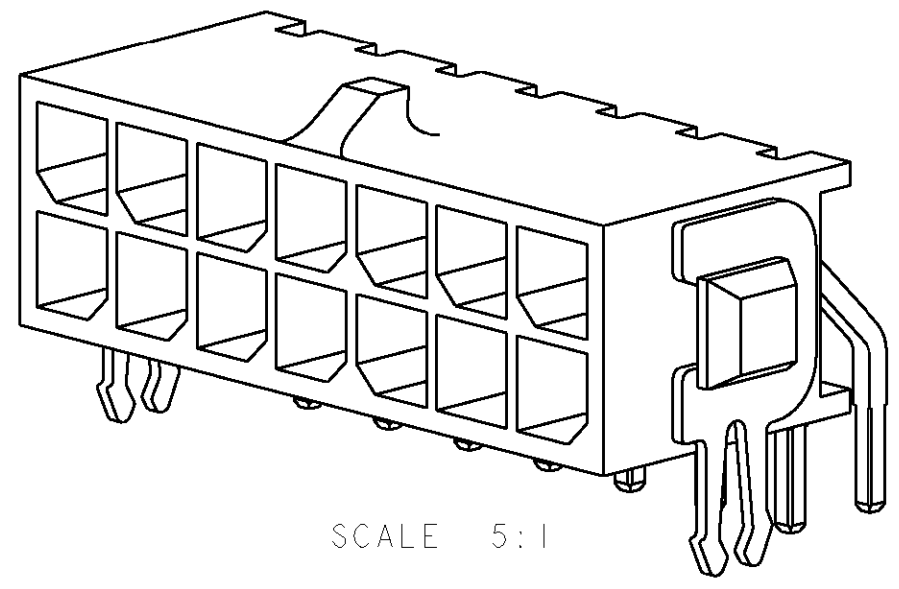
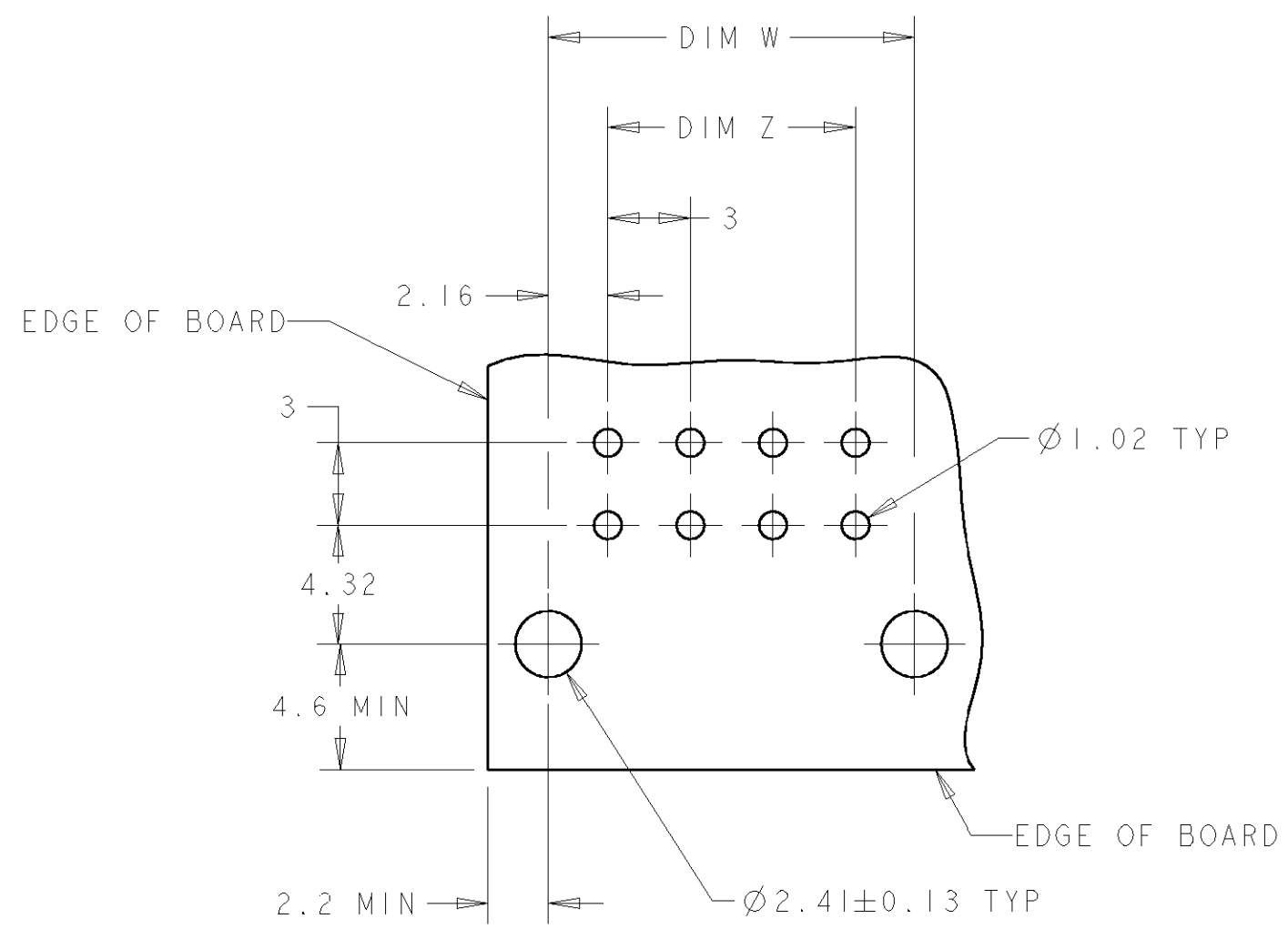
LOC	DIST	REVISIONS					
CM	00	P	LTR	DESCRIPTION	DATE	DWN	APVD
		F		REVISED PER 063B-0815-04	27OCT04	KW	CJ



- 1 MATERIAL:
CONTACTS - BRASS.
HOUSING - UL 94V-0 RATED HIGH TEMP NYLON, COLOR; BLACK.
- 2 PLATING:
CONTACTS - 2.54µm MINIMUM TIN-LEAD OVER 1.27µm MINIMUM NICKEL ALL OVER.
- 4 RECOMMENDED PC BOARD THICKNESS OF 1.57.
- 5 PLATING:
CONTACTS - 2.54µm MINIMUM MATTE TIN OVER 1.27µm MINIMUM NICKEL ALL OVER.



FINISH	DIM Y	DIM W	DIM Z	DIM X	NO. OF POSN.	PART NUMBER
5	36.86	37.30	33.00	40.00	24	5-794677-4
5	33.86	34.30	30.00	37.00	22	5-794677-2
5	30.86	31.30	27.00	34.00	20	5-794677-0
5	27.86	28.30	24.00	31.00	18	4-794677-8
5	24.86	25.30	21.00	28.00	16	4-794677-6
5	21.86	22.30	18.00	25.00	14	4-794677-4
5	18.86	19.30	15.00	22.00	12	4-794677-2
5	15.86	16.30	12.00	19.00	10	4-794677-0
5	12.86	13.30	9.00	16.00	8	3-794677-8
5	9.86	10.30	6.00	13.00	6	3-794677-6
5	6.86	7.30	3.00	10.00	4	3-794677-4
5	3.86	4.30	-	7.00	2	3-794677-2
2	36.86	37.30	33.00	40.00	24	2-794677-4
2	33.86	34.30	30.00	37.00	22	2-794677-2
2	30.86	31.30	27.00	34.00	20	2-794677-0
2	27.86	28.30	24.00	31.00	18	1-794677-8
2	24.86	25.30	21.00	28.00	16	1-794677-6
2	21.86	22.30	18.00	25.00	14	1-794677-4
2	18.86	19.30	15.00	22.00	12	1-794677-2
2	15.86	16.30	12.00	19.00	10	1-794677-0
2	12.86	13.30	9.00	16.00	8	794677-8
2	9.86	10.30	6.00	13.00	6	794677-6
2	6.86	7.30	3.00	10.00	4	794677-4
2	3.86	4.30	-	7.00	2	794677-2



THIS DRAWING IS A CONTROLLED DOCUMENT FOR TYCO ELECTRONICS CORPORATION IT IS SUBJECT TO CHANGE AND THE CONTROLLING ENGINEERING ORGANIZATION SHOULD BE CONTACTED FOR THE LATEST REVISION.		DWN B. HAYMAKER 12AUG99 CHK K. COBLE 12AUG99 APVD K. COBLE 12AUG99	tyco Electronics AMP Incorporated Harrisburg, PA 17105-3608
DIMENSIONS: mm 	TOLERANCES UNLESS OTHERWISE SPECIFIED: 0 PLC ± 1 PLC ± 2 PLC ±0.13 3 PLC ± 4 PLC ± ANGLES ±	PRODUCT SPEC - APPLICATION SPEC - WEIGHT -	NAME THRU-HOLE, RIGHT ANGLE, TIN HEADER MECHANICAL BOARDLOCK, DUAL ROW, MICRO MATE-N-LOK™ SIZE A200779C-794677 DRAWING NO. C-794677
MATERIAL	SEE TABLE	CUSTOMER DRAWING	RESTRICTED TO -