

9-160463-5 ✓ ACTIVE

**FASTON**

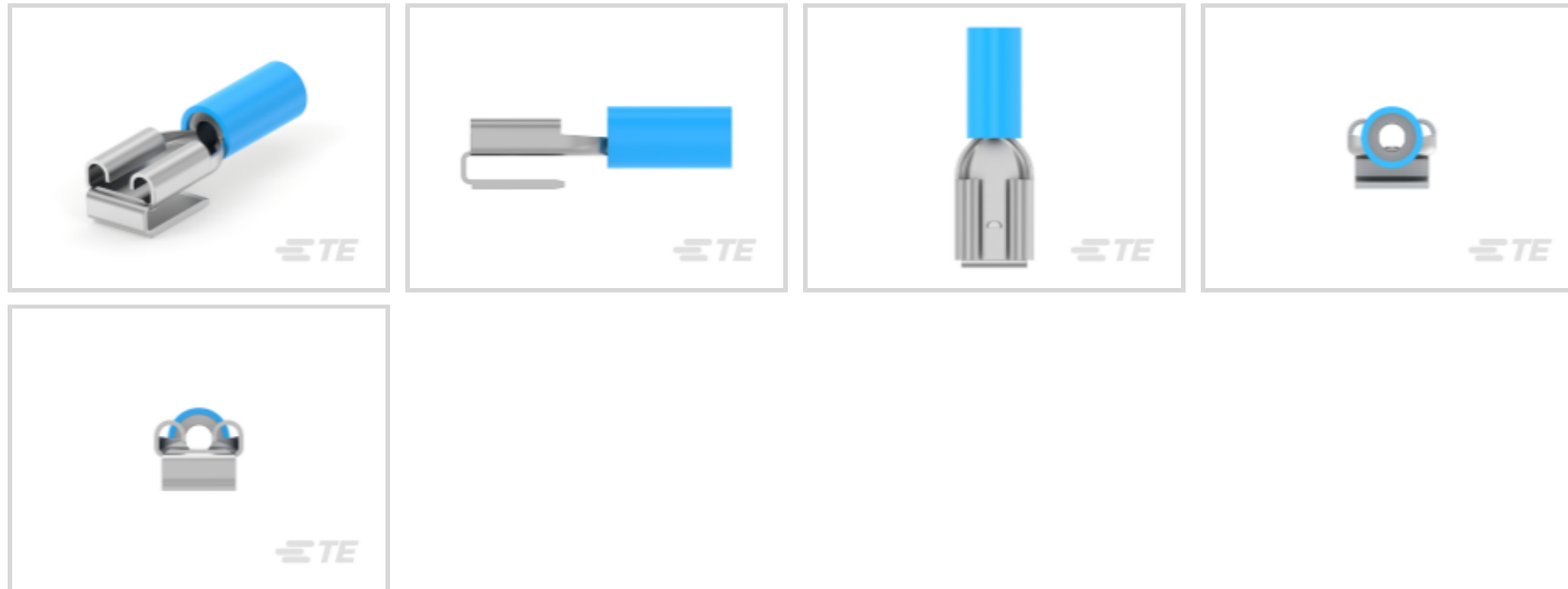
TE Internal #: 9-160463-5

Quick Disconnects, Receptacle, 16 – 14 AWG Wire Size, 1 – 2.5 mm<sup>2</sup> Wire Size, 2050 – 5180 CMA Wire Size, Mating Tab Width .25 in [6.35 mm], Piggyback

[View on TE.com >](#)



Terminals & Splices > Quick Disconnects



Quick Disconnect Terminal Type: **Receptacle**

Wire Size: **2050 – 5180 CMA**

Mating Tab Width: **6.35 mm [ .25 in ]**

**Features**

**Product Type Features**

Terminates To	Wire & Cable
Wire Stop	No
Insertion Force	Normal
Sealable	No

**Configuration Features**

Connection Capacity	Single
---------------------	--------

**Electrical Characteristics**

Voltage (Max)	300 V
---------------	-------

**Body Features**

Insulation Material	Nylon
---------------------	-------

**Contact Features**

Quick Disconnect Terminal Type	Receptacle
Mating Tab Width	6.35 mm[.25 in]
Mating Tab Thickness	.81 mm[.032 in]
Terminal Orientation	Piggyback



Contact Base Material	Phosphor Bronze
Terminal Plating Material	Tin
Crimp Type	Compression
Barrel Type	Closed

### Mechanical Attachment

Wire Insulation Support	With
-------------------------	------

### Dimensions

Accepts Wire Insulation Diameter Range	4.32 mm[.17 in]
Overall Length	23.41 mm[.922 in]
Wire Size	2050 – 5180 CMA

### Usage Conditions

Insulation Option	Partially Insulated
Operating Temperature Range	105 °C[221 °F]

### Packaging Features

Packaging Quantity	500
Packaging Method	Box

### Other

Barrel Color	Blue
--------------	------

## Product Compliance

[For compliance documentation, visit the product page on TE.com>](#)

EU RoHS Directive 2011/65/EU	Compliant
EU ELV Directive 2000/53/EC	Compliant
China RoHS 2 Directive MIIT Order No 32, 2016	No Restricted Materials Above Threshold
EU REACH Regulation (EC) No. 1907/2006	Current ECHA Candidate List: JUNE 2022 (224) Candidate List Declared Against: JUNE 2022 (224) Does not contain REACH SVHC
Halogen Content	Low Halogen - Br, Cl, F, I < 900 ppm per homogenous material. Also BFR/CFR/PVC Free
Solder Process Capability	Not applicable for solder process capability

Product Compliance Disclaimer

This information is provided based on reasonable inquiry of our suppliers and represents our current actual knowledge based on the information they provided. This information is subject to change. The part numbers that TE has identified as EU RoHS compliant have a maximum concentration of 0.1% by weight in homogenous materials for lead, hexavalent chromium, mercury, PBB, PBDE, DBP, BBP, DEHP, DIBP, and 0.01% for cadmium, or qualify for an exemption to these limits as defined in the Annexes of Directive 2011/65/EU (RoHS2). Finished electrical and electronic equipment products will be CE marked as required by Directive 2011/65/EU. Components may not be CE marked. Additionally, the part numbers that TE has identified as EU ELV compliant have a maximum concentration of 0.1% by weight in homogenous materials for lead, hexavalent chromium, and mercury, and 0.01% for cadmium, or qualify for an exemption to these limits as defined in the Annexes of Directive 2000/53/EC (ELV). Regarding the REACH Regulation, the information TE provides on SVHC in articles for this part number is based on the latest European Chemicals Agency (ECHA) 'Guidance on requirements for substances in articles' posted at this URL: <https://echa.europa.eu/guidance-documents/guidance-on-reach>

## Compatible Parts



TE Part # 58433-3  
PRO CR ASSY, RBY IS9252



TE Part # 47387  
DAHT PG PIDG 20-14 ASSY



TE Part # 58423-1  
DIE, RBY IS9252



TE Part # 47387-7  
DAHT PG PIDG 16-12 ASSY



TE Part # 539691-2  
ERGO DIE R.B.Y



TE Part # 2063030-1  
SDE DIESET, RBY, UL



TE Part # 169400  
CERTI-LOK



TE Part # 1SET191001R0000  
CRIMP-HT

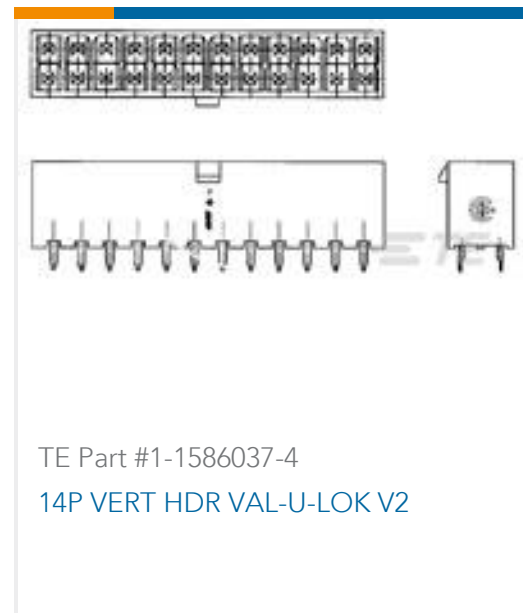


TE Part # 169404  
CERTI-LOK DIE

## Customers Also Bought



TE Part #5499160-3  
A/L UNIV HDR 16P VERT SHT LAT



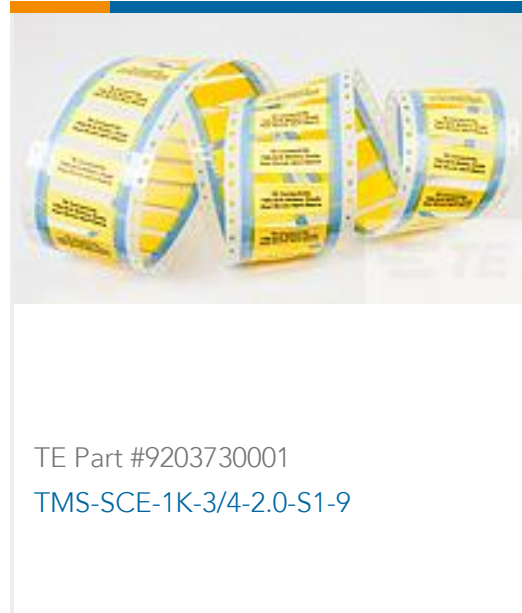
TE Part #1-1586037-4  
14P VERT HDR VAL-U-LOK V2



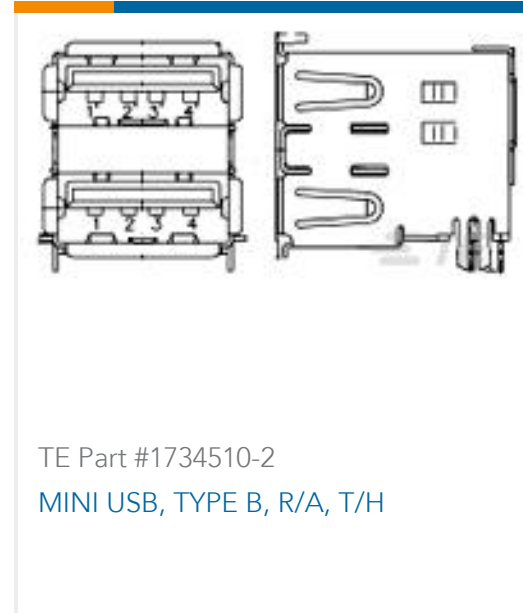
TE Part #6-1393144-6  
K10P-11D55-12=K10/K20



TE Part #1825264-2  
MSS4200G04=4PDT SL SW AU



TE Part #9203730001  
TMS-SCE-1K-3/4-2.0-S1-9



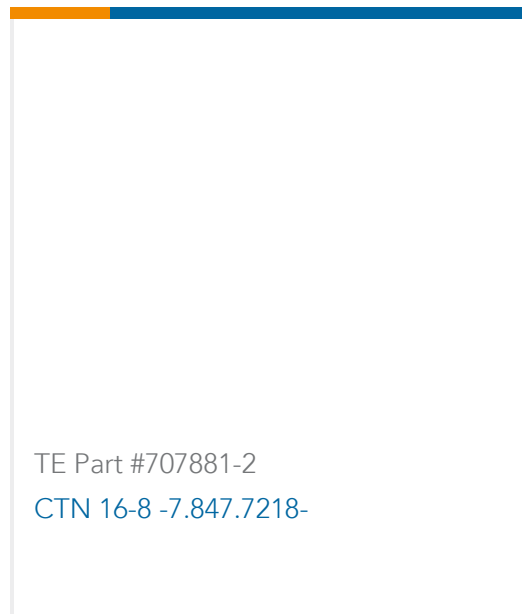
TE Part #1734510-2  
MINI USB, TYPE B, R/A, T/H



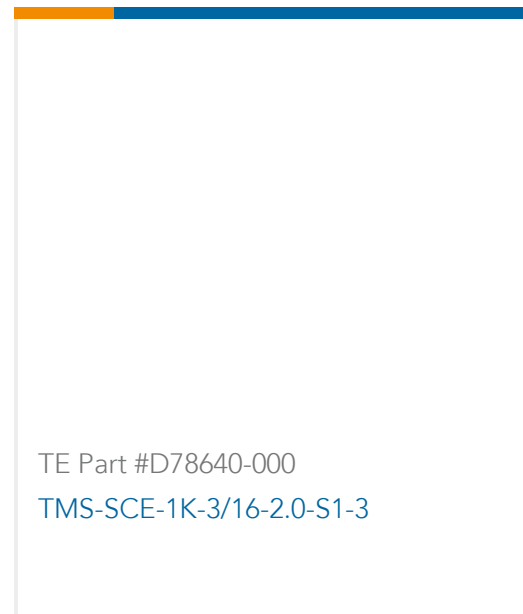
TE Part #9-2176280-7  
CPF 0402 4R0 0.1% 25ppm 1K RL



TE Part #A77997-000  
WP-508318-2.5-9



TE Part #707881-2  
CTN 16-8 -7.847.7218-



TE Part #D78640-000  
TMS-SCE-1K-3/16-2.0-S1-3

## Documents

### Product Drawings

[FASTON, PGYBCK, PIDG, PH BR, .250, 16-14](#)

English

### CAD Files

[3D PDF](#)

English

**Customer View Model**

[ENG\\_CVM\\_9-160463-5\\_F2.2d\\_dxf.zip](#)

English

**Customer View Model**

[ENG\\_CVM\\_9-160463-5\\_F2.3d\\_igs.zip](#)

English

**Customer View Model**

[ENG\\_CVM\\_9-160463-5\\_F2.3d\\_stp.zip](#)

English

[3D PDF](#)

3D



**Customer View Model**

[ENG\\_CVM\\_CVM\\_9-160463-5\\_S.2d\\_dxf.zip](#)

English

**Customer View Model**

[ENG\\_CVM\\_CVM\\_9-160463-5\\_S.3d\\_igs.zip](#)

English

**Customer View Model**

[ENG\\_CVM\\_CVM\\_9-160463-5\\_S.3d\\_stp.zip](#)

English

By downloading the CAD file I accept and agree to the [Terms and Conditions](#) of use.

**Product Environmental Compliance**

[MD\\_9-160463-5\\_0622201699\\_dmtec](#)

English

[MD\\_9-160463-5\\_0622201699\\_dmtec](#)

English