



Connectors > Terminal Blocks & Strips > PCB Terminal Blocks

Terminal Block Connector Type: **Header**Connector System: **Wire-to-Board**Number of Positions: **6**Centerline (Pitch): **5.08 mm [.2 in]**Number of Rows: **1**

Features

Product Type Features

Block Type	PCB Mount
Header Type	Fully Shrouded
Terminal Block Connector Type	Header
Connector System	Wire-to-Board
Connector & Contact Terminates To	Printed Circuit Board

Configuration Features

Threaded Flange	Without
Closed End	With
Number of Positions	6
Number of Rows	1

Electrical Characteristics

Current Rating (Max)	15 A
Voltage Rating	300 VAC

Body Features



Interlock	Without
-----------	---------

Contact Features

Contact Mating Area Plating Material	Tin
Contact Mount	Through Hole
Contact Mating Area Plating Thickness	6 – 7 μm
Contact Base Material	Phosphor Bronze
Contact Current Rating (Max)	15 A

Mechanical Attachment

Mating Angle	90°
Screwless Terminal Block	No
Mounting Angle	Right Angle
Screw Flange	Without
Connector Mounting Type	Board Mount

Housing Features

Housing Color	Green
Housing Material	PA 66
Centerline (Pitch)	5.08 mm [.2 in]

Dimensions

PCB Tail Length	3.5 mm [.138 in]
Wire Size	.05 – 3 mm ²

Usage Conditions

Operating Temperature Range	-40 – 105 °C [-40 – 221 °F]
-----------------------------	-----------------------------

Operation/Application

Circuit Application	Power & Signal
---------------------	----------------

Packaging Features

Packaging Method	Box
Packaging Quantity	100

Product Compliance

For compliance documentation, visit the product page on [TE.com](https://www.te.com)>

EU RoHS Directive 2011/65/EU	Compliant
------------------------------	-----------



EU ELV Directive 2000/53/EC	Compliant
China RoHS 2 Directive MIIT Order No 32, 2016	No Restricted Materials Above Threshold
EU REACH Regulation (EC) No. 1907/2006	Current ECHA Candidate List: JUNE 2022 (224) Candidate List Declared Against: JAN 2022 (223) SVHC > Threshold: Not Yet Reviewed
Halogen Content	Low Halogen - Br, Cl, F, I < 900 ppm per homogenous material. Also BFR/CFR/PVC Free
Solder Process Capability	Wave solder capable to 240°C

Product Compliance Disclaimer

This information is provided based on reasonable inquiry of our suppliers and represents our current actual knowledge based on the information they provided. This information is subject to change. The part numbers that TE has identified as EU RoHS compliant have a maximum concentration of 0.1% by weight in homogenous materials for lead, hexavalent chromium, mercury, PBB, PBDE, DBP, BBP, DEHP, DIBP, and 0.01% for cadmium, or qualify for an exemption to these limits as defined in the Annexes of Directive 2011/65/EU (RoHS2). Finished electrical and electronic equipment products will be CE marked as required by Directive 2011/65/EU. Components may not be CE marked. Additionally, the part numbers that TE has identified as EU ELV compliant have a maximum concentration of 0.1% by weight in homogenous materials for lead, hexavalent chromium, and mercury, and 0.01% for cadmium, or qualify for an exemption to these limits as defined in the Annexes of Directive 2000/53/EC (ELV). Regarding the REACH Regulation, the information TE provides on SVHC in articles for this part number is based on the latest European Chemicals Agency (ECHA) 'Guidance on requirements for substances in articles' posted at this URL: <https://echa.europa.eu/guidance-documents/guidance-on-reach>

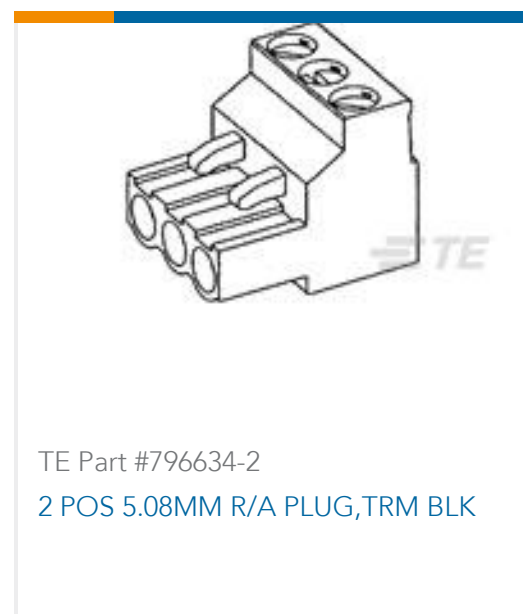
Compatible Parts

 <p>TE Part # 796634-6 6 POS 5.08MM R/A PLUG,TRM BLK</p>	 <p>TE Part # 284041-6 TERMINAL BLOCK VERTICAL PLUG S</p>	 <p>TE Part # 796635-6 6 POS 5.08MM R/A PLUG,TRM BLK</p>	 <p>TE Part # 1986262-6 6 POS PLUG SPRING CONN, PITCH 5.08</p>
 <p>TE Part # 284047-6 TERMI-BLOK VERTICAL PLUG STACK</p>	 <p>TE Part # 1776038-6 6P 5.08 R/A HDR,CLOSED END</p>	 <p>TE Part # 3-284041-1 TRMNL BLOK VT PLUG ST 6 POS SPL PRINT</p>	 <p>TE Part # 3-284041-2 TRMNL BLOK VT PLUG ST 6 POS SPL PRINT</p>

Customers Also Bought



TE Part #796638-3
3POS 5.08MM CE R/A HDR,TRM BLK



TE Part #796634-2
2 POS 5.08MM R/A PLUG,TRM BLK



TE Part #5-103414-2
04 MODII HDR SRST SHRD LF



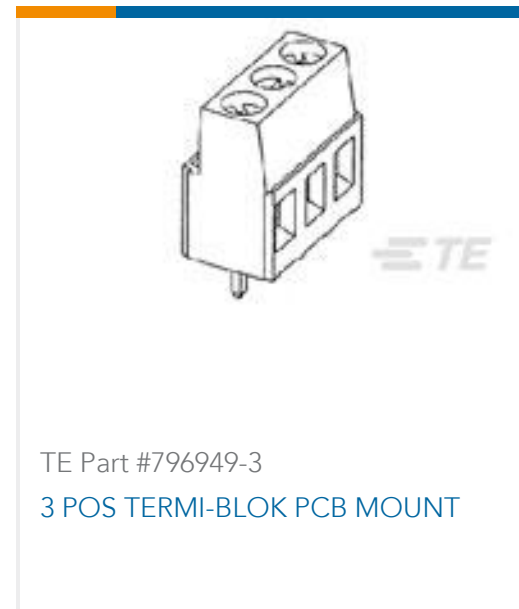
TE Part #5569564-1
MJ ASSY,R/A,8 POS,LED GRN&YELW



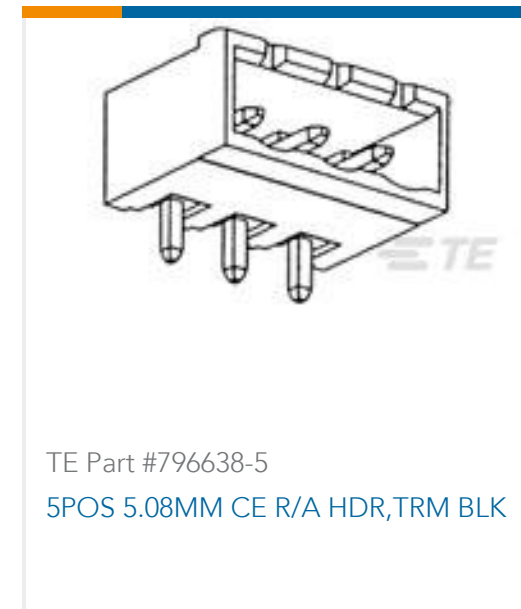
TE Part #1-1123724-3
3.96EP HDR ASSY 3(5)P NATURAL



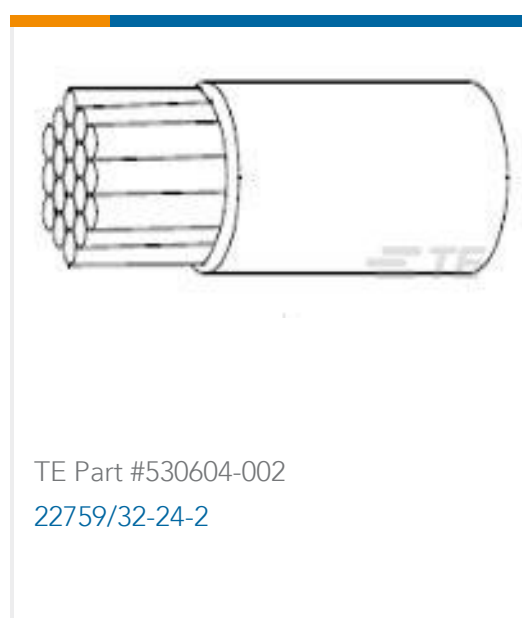
TE Part #796638-2
2POS 5.08MM CE R/A HDR,TRM BLK



TE Part #796949-3
3 POS TERMINI-BLOK PCB MOUNT



TE Part #796638-5
5POS 5.08MM CE R/A HDR,TRM BLK



TE Part #530604-002
22759/32-24-2

Documents

Product Drawings

[6POS 5.08MM CE R/A HDR,TRM BLK](#)

English

CAD Files

Customer View Model

[ENG_CVM_796638-6_C3.3d_igs.zip](#)

English

Customer View Model

[ENG_CVM_796638-6_C3.3d_stp.zip](#)

English

Customer View Model

[ENG_CVM_796638-6_C3.2d_dxf.zip](#)

English

[3D PDF](#)

English

[3D PDF](#)

3D



Customer View Model

[ENG_CVM_CVM_796638-6_C.2d_dxf.zip](#)

English

Customer View Model

[ENG_CVM_CVM_796638-6_C.3d_igs.zip](#)

English

Customer View Model

[ENG_CVM_CVM_796638-6_C.3d_stp.zip](#)

English

By downloading the CAD file I accept and agree to the [Terms and Conditions](#) of use.

Datasheets & Catalog Pages

[Eurostyle Terminal Blocks Focus Product Stock List](#)

English

[BUCHANAN TERMINAL BLOCKS CATALOG - EUROSTYLE TERMINAL BLOCKS](#)

English

[BUCHANAN PCB TERMINAL BLOCKS](#)

English

[1-1773458-1_EURO_STYLE_TERMINAL_BLOCKS_ORG](#)

English

Product Specifications

[Application Specification](#)

English

Product Environmental Compliance

[MD_796638-6_0829201138](#)

English

[MD_796638-6_0829201138](#)

English