



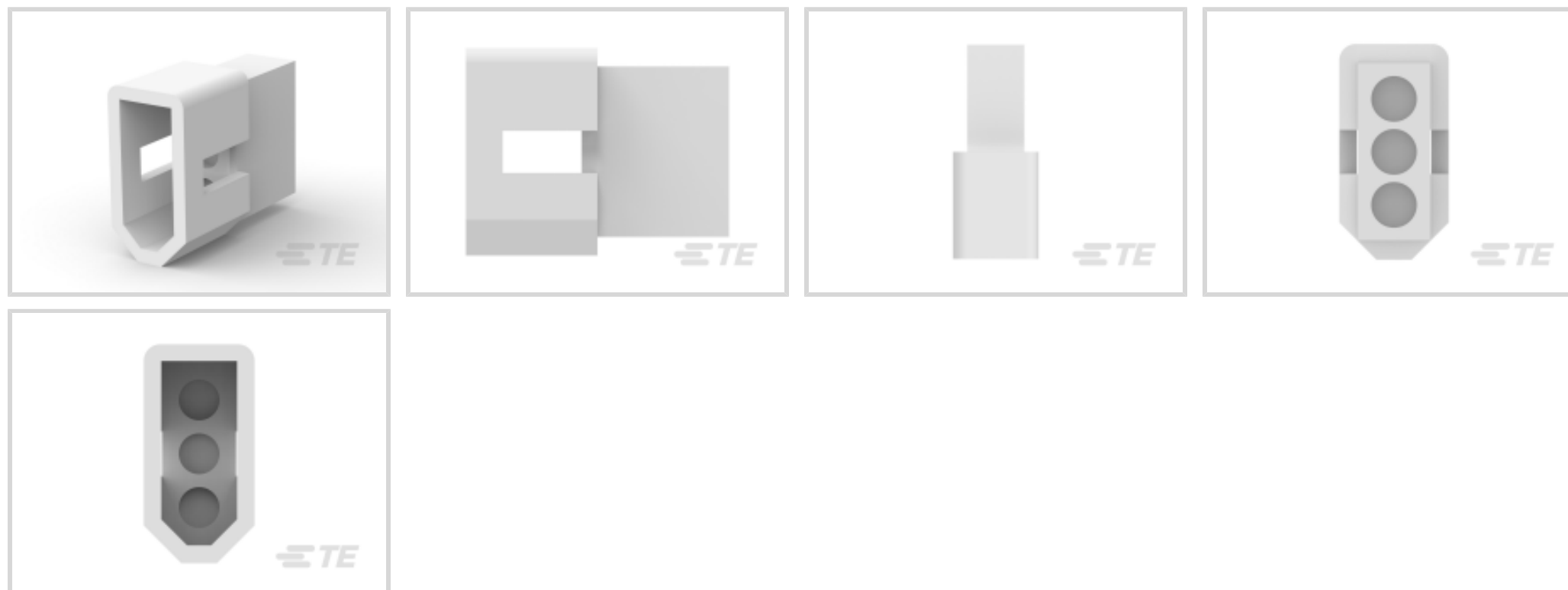
Commercial Pin and Socket Connectors

TE Internal #: 770331-1

Rectangular Power Connectors, Housing, Plug, Wire-to-Wire, 3 Position, .145 in [3.68 mm] Centerline, Commercial Pin and Socket Connectors

[View on TE.com >](#)

Connectors > Power Connectors > Rectangular Power > Rectangular Power Connectors



Rectangular Power Connector Type: **Housing**

Connector & Housing Type: **Plug**

Connector System: **Wire-to-Wire**

Number of Positions: **3**

Centerline (Pitch): **3.68 mm [.145 in]**

Features

Product Type Features

Rectangular Power Connector Type	Housing
Connector & Housing Type	Plug
Connector System	Wire-to-Wire
Sealable	No
Connector & Contact Terminates To	Wire & Cable

Configuration Features

Number of Positions	3
Number of Signal Positions	3
Number of Rows	1

Electrical Characteristics

Operating Voltage	250 VDC
-------------------	---------

Contact Features

Contact Layout	Inline
Multiple Contact Types	Without



Contact Retention Within Housing	Without
----------------------------------	---------

Contact Type	Pin
--------------	-----

Termination Features

Termination Method to Wire & Cable	Crimp
------------------------------------	-------

Wire/Cable Type	Discrete Wire
-----------------	---------------

Mechanical Attachment

Panel Mount Feature	Without
---------------------	---------

Connector Mounting Type	Cable Mount (Free-Hanging)
-------------------------	----------------------------

Housing Features

Centerline (Pitch)	3.68 mm[.145 in]
--------------------	------------------

Housing Color	Natural
---------------	---------

Housing Material	Nylon
------------------	-------

Dimensions

Wire Size	394.71 – 1776.17 CMA
-----------	----------------------

Row-to-Row Spacing	3.68 mm[.145 in]
--------------------	------------------

Width	12.5 mm[.5 in]
-------	----------------

Accepts Wire Insulation Diameter Range	1.27 – 2.79 mm[.05 – .11 in]
--	------------------------------

Height	7.62 mm[.3 in]
--------	----------------

Length	19.3 mm[.76 in]
--------	-----------------

Usage Conditions

Operating Temperature Range	-55 – 105 °C[-67 – 221 °F]
-----------------------------	----------------------------

Insertion Force	17.8 Newton
-----------------	-------------

Operation/Application

Circuit Application	Power & Signal
---------------------	----------------

Industry Standards

UL Flammability Rating	UL 94V-2
------------------------	----------

Glow Wire Rating	Standard Part - Not Glow Wire
------------------	-------------------------------

Agency/Standard Number	E28476
------------------------	--------

Agency/Standard	CSA, UL
-----------------	---------

UL Rating	Recognized
-----------	------------

CSA File Number	LR7189
-----------------	--------

VDE Tested	No
------------	----

Packaging Features

Packaging Method	Package
Packaging Quantity	1

Product Compliance

For compliance documentation, visit the product page on [TE.com](#)>

EU RoHS Directive 2011/65/EU	Compliant
EU ELV Directive 2000/53/EC	Compliant
China RoHS 2 Directive MIIT Order No 32, 2016	No Restricted Materials Above Threshold
EU REACH Regulation (EC) No. 1907/2006	Current ECHA Candidate List: JUNE 2022 (224) Candidate List Declared Against: JAN 2022 (223) SVHC > Threshold: Not Yet Reviewed
Halogen Content	Low Halogen - Br, Cl, F, I < 900 ppm per homogenous material. Also BFR/CFR/PVC Free
Solder Process Capability	Not applicable for solder process capability

Product Compliance Disclaimer

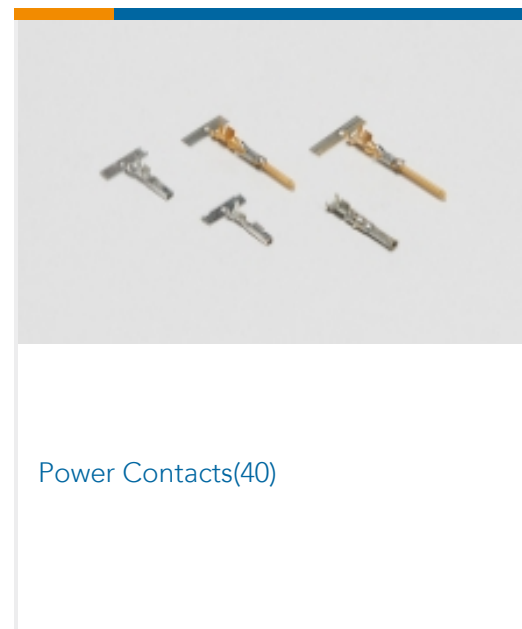
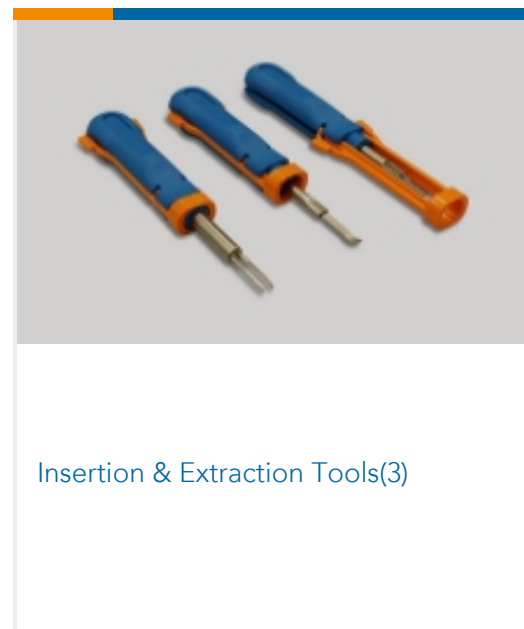
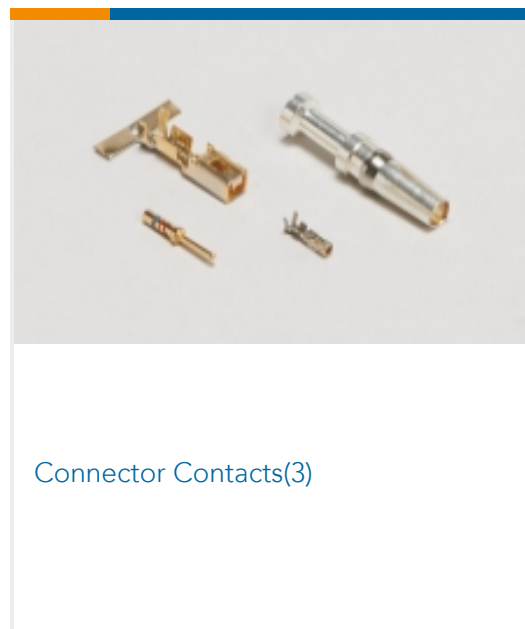
This information is provided based on reasonable inquiry of our suppliers and represents our current actual knowledge based on the information they provided. This information is subject to change. The part numbers that TE has identified as EU RoHS compliant have a maximum concentration of 0.1% by weight in homogenous materials for lead, hexavalent chromium, mercury, PBB, PBDE, DBP, BBP, DEHP, DIBP, and 0.01% for cadmium, or qualify for an exemption to these limits as defined in the Annexes of Directive 2011/65/EU (RoHS2). Finished electrical and electronic equipment products will be CE marked as required by Directive 2011/65/EU. Components may not be CE marked. Additionally, the part numbers that TE has identified as EU ELV compliant have a maximum concentration of 0.1% by weight in homogenous materials for lead, hexavalent chromium, and mercury, and 0.01% for cadmium, or qualify for an exemption to these limits as defined in the Annexes of Directive 2000/53/EC (ELV). Regarding the REACH Regulation, the information TE provides on SVHC in articles for this part number is based on the latest European Chemicals Agency (ECHA) 'Guidance on requirements for substances in articles' posted at this URL: <https://echa.europa.eu/guidance-documents/guidance-on-reach>

Compatible Parts

 <p>TE Part # 770333-1 03P .062 COMM P&S RECPT</p>	 <p>TE Part # 350629-5 .062 COMM P&S PIN AUNI/BR</p>	 <p>TE Part # 350628-5 .062 COMM P&S SOK AUNI/BR</p>	 <p>TE Part # 640391-1 .062 COMM P&S PIN 24-30 PTPBR</p>
---	--	---	---



Also in the Series | Commercial Pin and Socket Connectors





Rectangular Connector Housings(11)



Rectangular Power Connectors(88)



Standard Rectangular Connectors(4)

Customers Also Bought



TE Part #770278-1
01P .062 COMM P&S PLUG



TE Part #1-480340-0
06P CMNL CAP HSG F/H NATL



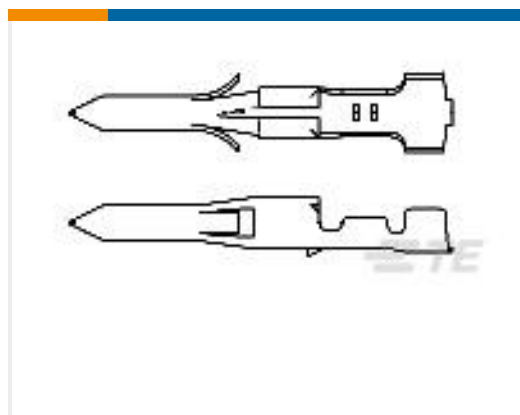
TE Part #53894-4
HSG ASSY,PWR LK,SRS1,1 POS,RED



TE Part #60249-2
FF 250 REC 16-12AWG TPBR



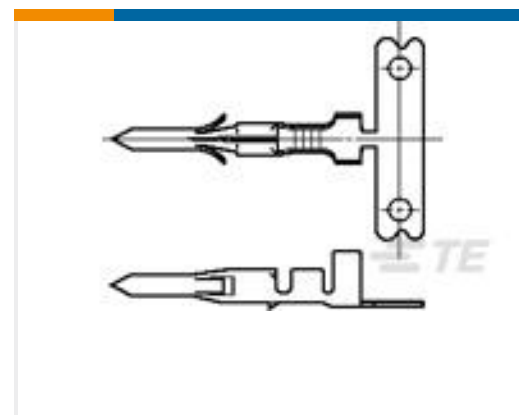
TE Part #770356-1
06P .062 COMM P&S RECPT



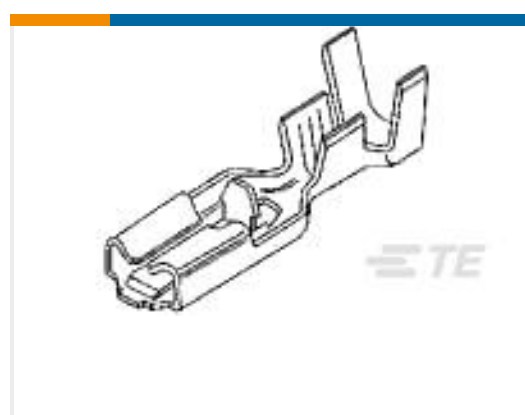
TE Part #794018-1
.062 CP&S PIN PTPBR L/P 30-24



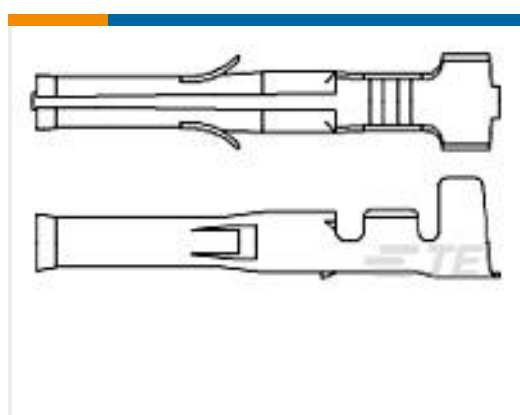
TE Part #454276-5
FLOATING SHEAR



TE Part #794017-1
.062 CP&S PIN PTPBR L/P 24-18



TE Part #63313-1
PL 187 RECEPTACLE 20-16 AWG TPBR



TE Part #794016-1
.062 CP&S SOK PTPBR L/P 24-18

Documents

Product Drawings

[03P .062 COMM P&S PLUG](#)

English

CAD Files

[3D PDF](#)

English

Customer View Model

[ENG_CVM_770331-1_D.2d_dxf.zip](#)



English

Customer View Model

[ENG_CVM_770331-1_D.3d_igs.zip](#)

English

Customer View Model

[ENG_CVM_770331-1_D.3d_stp.zip](#)

English

3D PDF

3D

Customer View Model

[ENG_CVM_CVM_770331-1_E.2d_dxf.zip](#)

English

Customer View Model

[ENG_CVM_CVM_770331-1_E.3d_igs.zip](#)

English

Customer View Model

[ENG_CVM_CVM_770331-1_E.3d_stp.zip](#)

English

By downloading the CAD file I accept and agree to the [Terms and Conditions](#) of use.

Datasheets & Catalog Pages

[SOFT_SHELL_PIN_AND_SOCKET_CONNECTORS_CATALOG](#)

English

Product Specifications

[Application Specification](#)

English

Product Environmental Compliance

[MD_770331-1_060820181147_dmtec](#)

English

[MD_770331-1_060820181147_dmtec](#)

English

Agency Approvals

[Agency Approval Document](#)

English