



Connectors > Power Connectors > Power Contacts

Power Contact Type: **Contact**Operating Voltage: **600 VAC**Contact Mating Area Plating Material: **Pre-Tin**Wire Size: **3.31 – 5.26 mm²**

Features

Product Type Features

Power Contact Type	Contact
Connector System	Wire-to-Wire
Connector & Contact Terminates To	Wire & Cable

Electrical Characteristics

Operating Voltage	600 VAC
-------------------	---------

Contact Features

Contact Mating Area Plating Material	Pre-Tin
Contact Current Rating (Max)	19 A
Contact Type	Pin
Contact Retention Within Housing	With
Mating Pin Diameter	2.13 mm [.084 in]
Contact Base Material	Phosphor Bronze
Wire Contact Termination Area Plating Material	Pre-Tin
Wire Contact Termination Area Plating Material Finish	Matte
Contact Orientation	Straight



Termination Features

Termination Method to Wire & Cable	Crimp
------------------------------------	-------

Mechanical Attachment

Contact Retention Type Within Housing	Locking Lance
Connector Mounting Type	Cable Mount (Free-Hanging)
Wire Insulation Support	Without

Dimensions

Wire Size	3.31 – 5.26 mm ²
Accepts Wire Insulation Diameter Range	5.08 mm [.2 in]

Usage Conditions

Operating Temperature Range	-55 – 125 °C [-67 – 257 °F]
-----------------------------	-----------------------------

Industry Standards

CSA Rating	Certified
Glow Wire Rating	Standard Part - Not Glow Wire
VDE Tested	Yes
Agency/Standard	CSA, UL
CSA File Number	LR 7189
UL Rating	Recognized
UL File Number	E28476

Packaging Features

Packaging Method	Reel
Packaging Quantity	3000

Other

Wire/Cable Type	Discrete Wire
Wire Type	Stranded
For Use With	Universal MATE-N-LOK Plug or Cap Housing

Product Compliance

[For compliance documentation, visit the product page on TE.com>](#)

EU RoHS Directive 2011/65/EU	Compliant
EU ELV Directive 2000/53/EC	Compliant



China RoHS 2 Directive MIIT Order No 32, 2016	No Restricted Materials Above Threshold
EU REACH Regulation (EC) No. 1907/2006	Current ECHA Candidate List: JUNE 2022 (224) Candidate List Declared Against: JAN 2022 (223) SVHC > Threshold: Not Yet Reviewed
Halogen Content	Low Halogen - Br, Cl, F, I < 900 ppm per homogenous material. Also BFR/CFR/PVC Free
Solder Process Capability	Not applicable for solder process capability

Product Compliance Disclaimer

This information is provided based on reasonable inquiry of our suppliers and represents our current actual knowledge based on the information they provided. This information is subject to change. The part numbers that TE has identified as EU RoHS compliant have a maximum concentration of 0.1% by weight in homogenous materials for lead, hexavalent chromium, mercury, PBB, PBDE, DBP, BBP, DEHP, DIBP, and 0.01% for cadmium, or qualify for an exemption to these limits as defined in the Annexes of Directive 2011/65/EU (RoHS2). Finished electrical and electronic equipment products will be CE marked as required by Directive 2011/65/EU. Components may not be CE marked. Additionally, the part numbers that TE has identified as EU ELV compliant have a maximum concentration of 0.1% by weight in homogenous materials for lead, hexavalent chromium, and mercury, and 0.01% for cadmium, or qualify for an exemption to these limits as defined in the Annexes of Directive 2000/53/EC (ELV). Regarding the REACH Regulation, the information TE provides on SVHC in articles for this part number is based on the latest European Chemicals Agency (ECHA) 'Guidance on requirements for substances in articles' posted at this URL: <https://echa.europa.eu/guidance-documents/guidance-on-reach>

Compatible Parts



TE Part # 91500-1
CCII UNML UNML II PIN SKT 20-14 ASSY



TE Part # 539972-1
EXTRACTION TOOL



TE Part # 1804030-1
EXTRACTION TOOL ASSY



TE Part # 455830-1
INSERTION TOOL



TE Part # 1-480705-2
06P UNML CAP HSG RED



TE Part # 350784-1
15P UMNL CAP HSG



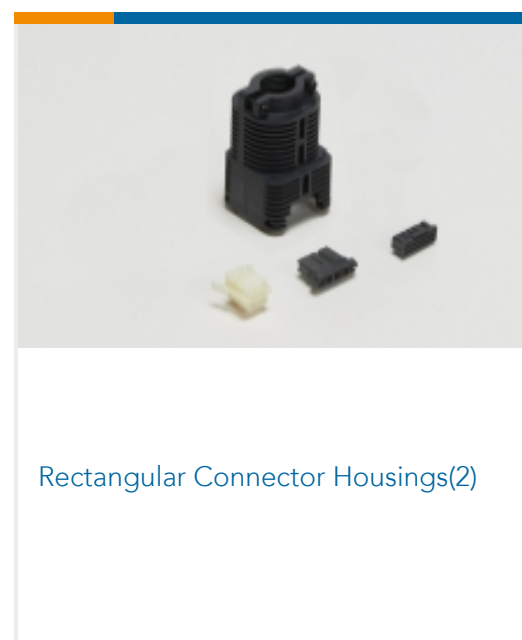
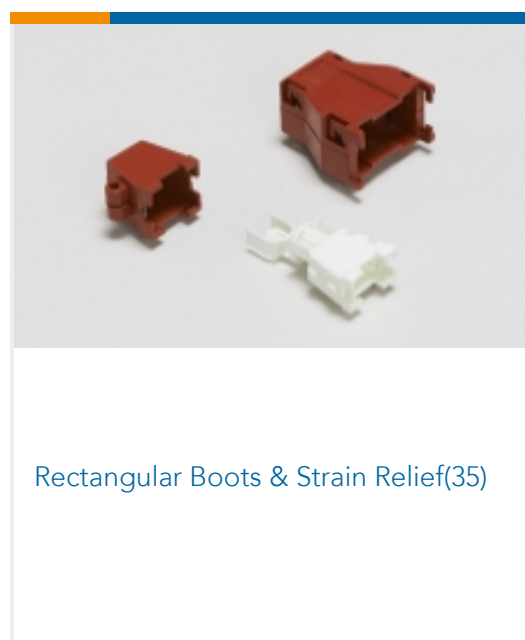
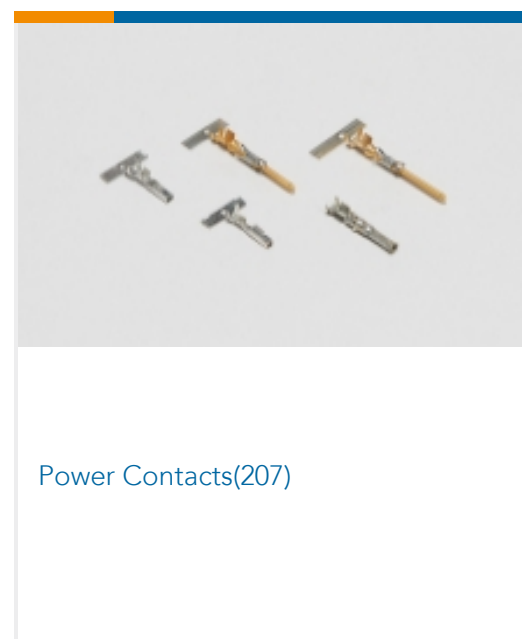
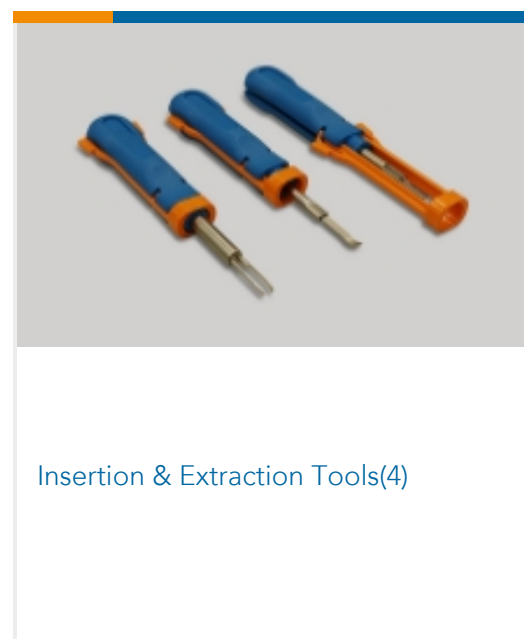
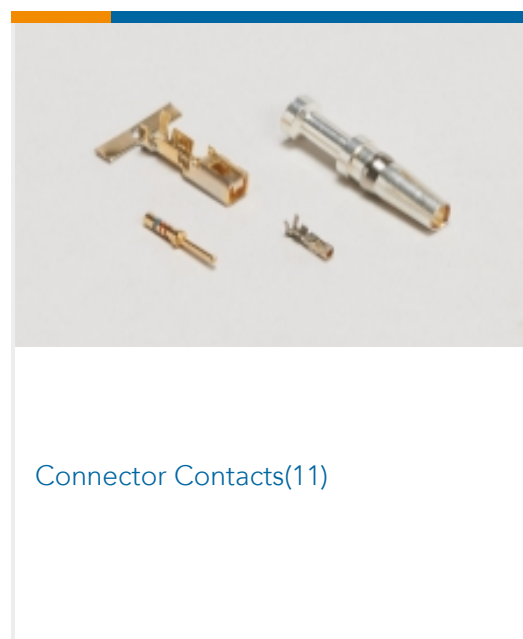
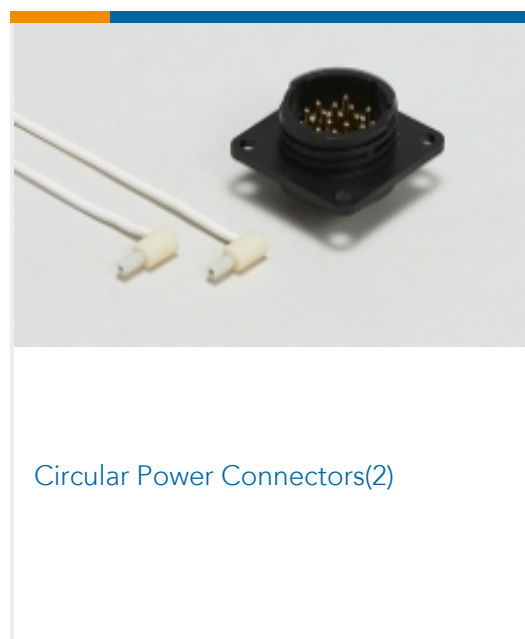
TE Part # 926307-3
6P UN-MNL AUFN-GEH



TE Part # 1-480704-2
06P UMNL PLUG HSG RED



Also in the Series | **Universal MATE-N-LOK**

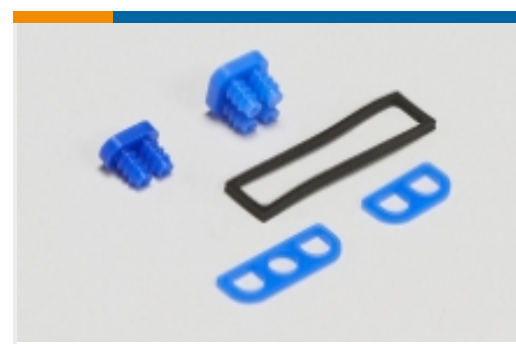




Rectangular Connector Keying Plugs(3)



Rectangular Connector Locking(4)

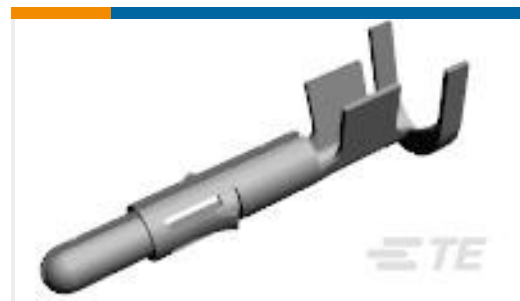
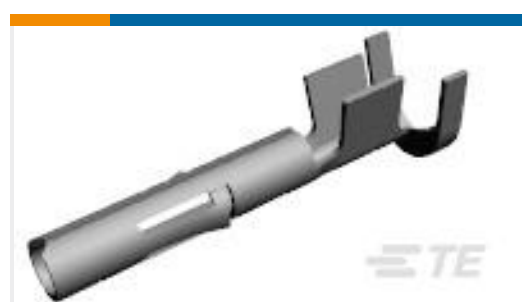
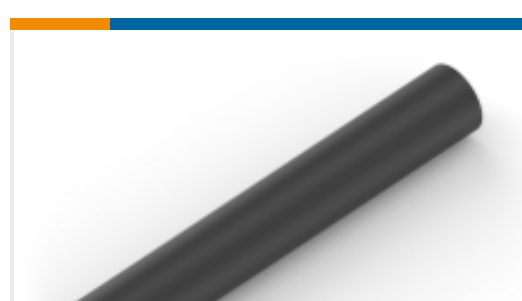


Rectangular Connector Seals(26)



Rectangular Power Connectors(729)

Customers Also Bought

TE Part #770673-1
UMNL SOK 30-26 PTPBR L/PTE Part #350918-3
UMNL PIN 18-14 PTPPHBZTE Part #770028-1
09P UMNLII IN-LINE CAP HSG KITTE Part #350766-1
03P UMNL PLUG HSGTE Part #350874-3
UMNL SOK 18-14 .0125 PTPPHBZTE Part #6-102398-8
40 AMPMODU MT ASSY DR .100CLTE Part #5-2232265-3
PTL 1X3 PLUG HSG GLW WIRE KEY A
DGRTE Part #HD34-18-14SE-059
REC,14P,AL,E, CBL CLMP BT, DRAIN,
16,S,MCTE Part #NB14932001
DWP-125-3/8-0-STK

Documents

Product Drawings

CAD Files

[3D PDF](#)

[3D](#)

Customer View Model

[ENG_CVM_CVM_770234-3_K.2d_dxf.zip](#)

English

Customer View Model



[ENG_CVM_CVM_770234-3_K.3d_igs.zip](#)

English

Customer View Model

[ENG_CVM_CVM_770234-3_K.3d_stp.zip](#)

English

Customer View Model

[ENG_CVM_770234-3_C.3d_igs.zip](#)

English

Customer View Model

[ENG_CVM_770234-3_C.3d_stp.zip](#)

English

Customer View Model

[ENG_CVM_770234-3_C.2d_dxf.zip](#)

English

3D PDF

English

By downloading the CAD file I accept and agree to the [Terms and Conditions](#) of use.

Datasheets & Catalog Pages

[SOFT_SHELL_PIN_SOCKET_CONNECTORS_STANDARD_DENSITY](#)

English

Product Specifications

[Application Specification](#)

English

Product Environmental Compliance

[TE Material Declaration](#)

English