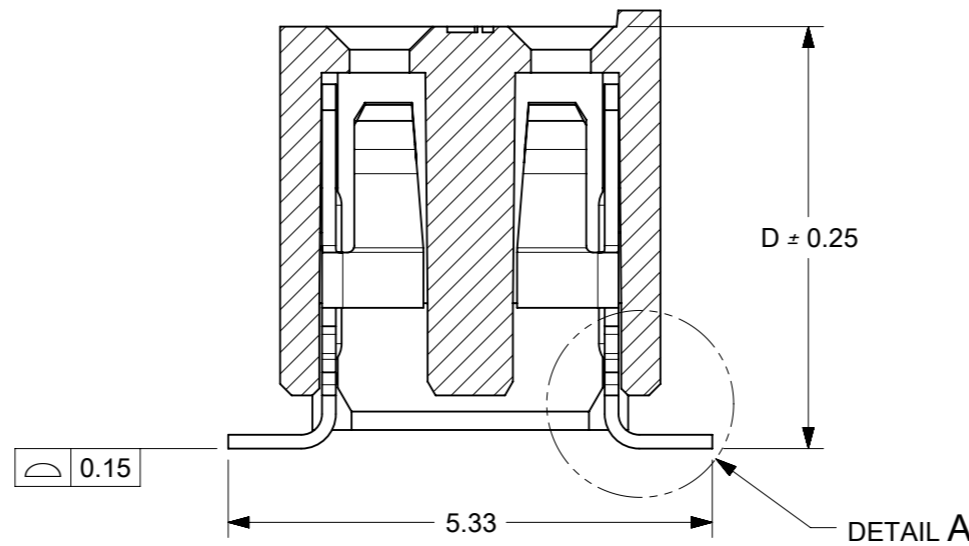
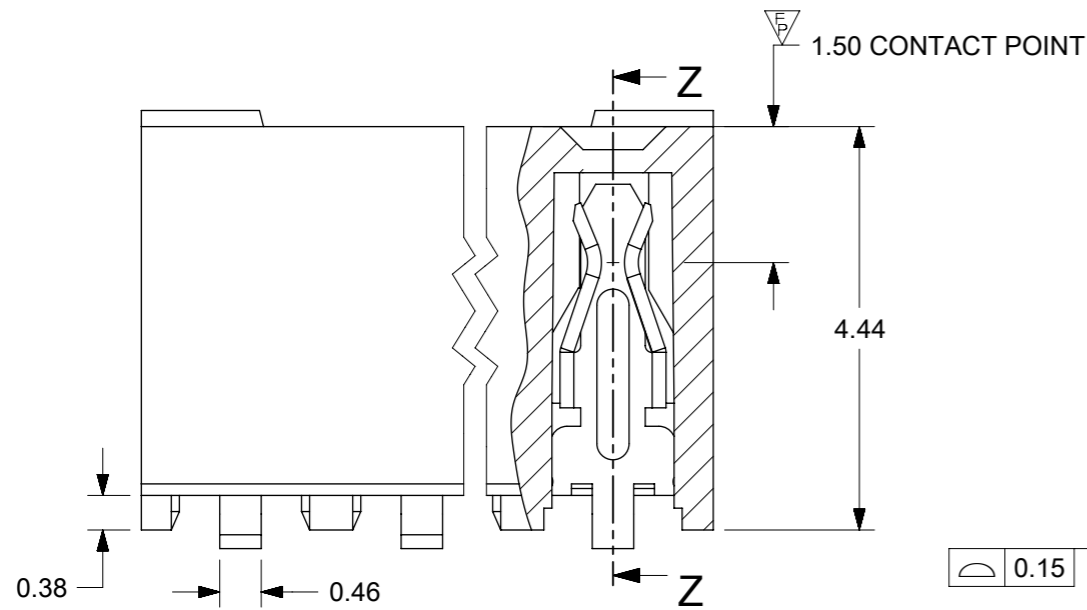


RECOMMENDED PCB PAD LAYOUT

**NOTES:**

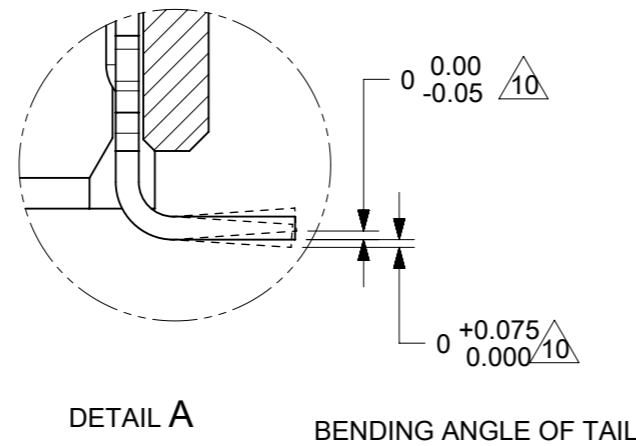
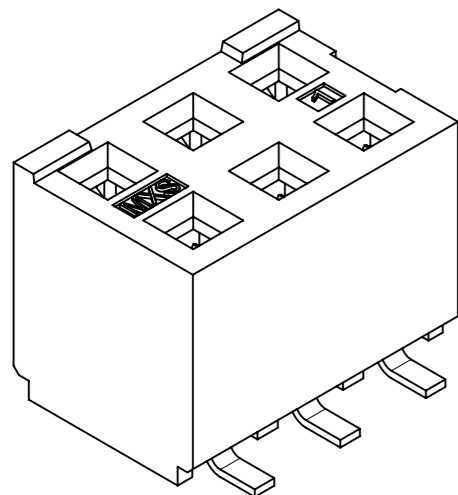
1. HOUSING MATERIAL:  
LCP, GLASS FILLED, UL 94V-0  
COLOUR BLACK.
2. TERMINAL MATERIAL:  
PHOSPHOR BRONZE
3. SEE APPROPRIATE SHEET FOR CIRCUIT SIZE,  
PART NUMBERS AND OVERALL DIMENSIONS.
4. FOR ILLUSTRATION, 6 CKT ASSY SHOWN.
5. REFER TO PRODUCT SPEC PS-79107.
6. TUBE PACKAGING PER PK-70873-0217 OR  
TAPE PACKAGING PER PK-70873-0259
7. SEE FROM SHT 4 FOR PEG OPTION ASSEMBLIES.
8. CKT LOCATIONS ARE NUMBERED FROM LEFT TO  
RIGHT WHEN VIEWING ASSY FROM TOP WITH  
THE GATE RECESS ON THE RIGHT AS SHOWN.
9. SEE SHT 3, 7 & 9 FOR VOIDED CIRCUIT PART NUMBERS.
10. MEASUREMENT IS TAKEN BETWEEN THE TANGENT OF  
THE TOE TO TIP OF THE TERMINAL.



SECTION Z-Z

**PLATING OPTION:**

- (4). 30µin (0.75µm) MIN. GOLD PLATE IN SELECTED AREA AND  
75µin (1.88µm) MIN. TIN IN SELECTED AREA OVER  
50µin (1.25µm) MIN. NICKEL OVER-ALL.
- (5). 15µin (0.38µm) MIN. GOLD PLATE IN SELECTED AREA AND  
75µin (1.88µm) MIN. TIN IN SELECTED AREA OVER  
50µin (1.25µm) MIN. NICKEL OVER-ALL.
- (6). 5µin (0.13µm) MIN. GOLD PLATE IN SELECTED AREA AND  
75µin (1.88µm) MIN. TIN IN SELECTED AREA OVER  
50µin (1.25µm) MIN. NICKEL OVER-ALL.

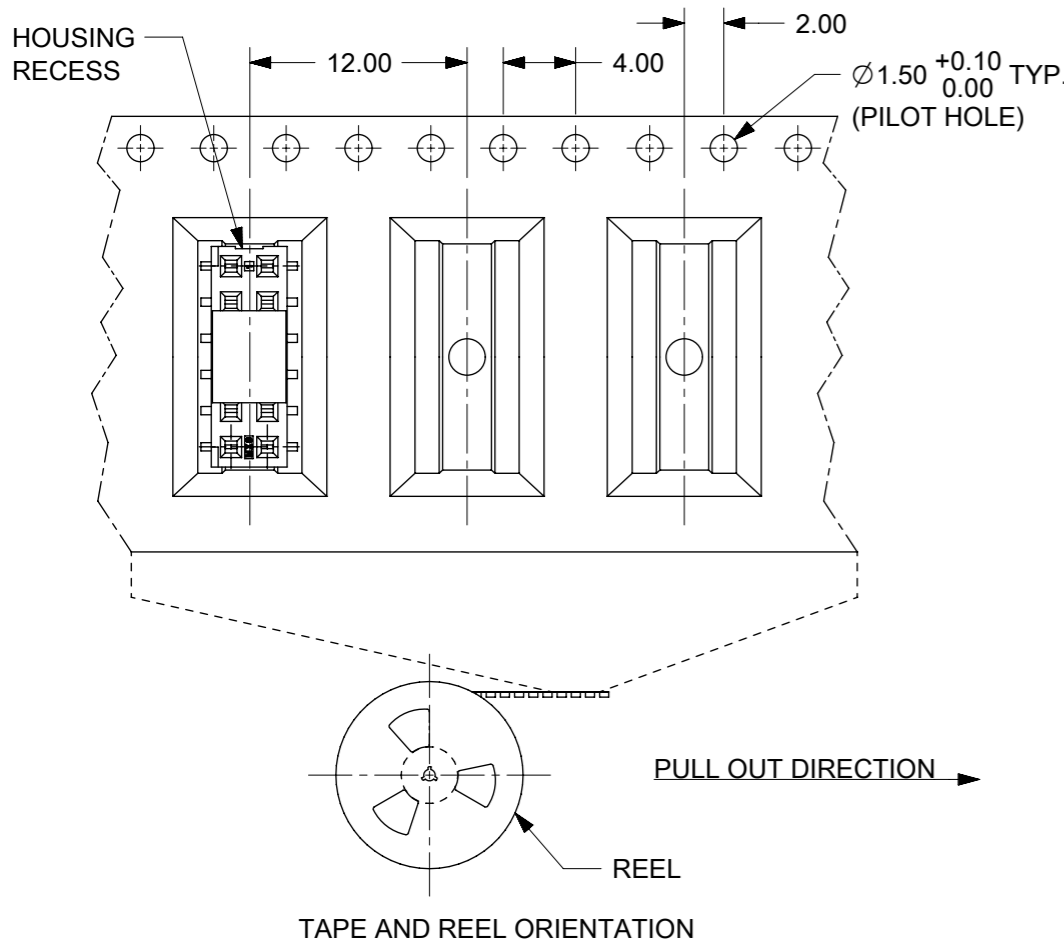


THIS DRAWING CONTAINS INFORMATION THAT IS PROPRIETARY TO MOLEX ELECTRONIC TECHNOLOGIES, LLC AND SHOULD NOT BE USED WITHOUT WRITTEN PERMISSION

|   |            |            |            |  |          |                 |      |                        |            |   |                          |  |  |
|---|------------|------------|------------|--|----------|-----------------|------|------------------------|------------|---|--------------------------|--|--|
| EC NO: 625618<br>DRWN: ABABUPS<br>CHK'D: MRAMAKRISHNA<br>REV APPR: MRAMAKRISHNA | 2019/10/14 | 2019/10/15 | 2019/10/15 | GENERAL TOLERANCES (UNLESS SPECIFIED)                |          | DIMENSION UNITS |      | SCALE                  |            |   |                          |  |  |
|   |            |            |            |  | MM       | INCH            | MM   | NTS                    |            |   |                          |  |  |
|   |            |            |            |  | 4 PLACES | ±               | ±    | DRWN BY                | DATE       | 2MM DUAL ROW<br>VERTICAL RECEPTACLE, SMT                                |                          |  |  |
|   |            |            |            |  | 3 PLACES | ±               | ±    | AAB                    | 1989/05/15 |   |                          |  |  |
|   |            |            |            |  | 2 PLACES | ±               | 0.25 | ±                      | CHK'D BY   | DATE  | PRODUCT CUSTOMER DRAWING |  |  |
|   |            |            |            | 1 PLACES   | ±        | 0.38            | ±    | MJM                    | 1989/05/15 |   |                          |  |  |
|   |            |            |            | 0 PLACES   | ±        | ±               | ±    | APPR BY                | DATE       | SERIES: 79109<br>MATERIAL NUMBER: SEE TABLE<br>CUSTOMER: GENERAL MARKET |                          |  |  |
|   |            |            |            | ANGULAR TOL = 3.0                                    |          | DRAWING SIZE    |      | THIRD ANGLE PROJECTION |            |   |                          |  |  |
|   |            |            |            | DRAFT WHERE APPLICABLE MUST REMAIN WITHIN DIMENSIONS |          |                 |      | A3                     |            |   |                          | DOCUMENT NUMBER: SDA-79109-XXXX<br>DOC TYPE: PSD<br>DOC PART: 001<br>SHEET NUMBER: 1 OF 10 |  |

|                |              |
|----------------|--------------|
| RELEASE STATUS | RELEASE DATE |
|----------------|--------------|

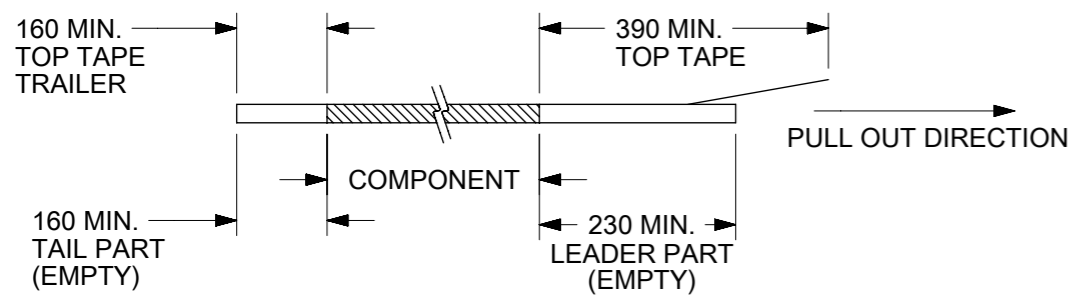
## WITHOUT PEG OPTION



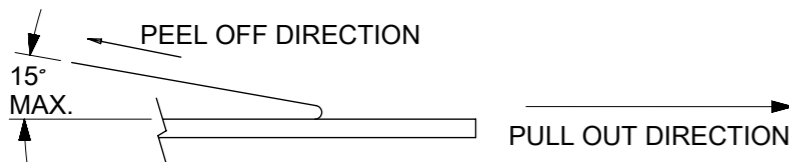
| CKT. SIZE | DIM. "A" | DIM. "B" | DIM. "D" | PLATING OPTION 5                   |                                 | PLATING OPTION 4                   |                                 | PLATING OPTION 6                   |                                 |
|-----------|----------|----------|----------|------------------------------------|---------------------------------|------------------------------------|---------------------------------|------------------------------------|---------------------------------|
|           |          |          |          | ITEM NO. TUBE PACKED (WITHOUT CAP) | ITEM NO. TAPE PACKED (WITH CAP) | ITEM NO. TUBE PACKED (WITHOUT CAP) | ITEM NO. TAPE PACKED (WITH CAP) | ITEM NO. TUBE PACKED (WITHOUT CAP) | ITEM NO. TAPE PACKED (WITH CAP) |
| 04        | 2.00     | 4.19     | 4.65     | 79109-1001                         | 79109-8401                      | 79109-1051                         | 79109-8451                      | 79109-1101                         | -                               |
| 06        | 4.00     | 6.19     | 4.65     | 79109-1002                         | 79109-8402                      | 79109-1052                         | 79109-8452                      | 79109-1102                         | -                               |
| 08        | 6.00     | 8.19     | 4.65     | 79109-1003                         | 79109-8403                      | 79109-1053                         | 79109-8453                      | 79109-1103                         | -                               |
| 10        | 8.00     | 10.19    | 4.65     | 79109-1004                         | 79109-8404                      | 79109-1054                         | 79109-8454                      | 79109-1104                         | -                               |
| 12        | 10.00    | 12.19    | 4.65     | 79109-1005                         | 79109-8405                      | 79109-1055                         | 79109-8455                      | 79109-1105                         | -                               |
| 14        | 12.00    | 14.19    | 4.65     | 79109-1006                         | 79109-8406                      | 79109-1056                         | 79109-8456                      | 79109-1106                         | -                               |
| 16        | 14.00    | 16.19    | 4.65     | 79109-1007                         | 79109-8407                      | 79109-1057                         | 79109-8457                      | 79109-1107                         | -                               |
| 18        | 16.00    | 18.19    | 4.65     | 79109-1008                         | 79109-8408                      | 79109-1058                         | 79109-8458                      | 79109-1108                         | -                               |
| 20        | 18.00    | 20.19    | 4.65     | 79109-1009                         | 79109-8409                      | 79109-1059                         | 79109-8459                      | 79109-1109                         | -                               |
| 22        | 20.00    | 22.19    | 4.65     | 79109-1010                         | 79109-8410                      | 79109-1060                         | 79109-8460                      | 79109-1110                         | -                               |
| 24        | 22.00    | 24.19    | 4.65     | 79109-1011                         | 79109-8411                      | 79109-1061                         | 79109-8461                      | 79109-1111                         | -                               |
| 26        | 24.00    | 26.19    | 4.65     | 79109-1012                         | 79109-8412                      | 79109-1062                         | 79109-8462                      | 79109-1112                         | -                               |
| 28        | 26.00    | 28.19    | 4.65     | 79109-1013                         | 79109-8413                      | 79109-1063                         | 79109-8463                      | 79109-1113                         | -                               |
| 30        | 28.00    | 30.19    | 4.65     | 79109-1014                         | 79109-8414                      | 79109-1064                         | 79109-8464                      | 79109-1114                         | -                               |
| 32        | 30.00    | 32.19    | 4.65     | 79109-1015                         | 79109-8415                      | 79109-1065                         | 79109-8465                      | 79109-1115                         | -                               |
| 34        | 32.00    | 34.19    | 4.65     | 79109-1016                         | 79109-8416                      | 79109-1066                         | 79109-8466                      | 79109-1116                         | -                               |
| 36        | 34.00    | 36.19    | 4.65     | 79109-1017                         | 79109-8417                      | 79109-1067                         | 79109-8467                      | 79109-1117                         | -                               |
| 38        | 36.00    | 38.19    | 4.65     | 79109-1018                         | 79109-8418                      | 79109-1068                         | 79109-8468                      | 79109-1118                         | -                               |
| 40        | 38.00    | 40.19    | 4.65     | 79109-1019                         | 79109-8419                      | 79109-1069                         | 79109-8469                      | 79109-1119                         | -                               |
| 42        | 40.00    | 42.19    | 4.65     | 79109-1020                         | 79109-8420                      | 79109-1070                         | 79109-8470                      | 79109-1120                         | -                               |
| 44        | 42.00    | 44.19    | 4.65     | 79109-1021                         | 79109-8421                      | 79109-1071                         | 79109-8471                      | 79109-1121                         | -                               |
| 46        | 44.00    | 46.19    | 4.65     | 79109-1022                         | 79109-8422                      | 79109-1072                         | 79109-8472                      | 79109-1122                         | -                               |
| 48        | 46.00    | 48.19    | 4.65     | 79109-1023                         | 79109-8423                      | 79109-1073                         | 79109-8473                      | 79109-1123                         | -                               |
| 50        | 48.00    | 50.19    | 4.65     | 79109-1024                         | 79109-8424                      | 79109-1074                         | 79109-8474                      | 79109-1124                         | -                               |

"X" INDICATES TOOLING NOT AVAILABLE.

- NOTES:  
1. LEADER AND TRAILER TAPE.



2. PEELING OFF FORCE OF THE TOP TAPE: 20-80gf.  
(PEELING DIRECTION AS SHOWN IN FOLLOWING FIGURE)



3. PACKAGING STANDARD IS AS PER EIA-481.  
4. TAPE & REEL QUANTITY = 500 PCS/REEL

## SPECIAL PACKAGING (TAPE PACKED WITHOUT CAP)

| CKT. SIZE | DIM. "A" | DIM. "B" | DIM. "D" | ITEM NO.   | PLATING OPTION SEE SHEET 1 |
|-----------|----------|----------|----------|------------|----------------------------|
| 06        | 4.00     | 6.19     | 4.65     | 79109-9004 | 5                          |
| 20        | 18.00    | 20.19    | 4.65     | 79109-9005 | 5                          |
| 50        | 48.00    | 50.19    | 4.65     | 79109-9006 | 5                          |
| 34        | 32.00    | 34.19    | 4.65     | 79109-9007 | 5                          |

THIS DRAWING CONTAINS INFORMATION THAT IS PROPRIETARY TO MOLEX ELECTRONIC TECHNOLOGIES, LLC AND SHOULD NOT BE USED WITHOUT WRITTEN PERMISSION

|   |                   |                                       |                |                        |                          |  |            |
|---|-------------------|---------------------------------------|----------------|------------------------|--------------------------|--|------------|
| EC NO: 625618<br>DRWN: ABABUPS<br>CHK'D: MRAMAKRISHNA<br>REV APPR: MRAMAKRISHNA | 2019/10/14        | GENERAL TOLERANCES (UNLESS SPECIFIED) |                | DIMENSION UNITS        | SCALE                    |  |            |
|   | 2019/10/15        | MM                                    | INCH           | MM                     | NTS                      |  |            |
|   | 2019/10/15        | 4 PLACES ±                            | ±              | AAB                    | DATE                     |  | 1989/05/15 |
|   | 2019/10/15        | 3 PLACES ±                            | ±              | CHK'D BY               | DATE                     |  | 1989/05/15 |
| 2019/10/15  | 2 PLACES ±        | 0.25                                  | ±              | MJM                    | DATE                     | 2MM DUAL ROW<br>VERTICAL RECEPTACLE, SMT |            |
| 2019/10/15  | 1 PLACES ±        | 0.38                                  | ±              | APPR BY                | DATE                     |  |            |
| 2019/10/15  | 0 PLACES ±        | ±                                     | ±              | LBLEE                  | DATE                     |  |            |
| 2019/10/15  | ANGULAR TOL = 3.0 |                                       | DRAWING SIZE   | THIRD ANGLE PROJECTION |                          |  |            |
| DRAFT WHERE APPLICABLE MUST REMAIN WITHIN DIMENSIONS                            |                   | A3                                    |                |                        | PRODUCT CUSTOMER DRAWING |  |            |
| N5  |                   | REV                                   | 79109          | MATERIAL NUMBER        | CUSTOMER                 | GENERAL MARKET                           |            |
| RELEASE STATUS  |                   | RELEASE DATE                          | SDA-79109-XXXX |                        | DOC TYPE                 |  | DOC PART   |
| DATE: 2016/02/04  |                   | PSD                                   | 001            | SHEET NUMBER           |                          | 2 OF 10                                  |            |

# ASSEMBLIES WITHOUT PEGS

## VOIDED CIRCUIT OPTION


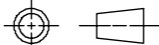
| CKT. SIZE | ASSEMBLY<br>(WITHOUT CAP IN TUBE) | VOID LOCATION(S)<br>SEE SHEET 1 FOR CONVENTION |             | PLATING<br>OPTION | DIM."A" | DIM."B" | DIM."D" |
|-----------|-----------------------------------|--|-------------|-------------------|---------|---------|---------|
|           | PART NUMBER.                      | ROW  | CKT. NO.(S) |                   |         |         |         |
| 22        | 79109-5011                        | A  | 2           | 4                 | 20.00   | 22.19   | 4.65    |
| 6         | 79109-5012                        | A  | 2           | 5                 | 4.00    | 6.19    | 4.65    |

| CKT. SIZE | ASSEMBLY<br>(WITH CAP IN T&R) | VOID LOCATION(S)<br>SEE SHEET 1 FOR CONVENTION |             | PLATING<br>OPTION | DIM."A" | DIM."B" | DIM."D" |
|-----------|-------------------------------|--|-------------|-------------------|---------|---------|---------|
|           | PART NUMBER                   | ROW  | CKT. NO.(S) |                   |         |         |         |
| 50        | 79109-8924                    | A  | 13, 23      | 5                 | 48.00   | 50.19   | 4.65    |
|           |                               | B  | 23          |                   |         |         |         |

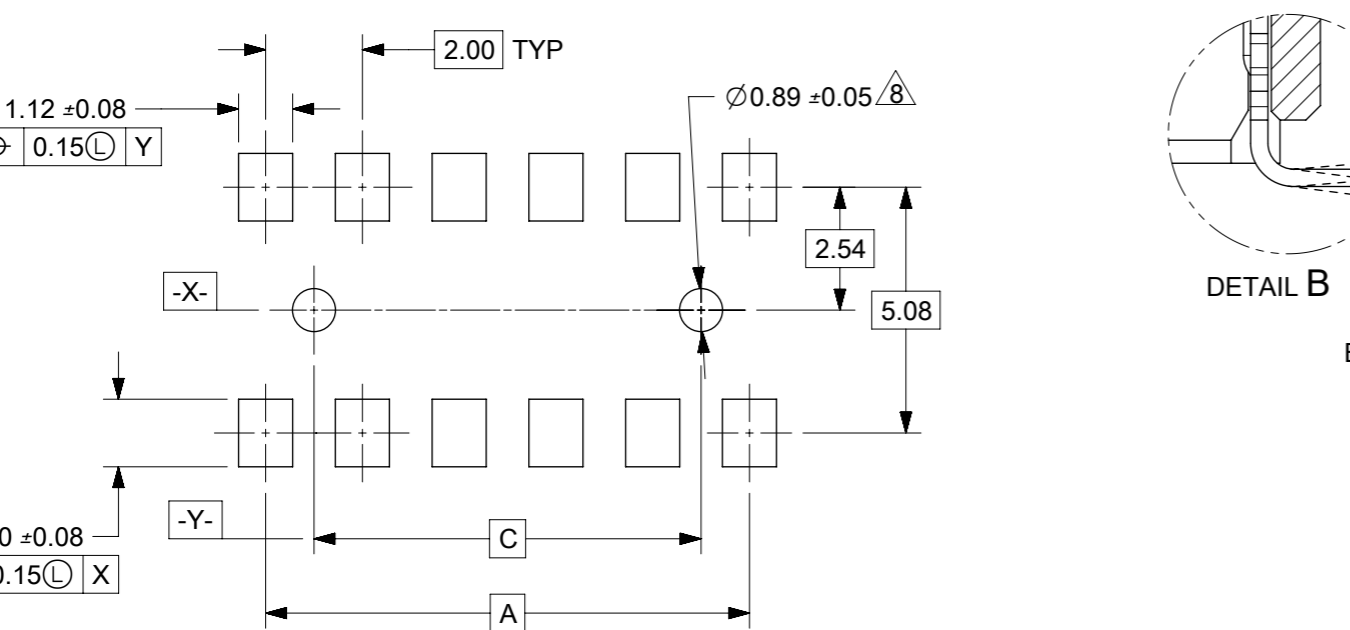
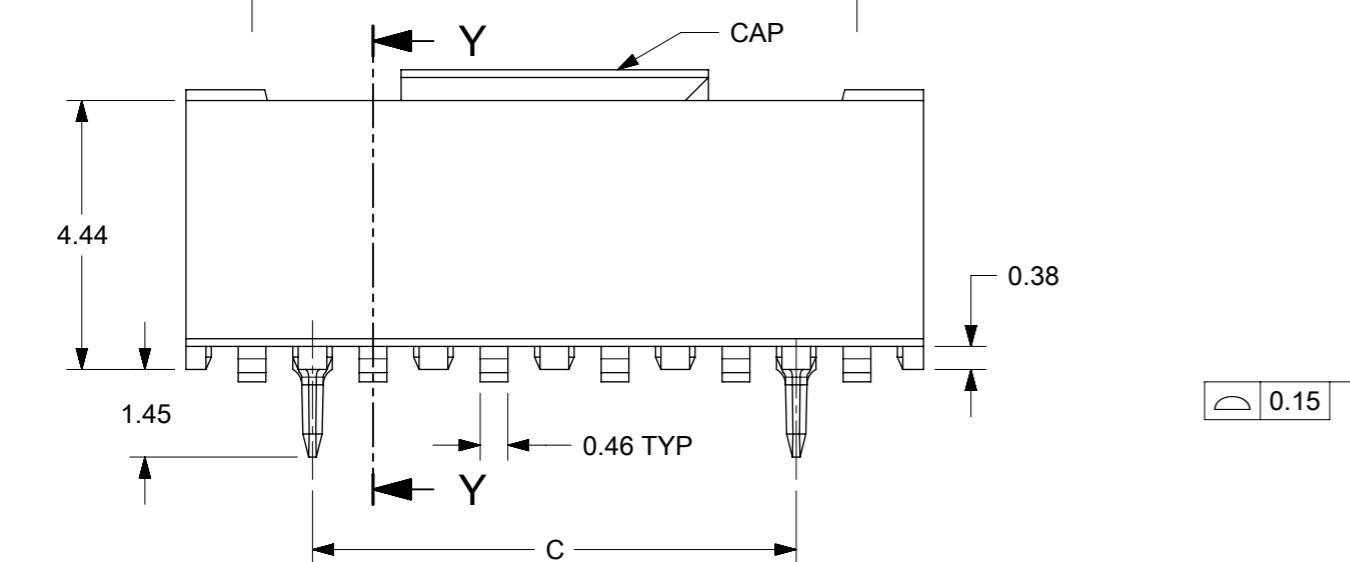
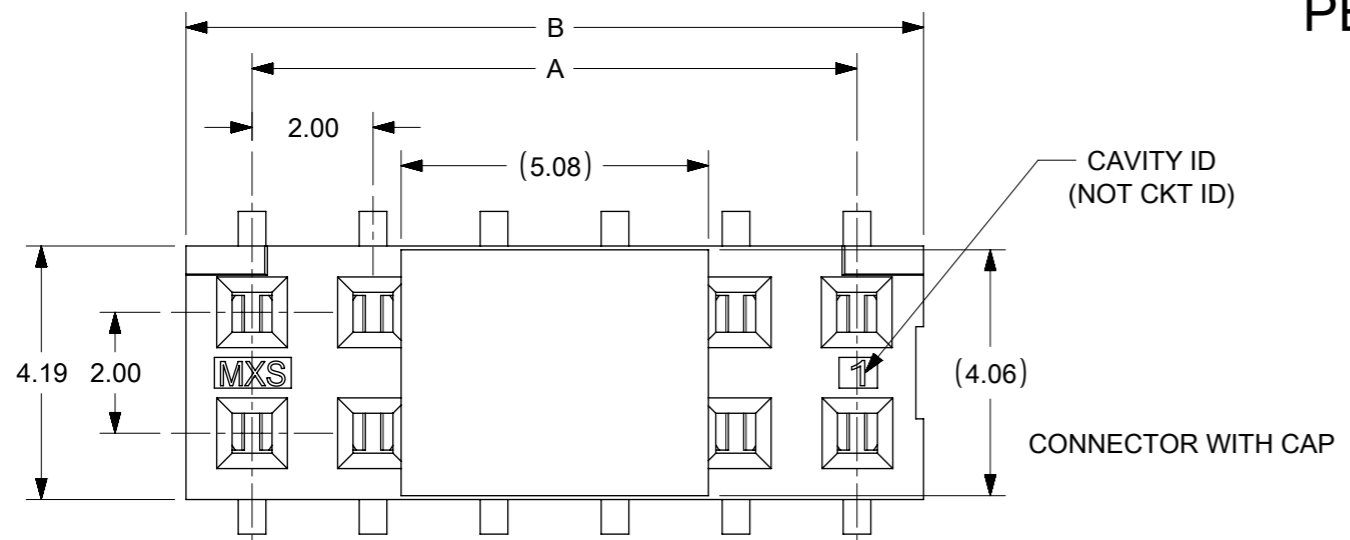
**NOTES:**

1. TERMINALS WILL BE PRESENT IN VOIDED LOCATIONS. HOWEVER, PIN WINDOWS WILL BE CLOSED.
2. VOIDS CAN ONLY BE PRESENT IN ONE ROW OF A CONNECTOR.

THIS DRAWING CONTAINS INFORMATION THAT IS PROPRIETARY TO MOLEX ELECTRONIC TECHNOLOGIES, LLC AND SHOULD NOT BE USED WITHOUT WRITTEN PERMISSION

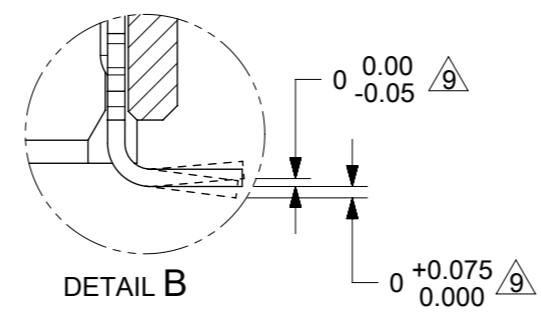
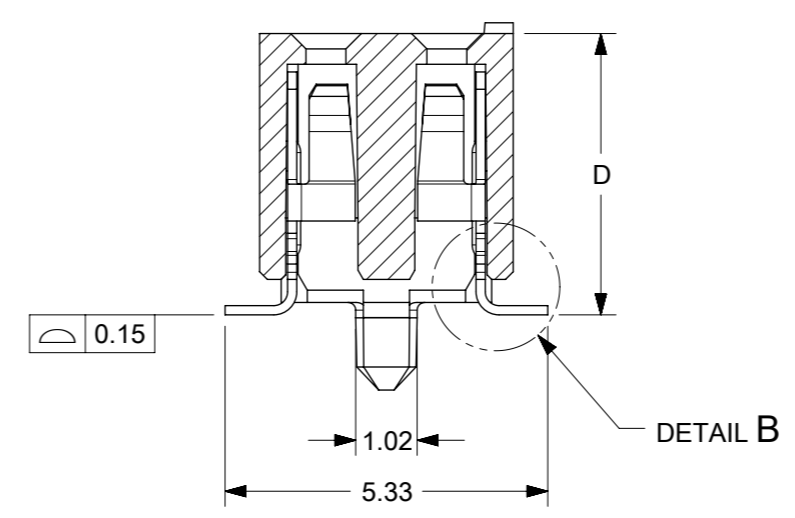
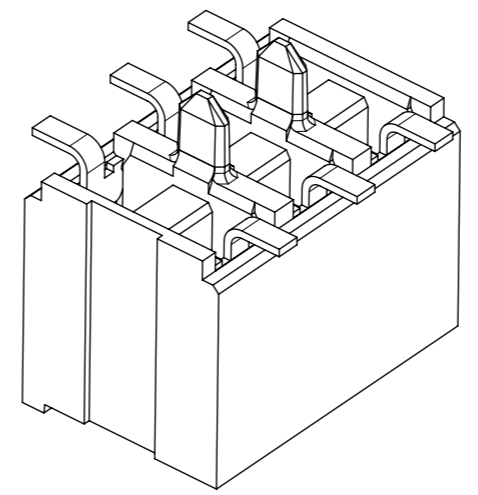
|   |   |  |          |                 |  |            |              |   |  |                 |           |                |              |
|---|---|--|----------|-----------------|--|------------|--------------|---|--|-----------------|-----------|----------------|--------------|
| EC NO: 625618<br>DRWN: ABABUPS<br>CHK'D: MRAMAKRISHNA<br>REV APPR: MRAMAKRISHNA | 2019/10/14  | GENERAL TOLERANCES<br>(UNLESS SPECIFIED) |          | DIMENSION UNITS |  | SCALE      |              |  |  |                 |           |                |              |
|   | 2019/10/15  | MM                                       | INCH     | MM              | NTS  |            |              |   |  |                 |           |                |              |
|   | EC NO: 625618<br>DRWN: ABABUPS<br>CHK'D: MRAMAKRISHNA<br>REV APPR: MRAMAKRISHNA | 2019/10/15                               | 4 PLACES | ±               | ±  | DRWN BY    | DATE         |   | 2MM DUAL ROW<br>VERTICAL RECEPTACLE, SMT |                 |           |                |              |
|   |   |  | 3 PLACES | ±               | ±  | AAB        | 1989/05/15   |   |  |                 |           |                |              |
|   |   |  | 2 PLACES | ±               | 0.25   | ±          | CHK'D BY     | DATE  |  |                 |           |                |              |
|   |   |  | 1 PLACES | ±               | 0.38   | ±          | MJM          | 1989/05/15  |  |                 |           |                |              |
|   |   | 0 PLACES                                 | ±        | ±               | APPR BY  | DATE       |              | PRODUCT CUSTOMER DRAWING  |  |                 |           |                |              |
|   |   |  |          |                 | LBLEE  | 2014/08/01 |              | SERIES  | MATERIAL NUMBER                          | CUSTOMER        |           |                |              |
|   |   |  |          |                 | ANGULAR TOL = 3.0  |            | DRAWING SIZE | THIRD ANGLE PROJECTION  |  | 79109           | SEE TABLE | GENERAL MARKET |              |
|   |   |  |          |                 | DRAFT WHERE APPLICABLE<br>MUST REMAIN<br>WITHIN DIMENSIONS |            | A3           |  |  | DOCUMENT NUMBER | DOC TYPE  | DOC PART       | SHEET NUMBER |
|   |   |  |          |                 |  |            |              |   |  | SDA-79109-XXXX  | PSD       | 001            | 3 OF 10      |

|                |              |
|----------------|--------------|
| RELEASE STATUS | RELEASE DATE |
|----------------|--------------|



RECOMMENDED PCB LAYOUT

### PEG OPTION



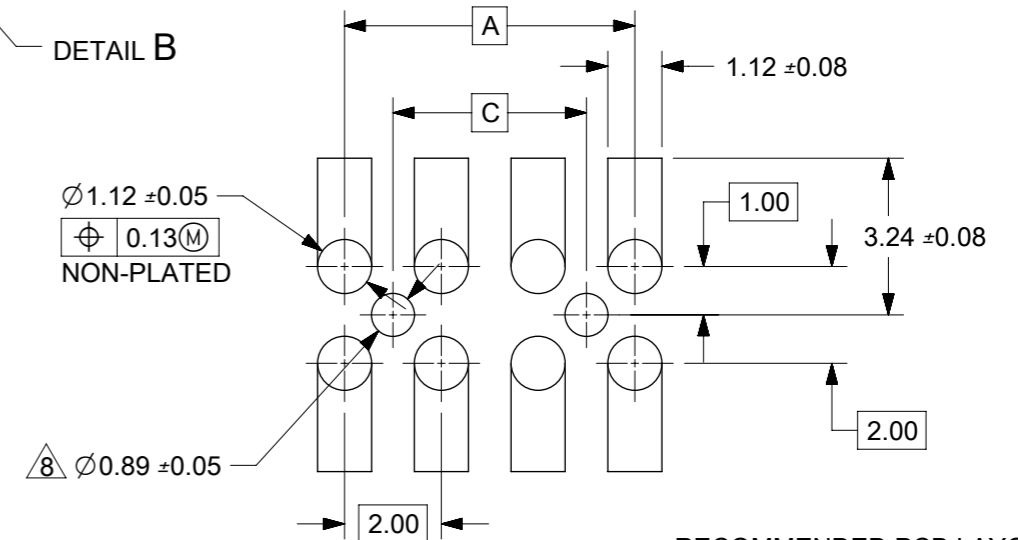
BENDING ANGLE OF TAIL

### PLATING OPTION:

- (4). 30µin (0.75µm) MIN. GOLD PLATE IN SELECTED AREA AND 75µin (1.88µm) MIN. TIN IN SELECTED AREA OVER 50µin (1.25µm) MIN. NICKEL OVER-ALL.
- (5). 15µin (0.38µm) MIN. GOLD PLATE IN SELECTED AREA AND 75µin (1.88µm) MIN. TIN IN SELECTED AREA OVER 50µin (1.25µm) MIN. NICKEL OVER-ALL.
- (6). 5µin (0.13µm) MIN. GOLD PLATE IN SELECTED AREA AND 75µin (1.88µm) MIN. TIN IN SELECTED AREA OVER 50µin (1.25µm) MIN. NICKEL OVER-ALL.

### NOTES:

- 1. HOUSING MATERIAL: GLASS FILLED HIGH TEMP. THERMOPLASTIC. COLOR:BLACK.
- 2. TERMINAL MATERIAL: PHOSPHOR BRONZE.
- 3. SEE APPROPRIATE SHEET FOR CIRCUIT SIZE, PART NUMBERS AND OVER-ALL DIMENSIONS.
- 4. FOR ILLUSTRATION, 6 & 12 CIRCUIT ASSEMBLY SHOWN.
- 5. REFER TO PRODUCT SPECIFICATION PS-79107.
- 6. TUBE PACKAGING PER PK-70873-0217 OR TAPE PACKAGING PER 70873-0259.
- 7. SEE PSX-79107 FOR SUGGESTED BOTTOM ENTRY PIN LENGTHS.
- 8. 0.89 DIA FOR PRESS FIT ONLY. USE 0.99±0.05 FOR ALIGNMENT PURPOSES ON PICK AND PLACE.
- 9. MEASUREMENT IS TAKEN BETWEEN THE TANGENT OF THE TOE TO TIP OF THE TERMINAL.



RECOMMENDED PCB LAYOUT (BOTTOM ENTRY)

THIS DRAWING CONTAINS INFORMATION THAT IS PROPRIETARY TO MOLEX ELECTRONIC TECHNOLOGIES, LLC AND SHOULD NOT BE USED WITHOUT WRITTEN PERMISSION

|   |            |                                       |        |                 |       |                 |              |          |  |                |                          |              |  |
|---|------------|---------------------------------------|--------|-----------------|-------|-----------------|--------------|----------|--|----------------|--------------------------|--------------|--|
| EC NO: 625618<br>DRWN: ABABUPS<br>CHK'D: MIRAMAKRISHNA<br>REV APPR: MIRAMAKRISHNA | 2019/10/14 | GENERAL TOLERANCES (UNLESS SPECIFIED) |        | DIMENSION UNITS |       | SCALE           |              |          |  |                |                          |              |  |
|   | 2019/10/15 | MM                                    | INCH   | MM              | NTS   | DRWN BY         | DATE         |          |  |                |                          |              |  |
|   | 2019/10/15 | 4 PLACES                              | ±      | ±               | AAB   | 1989/05/15      | CHK'D BY     | DATE     | 2MM DUAL ROW<br>VERTICAL RECEPTACLE, SMT |                |                          |              |  |
|   |            | 3 PLACES                              | ±      | ±               | MJM   | 1989/05/15      | APPR BY      | DATE     |  |                |                          |              |  |
|   |            | 2 PLACES                              | ± 0.25 | ±               | LBLEE | 2014/08/01      | DRAWING SIZE |          | THIRD ANGLE PROJECTION                   |                | PRODUCT CUSTOMER DRAWING |              |  |
|   | 1 PLACES   | ± 0.38                                | ±      | A3              |       | 79109           | SEE TABLE    | CUSTOMER |  | GENERAL MARKET |                          |              |  |
|   | 0 PLACES   | ±                                     | ±      |                 |       | DOCUMENT NUMBER |              | DOC TYPE |  | DOC PART       |                          | SHEET NUMBER |  |
|   |            |                                       |        |                 |       | SDA-79109-XXXX  |              | PSD      |  | 001            |                          | 4 OF 10      |  |

|                |              |
|----------------|--------------|
| RELEASE STATUS | RELEASE DATE |
|----------------|--------------|

# PEG OPTION

| CKT. SIZE | DIM. "A" | DIM. "B" | DIM. "C" | DIM. "D" | PLATING OPTION 5                         |                                       |                                       | PLATING OPTION 4                         |                                       | PLATING OPTION 6                         |                                       |
|-----------|----------|----------|----------|----------|--|---------------------------------------|---------------------------------------|--|---------------------------------------|--|---------------------------------------|
|           |          |          |          |          | ITEM NO.<br>TUBE PACKED<br>(WITHOUT CAP) | ITEM NO.<br>TAPE PACKED<br>(WITH CAP) | ITEM NO.<br>TUBE PACKED<br>(WITH CAP) | ITEM NO.<br>TUBE PACKED<br>(WITHOUT CAP) | ITEM NO.<br>TAPE PACKED<br>(WITH CAP) | ITEM NO.<br>TUBE PACKED<br>(WITHOUT CAP) | ITEM NO.<br>TAPE PACKED<br>(WITH CAP) |
| 04        | 2.00     | 4.19     | -        | 4.65     | 79109-1201                               | 79109-8601                            | 79109-1225                            | 79109-1251                               | 79109-8651                            | 79109-1301                               | -                                     |
| 06        | 4.00     | 6.19     | 2.00     | 4.65     | 79109-1202                               | 79109-8602                            | 79109-1226                            | 79109-1252                               | 79109-8652                            | 79109-1302                               | -                                     |
| 08        | 6.00     | 8.19     | 4.00     | 4.65     | 79109-1203                               | 79109-8603                            | 79109-1227                            | 79109-1253                               | 79109-8653                            | 79109-1303                               | -                                     |
| 10        | 8.00     | 10.19    | 6.00     | 4.65     | 79109-1204                               | 79109-8604                            | 79109-1228                            | 79109-1254                               | 79109-8654                            | 79109-1304                               | -                                     |
| 12        | 10.00    | 12.19    | 8.00     | 4.65     | 79109-1205                               | 79109-8605                            | 79109-1229                            | 79109-1255                               | 79109-8655                            | 79109-1305                               | -                                     |
| 14        | 12.00    | 14.19    | 10.00    | 4.65     | 79109-1206                               | 79109-8606                            | 79109-1230                            | 79109-1256                               | 79109-8656                            | 79109-1306                               | -                                     |
| 16        | 14.00    | 16.19    | 12.00    | 4.65     | 79109-1207                               | 79109-8607                            | 79109-1231                            | 79109-1257                               | 79109-8657                            | 79109-1307                               | -                                     |
| 18        | 16.00    | 18.19    | 14.00    | 4.65     | 79109-1208                               | 79109-8608                            | 79109-1232                            | 79109-1258                               | 79109-8658                            | 79109-1308                               | -                                     |
| 20        | 18.00    | 20.19    | 16.00    | 4.65     | 79109-1209                               | 79109-8609                            | 79109-1233                            | 79109-1259                               | 79109-8659                            | 79109-1309                               | -                                     |
| 22        | 20.00    | 22.19    | 18.00    | 4.65     | 79109-1210                               | 79109-8610                            | 79109-1234                            | 79109-1260                               | 79109-8660                            | 79109-1310                               | -                                     |
| 24        | 22.00    | 24.19    | 20.00    | 4.65     | 79109-1211                               | 79109-8611                            | 79109-1235                            | 79109-1261                               | 79109-8661                            | 79109-1311                               | -                                     |
| 26        | 24.00    | 26.19    | 22.00    | 4.65     | 79109-1212                               | 79109-8612                            | 79109-1236                            | 79109-1262                               | 79109-8662                            | 79109-1312                               | -                                     |
| 28        | 26.00    | 28.19    | 24.00    | 4.65     | 79109-1213                               | 79109-8613                            | 79109-1237                            | 79109-1263                               | 79109-8663                            | 79109-1313                               | -                                     |
| 30        | 28.00    | 30.19    | 26.00    | 4.65     | 79109-1214                               | 79109-8614                            | 79109-1238                            | 79109-1264                               | 79109-8664                            | 79109-1314                               | -                                     |
| 32        | 30.00    | 32.19    | 28.00    | 4.65     | 79109-1215                               | 79109-8615                            | 79109-1239                            | 79109-1265                               | 79109-8665                            | 79109-1315                               | -                                     |
| 34        | 32.00    | 34.19    | 30.00    | 4.65     | 79109-1216                               | 79109-8616                            | 79109-1240                            | 79109-1266                               | 79109-8666                            | 79109-1316                               | -                                     |
| 36        | 34.00    | 36.19    | 32.00    | 4.65     | 79109-1217                               | 79109-8617                            | 79109-1241                            | 79109-1267                               | 79109-8667                            | 79109-1317                               | -                                     |
| 38        | 36.00    | 38.19    | 34.00    | 4.65     | 79109-1218                               | 79109-8618                            | 79109-1242                            | 79109-1268                               | 79109-8668                            | 79109-1318                               | -                                     |
| 40        | 38.00    | 40.19    | 36.00    | 4.65     | 79109-1219                               | 79109-8619                            | 79109-1243                            | 79109-1269                               | 79109-8669                            | 79109-1319                               | -                                     |
| 42        | 40.00    | 42.19    | 38.00    | 4.65     | 79109-1220                               | 79109-8620                            | 79109-1244                            | 79109-1270                               | 79109-8670                            | 79109-1320                               | -                                     |
| 44        | 42.00    | 44.19    | 40.00    | 4.65     | 79109-1221                               | 79109-8621                            | 79109-1245                            | 79109-1271                               | 79109-8671                            | 79109-1321                               | -                                     |
| 46        | 44.00    | 46.19    | 42.00    | 4.65     | 79109-1222                               | 79109-8622                            | 79109-1246                            | 79109-1272                               | 79109-8672                            | 79109-1322                               | -                                     |
| 48        | 46.00    | 48.19    | 44.00    | 4.65     | 79109-1223                               | 79109-8623                            | 79109-1247                            | 79109-1273                               | 79109-8673                            | 79109-1323                               | -                                     |
| 50        | 48.00    | 50.19    | 46.00    | 4.65     | 79109-1224                               | 79109-8624                            | 79109-1248                            | 79109-1274                               | 79109-8674                            | 79109-1324                               | -                                     |

'X' INDICATES TOOLING NOT AVAILABLE

|   |                                       |              |                 |                        |             |                                 |  |                |                |          |              |
|---|---------------------------------------|--------------|-----------------|------------------------|-------------|---------------------------------|--|----------------|----------------|----------|--------------|
| THIS DRAWING CONTAINS INFORMATION THAT IS PROPRIETARY TO MOLEX ELECTRONIC TECHNOLOGIES, LLC AND SHOULD NOT BE USED WITHOUT WRITTEN PERMISSION |                                       |              |                 |                        |             |                                 |  |                |                |          |              |
| EC NO: 625618<br>DRWN: ABABUPS<br>CHKD: MRAMAKRISHNA<br>REV APPR: MRAMAKRISHNA  | GENERAL TOLERANCES (UNLESS SPECIFIED) |              | DIMENSION UNITS |                        | SCALE       |                                 |  |                |                |          |              |
|   |                                       |              | MM      INCH    |                        | MM      NTS |                                 |  |                |                |          |              |
|   | 4 PLACES ±      ±                     |              | DRWN BY         |                        | DATE        |                                 | <b>2MM DUAL ROW<br/>VERTICAL RECEPTACLE, SMT</b> |                |                |          |              |
|   | 3 PLACES ±      ±                     |              | AAB             |                        | 1989/05/15  |                                 |  |                |                |          |              |
|   | 2 PLACES ± 0.25 ±                     |              | CHK'D BY        |                        | DATE        |                                 |  |                |                |          |              |
|   | 1 PLACES ± 0.38 ±                     |              | MJM             |                        | 1989/05/15  |                                 |  |                |                |          |              |
| 0 PLACES ±      ±   |                                       | APPR BY      |                 | DATE                   |             | <b>PRODUCT CUSTOMER DRAWING</b> |  |                |                |          |              |
| ANGULAR TOL = 3.0   |                                       | LBLEE        |                 | 2014/08/01             |             | SERIES                          | MATERIAL NUMBER                                  | CUSTOMER       |                |          |              |
| DRAFT WHERE APPLICABLE<br>MUST REMAIN WITHIN DIMENSIONS   |                                       | DRAWING SIZE |                 | THIRD ANGLE PROJECTION |             | 79109                           | SEE TABLE  |                | GENERAL MARKET |          |              |
| A3  |                                       | A3           |                 |                        |             | DOCUMENT NUMBER                 |  | SDA-79109-XXXX | DOC TYPE       | DOC PART | SHEET NUMBER |
| N5  |                                       |              |                 |                        |             |                                 |  | PSD            | 001            | 5 OF 10  |              |

|                |              |
|----------------|--------------|
| RELEASE STATUS | RELEASE DATE |
|----------------|--------------|

9 8 7 6 5 4 3 2 1

E

E

D

D

PEG OPTION  
SPECIAL PACKAGING (TAPE PACKED WITHOUT CAP )

| CKT. SIZE | DIM. "A" | DIM. "B" | DIM. "C" | DIM. "D" | ITEM NO.   | PLATING OPTION<br>SEE SHEET 1 |
|-----------|----------|----------|----------|----------|------------|-------------------------------|
| 50        | 48.00    | 50.19    | 46.00    | 4.65     | 79109-9103 | 5                             |

C

C


B

B

A

A

THIS DRAWING CONTAINS INFORMATION THAT IS PROPRIETARY TO MOLEX ELECTRONIC TECHNOLOGIES, LLC AND SHOULD NOT BE USED WITHOUT WRITTEN PERMISSION

|  |            |            |            |                                       |            |                 |  |                |   |              |  |
|--|------------|------------|------------|---------------------------------------|------------|-----------------|--|----------------|---|--------------|--|
| EC NO: 625618<br>DRWN: ABABUPS<br>CHKD: MRAMAKRISHNA<br>REV APPR: MRAMAKRISHNA | 2019/10/14 | 2019/10/15 | 2019/10/15 | GENERAL TOLERANCES (UNLESS SPECIFIED) |            | DIMENSION UNITS |  | SCALE          |  |              |  |
|  |            |            |            | MM                                    | INCH       | MM              | NTS                                      |                |   |              |  |
|  | 4 PLACES   | ±          | ±          | DRWN BY                               | DATE       |                 | 2MM DUAL ROW<br>VERTICAL RECEPTACLE, SMT |                |   |              |  |
|  | 3 PLACES   | ±          | ±          | AAB                                   | 1989/05/15 |                 |  |                |   |              |  |
|  | 2 PLACES   | ± 0.25     | ±          | CHK'D BY                              | DATE       |                 |  |                |   |              |  |
|  | 1 PLACES   | ± 0.38     | ±          | MJM                                   | 1989/05/15 |                 | PRODUCT CUSTOMER DRAWING                 |                |   |              |  |
| 0 PLACES   | ±          | ±          | APPR BY    | DATE                                  |            |                 |  |                |   |              |  |
| ANGULAR TOL = 3.0  |            |            | LBLEE      | 2014/08/01                            |            | SERIES          | MATERIAL NUMBER                          | CUSTOMER       |   |              |  |
| DRAFT WHERE APPLICABLE<br>MUST REMAIN WITHIN DIMENSIONS                        |            |            | A3         | THIRD ANGLE PROJECTION                |            | 79109           | SEE TABLE                                | GENERAL MARKET |   |              |  |
|  |            |            |            |                                       |            | DOCUMENT NUMBER |  | DOC TYPE       | DOC PART  | SHEET NUMBER |  |
|  |            |            |            |                                       |            | SDA-79109-XXXX  |  | PSD            | 001   | 6 OF 10      |  |

|                |              |
|----------------|--------------|
| RELEASE STATUS | RELEASE DATE |
|----------------|--------------|

9 8 7 6 5 4 3 2 1

FORMA: Mol-lega-master-ib-prod-A3  
REVISION: C  
DATE: 2016/02/04


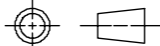
ASSEMBLIES WITH PEGS  
VOIDED CIRCUIT OPTION

| CKT. SIZE | ASSEMBLY<br>(WITHOUT CAP IN TUBE) | VOID LOCATION(S)<br>SEE SHEET 1 FOR CONVENTION |             | PLATING<br>OPTION | DIM."A" | DIM."B" | DIM."C" | DIM."D" |
|-----------|-----------------------------------|--|-------------|-------------------|---------|---------|---------|---------|
|           | ITEM NO.                          | ROW  | CKT. NO.(S) |                   |         |         |         |         |
| 48        | 79109-6011                        | ROW A  | 1, 24       | 5                 | 46.00   | 48.19   | 44.00   | 4.65    |
| 44        | 79109-6012                        | ROW B  | 10          | 5                 | 42.00   | 44.19   | 42.00   | 4.65    |

NOTES:

1. TERMINALS WILL BE PRESENT IN VOIDED LOCATIONS. HOWEVER, PIN WINDOWS WILL BE CLOSED.
2. VOIDS CAN ONLY BE PRESENT IN ONE ROW OF A CONNECTOR.

THIS DRAWING CONTAINS INFORMATION THAT IS PROPRIETARY TO MOLEX ELECTRONIC TECHNOLOGIES, LLC AND SHOULD NOT BE USED WITHOUT WRITTEN PERMISSION

|   |            |  |  |            |                 |   |              |                                |   |  |  |
|---|------------|--|--|------------|-----------------|---|--------------|--------------------------------|---|--|--|
| EC NO: 625618<br>DRWN: ABABUPS<br>CHK'D: MIRAMAKRISHNA<br>REV APPR: MIRAMAKRISHNA | 2019/10/14 |  | GENERAL TOLERANCES<br>(UNLESS SPECIFIED) |            | DIMENSION UNITS |   | SCALE        |                                |  |  |  |
|   | 2019/10/15 |  |  |            | MM INCH         |   | MM NTS       |                                |   |  |  |
|   | 2019/10/15 |  | 4 PLACES ±                               |            | AAB             |   | DRWN BY DATE |                                | 2MM DUAL ROW<br>VERTICAL RECEPTACLE, SMT  |  |  |
|   |            |  | 3 PLACES ±                               |            | CHK'D BY DATE   |   | 1989/05/15   |                                |   |  |  |
|   |            |  | 2 PLACES ± 0.25                          |            | MJM             |   | 1989/05/15   |                                |   |  |  |
|   |            |  | 1 PLACES ± 0.38                          |            | APPR BY DATE    |   | LBLEE        |                                | PRODUCT CUSTOMER DRAWING  |  |  |
|   |            | 0 PLACES ±   |  | 2014/08/01 |                 | DRAWING SIZE THIRD ANGLE PROJECTION   |              | 79109 SEE TABLE GENERAL MARKET |   |  |  |
|   |            | ANGULAR TOL = 3.0  |  | A3         |                 |  |              |                                |   |  | DOCUMENT NUMBER DOC TYPE DOC PART SHEET NUMBER<br>SDA-79109-XXXX PSD 001 7 OF 10 |
|   |            | DRAFT WHERE APPLICABLE<br>MUST REMAIN<br>WITHIN DIMENSIONS |  |            |                 |   |              |                                |   |  |  |

|                |              |
|----------------|--------------|
| RELEASE STATUS | RELEASE DATE |
|----------------|--------------|

# SPECIAL - CUSTOM TERMINAL FEET

## PEG OPTION

| CKT. SIZE | DIM. "A" | DIM. "B" | DIM. "C" | DIM. "D" | PLATING OPTION 5                   |                                 |                                 |              |
|-----------|----------|----------|----------|----------|------------------------------------|---------------------------------|---------------------------------|--------------|
|           |          |          |          |          | ITEM NO. TUBE PACKED (WITHOUT CAP) | ITEM NO. TAPE PACKED (WITH CAP) | ITEM NO. TUBE PACKED (WITH CAP) |              |
| 04        | 2.00     | 4.19     | -        | 4.70     | X                                  |                                 | X 79109-8751                    | X            |
| 06        | 4.00     | 6.19     | 2.00     | 4.70     | X                                  |                                 | X 79109-8752                    | X            |
| 08        | 6.00     | 8.19     | 4.00     | 4.70     | X                                  |                                 | X 79109-8753                    | X            |
| 10        | 8.00     | 10.19    | 6.00     | 4.70     | X                                  |                                 | X 79109-8754                    | X            |
| 12        | 10.00    | 12.19    | 8.00     | 4.70     | X                                  |                                 | X 79109-8755                    | X            |
| 14        | 12.00    | 14.19    | 10.00    | 4.70     | X                                  |                                 | X 79109-8756                    | X            |
| 16        | 14.00    | 16.19    | 12.00    | 4.70     | X                                  |                                 | X 79109-8757                    | X            |
| 18        | 16.00    | 18.19    | 14.00    | 4.70     | X                                  |                                 | X 79109-8758                    | X            |
| 20        | 18.00    | 20.19    | 16.00    | 4.70     | X                                  |                                 | X 79109-8759                    | X            |
| 22        | 20.00    | 22.19    | 18.00    | 4.70     | X                                  |                                 | X 79109-8760                    | X            |
| 24        | 22.00    | 24.19    | 20.00    | 4.70     | X                                  |                                 | X 79109-8761                    | X            |
| 26        | 24.00    | 26.19    | 22.00    | 4.70     | X                                  |                                 | X 79109-8762                    | X            |
| 28        | 26.00    | 28.19    | 24.00    | 4.70     | X                                  |                                 | X 79109-8763                    | X            |
| 30        | 28.00    | 30.19    | 26.00    | 4.70     |                                    | 79109-7010                      | X 79109-8764                    | X 79109-7065 |
| 32        | 30.00    | 32.19    | 28.00    | 4.70     | X                                  |                                 | X 79109-8765                    | X            |
| 34        | 32.00    | 34.19    | 30.00    | 4.70     | X                                  |                                 | X 79109-8766                    | X            |
| 36        | 34.00    | 36.19    | 32.00    | 4.70     | X                                  |                                 | X 79109-8767                    | X            |
| 38        | 36.00    | 38.19    | 34.00    | 4.70     | X                                  |                                 | X 79109-8768                    | X            |
| 40        | 38.00    | 40.19    | 36.00    | 4.70     | X                                  |                                 | X 79109-8769                    | X            |
| 42        | 40.00    | 42.19    | 38.00    | 4.70     | X                                  |                                 | X N.A.                          | X            |
| 44        | 42.00    | 44.19    | 40.00    | 4.70     |                                    | 79109-7016                      | X N.A.                          | X            |
| 46        | 44.00    | 46.19    | 42.00    | 4.70     | X                                  |                                 | X N.A.                          | X            |
| 48        | 46.00    | 48.19    | 44.00    | 4.70     | X                                  |                                 | X N.A.                          | X            |
| 50        | 48.00    | 50.19    | 46.00    | 4.70     |                                    | 79109-7015                      | X N.A.                          | X            |

'X' INDICATES TOOLING NOT AVAILABLE

THIS DRAWING CONTAINS INFORMATION THAT IS PROPRIETARY TO MOLEX ELECTRONIC TECHNOLOGIES, LLC AND SHOULD NOT BE USED WITHOUT WRITTEN PERMISSION

|   |                 |            |            |                                       |              |  |                        |          |            |  |                          |         |                |  |
|---|-----------------|------------|------------|---------------------------------------|--------------|--|------------------------|----------|------------|--|--------------------------|---------|----------------|--|
| EC NO: 625618<br>DRWN: ABABUPS<br>CHK'D: MRAMAKRISHNA<br>REV APPR: MRAMAKRISHNA | 2019/10/14      | 2019/10/15 | 2019/10/15 | GENERAL TOLERANCES (UNLESS SPECIFIED) |              | DIMENSION UNITS                                      |                        | SCALE    |            | 2MM DUAL ROW<br>VERTICAL RECEPTACLE, SMT |                          |         |                |  |
|   | MM              |            | INCH       |                                       | MM           |  | NTS                    |          |            |  |                          |         |                |  |
|   | 4 PLACES ±      |            | ±          |                                       | AAB          |  | DATE                   |          | 1989/05/15 |  | PRODUCT CUSTOMER DRAWING |         |                |  |
|   | 3 PLACES ±      |            | ±          |                                       | CHK'D BY     |  | DATE                   |          | MJM        |  |                          |         | 1989/05/15     |  |
|   | 2 PLACES ± 0.25 |            | ±          |                                       | APPR BY      |  | DATE                   |          | LBLEE      |  |                          |         | 2014/08/01     |  |
|   | 1 PLACES ± 0.38 |            | ±          |                                       | DRAWING SIZE |  | THIRD ANGLE PROJECTION |          | A3         |  |                          |         |                |  |
| 0 PLACES ±  |                 | ±          |            | ANGULAR TOL = 3.0                     |              | DRAFT WHERE APPLICABLE MUST REMAIN WITHIN DIMENSIONS |                        | 79109    |            | SEE TABLE                                |                          |         | GENERAL MARKET |  |
| N5  |                 | REV        |            | DOCUMENT NUMBER                       |              | DOC TYPE   |                        | DOC PART |            | SHEET NUMBER                             |                          | 8 OF 10 |                |  |

|                |              |
|----------------|--------------|
| RELEASE STATUS | RELEASE DATE |
|----------------|--------------|



**SPECIAL - CUSTOM TERMINAL FEET**  
**VOIDED CURCUIT OPTION**

| CKT. SIZE | ASSEMBLY                                 |                                       | VOID LOCATION(S)<br>SEE SHEET 1 FOR CONVENTION |             | PLATING OPTION | DIM."A" | DIM."B" | DIM."C" | DIM."D" | PEG OPTION |
|-----------|--|---------------------------------------|--|-------------|----------------|---------|---------|---------|---------|------------|
|           | ITEM NO.<br>TUBE PACKED<br>(WITHOUT CAP) | ITEM NO.<br>TAPE PACKED<br>(WITH CAP) | ROW  | CKT. NO.(S) |                |         |         |         |         |            |
|           | 48                                       | 79109-7011 X                          | 79109-8385                                     | ROW A       |                |         |         |         |         |            |
| 42        | 79109-7012 X                             | 79109-8386                            | ROW A  | 1, 21       | 5              | 40.00   | 42.19   | 38.00   | 4.70    | YES        |
| 20        | 79109-7013 X                             | 79109-8387                            | ROW A  | 1, 10       | 5              | 18.00   | 20.19   | 16.00   | 4.70    | YES        |
| 50        | 79109-7014 X                             | 79109-8388                            | ROW B  | 13          | 5              | 48.00   | 50.19   | 46.00   | 4.70    | YES        |
| 50        | 79109-7017 X                             | 79109-8988                            | ROW B  | 13          | 5              | 48.00   | 50.19   | 46.00   | 4.70    | NO         |

'X' INDICATES TOOLING NOT AVAILABLE.

NOTES:

1. TERMINALS WILL BE PRESENT IN VOIDED LOCATIONS. HOWEVER, PIN WINDOWS WILL BE CLOSED.
2. VOIDS CAN ONLY BE PRESENT IN ONE ROW OF A CONNECTOR.

|   |            |   |              |   |            |  |  |    |                 |  |                        |
|---|------------|---|--------------|---|------------|--|--|----|-----------------|--|------------------------|
| THIS DRAWING CONTAINS INFORMATION THAT IS PROPRIETARY TO MOLEX ELECTRONIC TECHNOLOGIES, LLC AND SHOULD NOT BE USED WITHOUT WRITTEN PERMISSION |            |   |              |   |            |  |  |    |                 |  |                        |
| EC NO: 625618<br>DRWN: ABABUPS<br>CHK'D: MIRAMAKRISHNA<br>REV APPR: MIRAMAKRISHNA   | 2019/10/14 |   | 2019/10/15   |   | 2019/10/15 |  | GENERAL TOLERANCES<br>(UNLESS SPECIFIED) |    | DIMENSION UNITS |  | SCALE                  |
|   |            |   |              |   |            |  | MM INCH                                  |    | MM              |  | NTS                    |
|   | 4 PLACES   |   | ±            |   | ±          |  | AAB                                      |    | DRWN BY         |  | DATE                   |
|   | 3 PLACES   |   | ±            |   | ±          |  | MJM                                      |    | CHK'D BY        |  | DATE                   |
|   | 2 PLACES   |   | ± 0.25       |   | ±          |  | LBLEE                                    |    | APPR BY         |  | DATE                   |
|   | 1 PLACES   |   | ± 0.38       |   | ±          |  |  |    | DRAWING SIZE    |  | THIRD ANGLE PROJECTION |
| 0 PLACES  |            | ± |              | ± |            | ANGULAR TOL = 3.0  |  | A3 |                 |  |                        |
|   |            |   |              |   |            | DRAFT WHERE APPLICABLE<br>MUST REMAIN<br>WITHIN DIMENSIONS |  |    |                 |  |                        |
| RELEASE STATUS  |            |   | RELEASE DATE |   |            |  |  |    |                 |  |                        |



2MM DUAL ROW  
VERTICAL RECEPTACLE, SMT

PRODUCT CUSTOMER DRAWING

|        |                 |                |
|--------|-----------------|----------------|
| SERIES | MATERIAL NUMBER | CUSTOMER       |
| 79109  | SEE TABLE       | GENERAL MARKET |

|                 |          |          |              |
|-----------------|----------|----------|--------------|
| DOCUMENT NUMBER | DOC TYPE | DOC PART | SHEET NUMBER |
| SDA-79109-XXXX  | PSD      | 001      | 9 OF 10      |

**BOARD TO BOARD (BTB) DISTANCE**

| RECEPTACLE | MATES WITH(HEADER) | BTB DISTANCE | PICTORIAL VIEW |
|------------|--------------------|--------------|----------------|
| 79109      | 87831              | 7.15         |                |
|            | 87832              | 8.35         |                |
|            | 151117             | 7.15         |                |
|            | 151118             | 8.35         |                |

|   |  |                     |      |  |  |                        |  |                          |  |
|---|--|---------------------|------|--|--|------------------------|--|--------------------------|--|
| THIS DRAWING CONTAINS INFORMATION THAT IS PROPRIETARY TO MOLEX ELECTRONIC TECHNOLOGIES, LLC AND SHOULD NOT BE USED WITHOUT WRITTEN PERMISSION |  |                     |      |  |  |                        |  |                          |  |
| DIMENSION UNITS<br><b>mm</b>  |  | SCALE<br><b>1:1</b> |      | CURRENT REV DESC:                                    |  |                        |  | <b>molex</b>             |  |
| GENERAL TOLERANCES (UNLESS SPECIFIED)   |  |                     |      | EC NO: 625618  |  |                        |  |                          |  |
|   |  | MM                  | INCH | DRWN: ABABUPS  |  | 2019/10/14             |  | 2MM DUAL ROW             |  |
| 4 PLACES ±  |  |                     |      | CHK'D: MRAMAKRISHNA                                  |  | 2019/10/15             |  | VERTICAL RECEPTACLE, SMT |  |
| 3 PLACES ±  |  |                     |      | APPR: MRAMAKRISHNA                                   |  | 2019/10/15             |  | PRODUCT CUSTOMER DRAWING |  |
| 2 PLACES ± 0.25   |  |                     |      | INITIAL REVISION:                                    |  |                        |  | DOCUMENT NUMBER          |  |
| 1 PLACE ± 0.38  |  |                     |      | DRWN: DRWN BY  |  | XXXX/XX/XX             |  | SDA-79109-XXXX           |  |
| 0 PLACES ±  |  |                     |      | APPR: APPR BY  |  | XXXX/XX/XX             |  | PSD 001 N5               |  |
| ANGULAR TOL ± 3.0°  |  |                     |      | DRAFT WHERE APPLICABLE MUST REMAIN WITHIN DIMENSIONS |  | THIRD ANGLE PROJECTION |  | DRAWING                  |  |
|   |  |                     |      |  |  | A3-SIZE                |  | SERIES                   |  |
|   |  |                     |      |  |  | 79109                  |  | MATERIAL NUMBER          |  |
|   |  |                     |      |  |  |                        |  | CUSTOMER                 |  |
|   |  |                     |      |  |  |                        |  | GENERAL MARKET           |  |
|   |  |                     |      |  |  |                        |  | SHEET NUMBER             |  |
|   |  |                     |      |  |  |                        |  | 10 OF 10                 |  |