

827534-1 ✓ ACTIVE

AMP | Timer Connector System

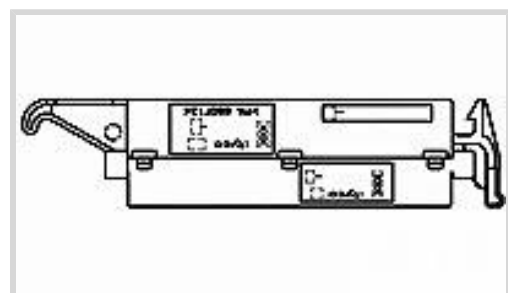
TE Internal #: 827534-1

Housing for Female Terminals, 25 Position, .197 in [5 mm]
Centerline, Black, Signal, Cable Mount (Free-Hanging), Timer
Connector System

[View on TE.com >](#)



Connectors > Automotive Connectors > Connector Housings > TIMER, CONNECTOR HOUSING



Connector & Housing Type: **Housing for Female Terminals**

Mating Tab Width: **2.8 mm [.11 in]**

Number of Positions: **25**

Centerline (Pitch): **5 mm [.197 in]**

Sealable: **No**

[All TIMER, CONNECTOR HOUSING \(543\)](#)

Features

Product Type Features

Connector & Housing Shape	Rectangular
Connector & Housing Type	Housing for Female Terminals
Sealable	No
Hybrid Connector	No
Primary Locking Feature	On the Terminal

Configuration Features

Number of Positions	25
Number of Rows	2

Body Features

Cable Exit Angle	180°
Body Material	PA GF
Primary Product Color	Black

Contact Features

Contact Size	2.8mm
Contact Type	Receptacle
Mating Tab Width	2.8 mm[.11 in]



Mechanical Attachment

Terminal Position Assurance	No
Strain Relief	Without
Mating Alignment Type	Polarized
Mating Alignment	With
Connector Mounting Type	Cable Mount (Free-Hanging)

Housing Features

Centerline (Pitch)	5 mm [.197 in]
--------------------	----------------

Dimensions

Product Width	22 mm [.866 in]
Product Length	99 mm [3.898 in]
Product Height	16.9 mm [.665 in]
Row-to-Row Spacing	5 mm [.197 in]

Operation/Application

Circuit Application	Signal
---------------------	--------

Packaging Features

Packaging Method	Box
------------------	-----

Other

Serviceable	No
Connector Position Assurance Capable	No

Product Compliance

[For compliance documentation, visit the product page on TE.com>](#)

EU RoHS Directive 2011/65/EU	Compliant
EU ELV Directive 2000/53/EC	Compliant
China RoHS 2 Directive MIIT Order No 32, 2016	No Restricted Materials Above Threshold
EU REACH Regulation (EC) No. 1907/2006	Current ECHA Candidate List: JUNE 2022 (224) Candidate List Declared Against: JUNE 2022 (224) Does not contain REACH SVHC
Halogen Content	BFR/CFR/PVC Free, but Br/Cl >900 ppm in other sources.
Solder Process Capability	Not applicable for solder process capability


Product Compliance Disclaimer

This information is provided based on reasonable inquiry of our suppliers and represents our current actual knowledge based on the information they provided. This information is subject to change. The part numbers that TE has identified as EU RoHS compliant have a maximum concentration of 0.1% by weight in homogenous materials for lead, hexavalent chromium, mercury, PBB, PBDE, DBP, BBP, DEHP, DIBP, and 0.01% for cadmium, or qualify for an exemption to these limits as defined in the Annexes of Directive 2011/65/EU (RoHS2). Finished electrical and electronic equipment products will be CE marked as required by Directive 2011/65/EU. Components may not be CE marked. Additionally, the part numbers that TE has identified as EU ELV compliant have a maximum concentration of 0.1% by weight in homogenous materials for lead, hexavalent chromium, and mercury, and 0.01% for cadmium, or qualify for an exemption to these limits as defined in the Annexes of Directive 2000/53/EC (ELV). Regarding the REACH Regulation, the information TE provides on SVHC in articles for this part number is based on the latest European Chemicals Agency (ECHA) 'Guidance on requirements for substances in articles' posted at this URL: <https://echa.europa.eu/guidance-documents/guidance-on-reach>

Compatible Parts




TE Part # CAT-LMPH9507
LOW & MEDIUM POWER HEADER



TE Part # 827535-3
TAB HEADER 25POS


Also in the Series | Timer Connector System



Automotive Connector Caps & Covers (11)




Automotive Connector Locks & Position Assurance(16)




Automotive Housings(219)




Automotive Seals & Cavity Plugs(31)




Automotive Terminals(138)



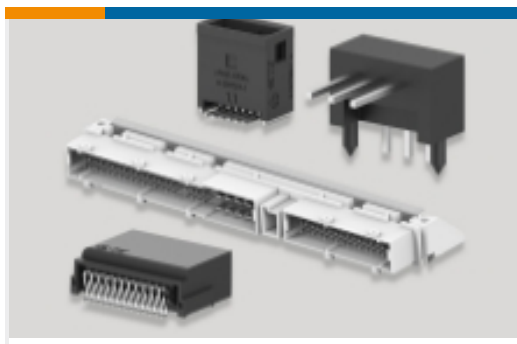
Crimp Terminal Housings(13)



Insertion & Extraction Tools(20)



Other Automotive Connector Accessories(1)

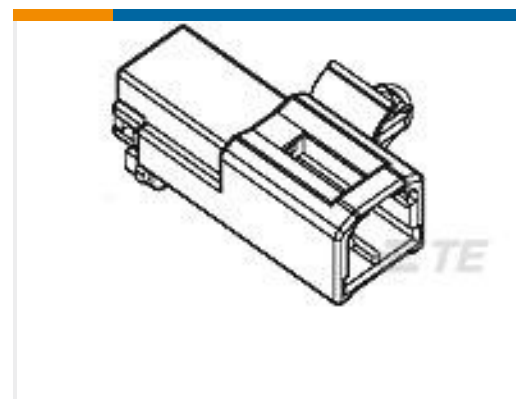


PCB Headers & Receptacles(78)



Quick Disconnects(4)

Customers Also Bought

TE Part #1746894-1
TIMER, CONNECTOR HOUSINGTE Part #5-2176327-3
CRGP 0805 220K 1%TE Part #5-2176412-6
5W XSM M/OX 5% 1K0TE Part #2137489-1
48 POS MIXED REC HSG BK W/ COVTE Part #927845-2
TIMER, RECEPTACLE AND TABTE Part #638652-2
RECEPT, 1.5MM, TIN 18-20AWG RD=1TE Part #178602-1
070 MULTILOC CAP HSG PANEL LOC

Documents

Product Drawings

[25P GEH F DOPP-FEDK](#)

English

CAD Files

Customer View Model

[ENG_CVM_827534-1_G1.3d_igs.zip](#)

English

Customer View Model

[ENG_CVM_827534-1_G1.3d_stp.zip](#)

English

Customer View Model

[ENG_CVM_827534-1_G1.2d_dxf.zip](#)

English

3D PDF

English

By downloading the CAD file I accept and agree to the [Terms and Conditions](#) of use.



[Datasheets & Catalog Pages](#)

[Timer Interconnection System](#)

English