



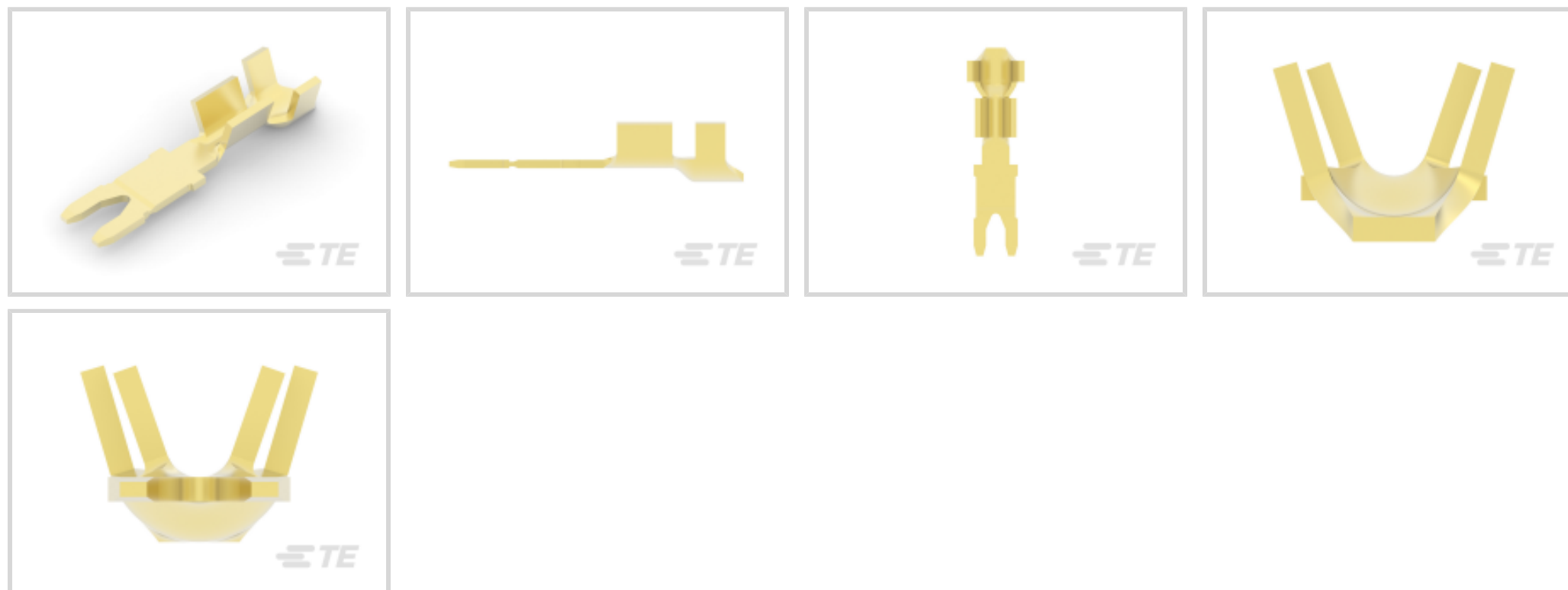
**MAG-MATE**

TE Internal #: 881257-3

Magnet Wire Terminals, Tab, Mating Tab Width .133 in [3.4 mm],  
Lead Wire Size 22 – 18 AWG, Lead Wire Size .32 – .82 mm<sup>2</sup>, Crimp,  
MAG-MATE

[View on TE.com >](#)

Terminals & Splices > Magnet Wire Terminals



Magnet Wire Terminal Type: **Tab**

Mating Tab Width: **3.4 mm [ .133 in ]**

Mating Tab Thickness: **.46 mm [ .018 in ]**

Accepts Wire Insulation Diameter (Max): **2.54 mm [ .1 in ]**

Accepts Wire Insulation Diameter Range: **1.52 – 2.54 mm [ .06 – .1 in ]**

**Features**

**Product Type Features**

Compatible With Discrete Wire Type	Solid, Stranded
------------------------------------	-----------------

**Configuration Features**

Compatible With Wire & Cable Type	Discrete Wire
-----------------------------------	---------------

**Contact Features**

Magnet Wire Terminal Type	Tab
Mating Tab Width	3.4 mm[.133 in]
Mating Tab Thickness	.46 mm[.018 in]
Terminal Plating Material	Unplated
Terminal Orientation	Straight

**Termination Features**

Termination Method to Wire & Cable	Crimp
Crimp Area Length	5.97 mm[.235 in]

**Mechanical Attachment**

--	--



Contact Mating Retention Type	Barbs
-------------------------------	-------

Wire Insulation Support	With
-------------------------	------

### Dimensions

Terminal Height	7 mm[.275 in]
-----------------	---------------

Accepts Wire Insulation Diameter (Max)	2.54 mm[.1 in]
--	----------------

Accepts Wire Insulation Diameter Range	1.52 – 2.54 mm[.06 – .1 in]
--	-----------------------------

Lead Wire Size	.32 – .82 mm <sup>2</sup>
----------------	---------------------------

Overall Product Length	19.5 mm[.767 in]
------------------------	------------------

### Usage Conditions

Insulation Option	Uninsulated
-------------------	-------------

### Operation/Application

Compatible With Wire Base Material	Copper
------------------------------------	--------

### Industry Standards

RU (UL Component Program)	Approved
---------------------------	----------

### Packaging Features

Packaging Quantity	7000
--------------------	------

Packaging Method	Reel, Reel/Carton
------------------	-------------------

### Product Compliance

[For compliance documentation, visit the product page on TE.com>](#)

EU RoHS Directive 2011/65/EU	Compliant
------------------------------	-----------

EU ELV Directive 2000/53/EC	Compliant
-----------------------------	-----------

China RoHS 2 Directive MIIT Order No 32, 2016	No Restricted Materials Above Threshold
---	---

EU REACH Regulation (EC) No. 1907/2006	Current ECHA Candidate List: JUNE 2022 (224) Candidate List Declared Against: JAN 2022 (223) SVHC > Threshold: Not Yet Reviewed
--	--

Halogen Content	Low Halogen - Br, Cl, F, I < 900 ppm per homogenous material. Also BFR/CFR/PVC Free
-----------------	---

Solder Process Capability	Not applicable for solder process capability
---------------------------	--

Product Compliance Disclaimer

This information is provided based on reasonable inquiry of our suppliers and represents our current actual knowledge based on the information they provided. This information is subject to change. The part numbers that TE has identified as EU RoHS compliant have a maximum concentration of 0.1% by weight in homogenous materials for lead, hexavalent chromium, mercury, PBB, PBDE, DBP, BBP, DEHP, DIBP, and 0.01% for cadmium, or qualify for an exemption to these limits as defined in the Annexes of Directive 2011/65/EU (RoHS2). Finished electrical and electronic equipment products will be CE marked as required by Directive 2011/65/EU. Components may not be CE marked. Additionally, the part numbers that TE has identified as EU ELV compliant have a maximum concentration of 0.1% by weight in homogenous materials for lead, hexavalent chromium, and mercury, and 0.01% for cadmium, or qualify for an exemption to these limits as defined in the Annexes of Directive 2000/53/EC (ELV). Regarding the REACH Regulation, the information TE provides on SVHC in articles for this part number is based on the latest European Chemicals Agency (ECHA) 'Guidance on requirements for substances in articles' posted at this URL: <https://echa.europa.eu/guidance-documents/guidance-on-reach>

## Compatible Parts



Also in the Series | **MAG-MATE**



Insertion & Extraction Tools(8)



Magnet Wire Terminals(464)

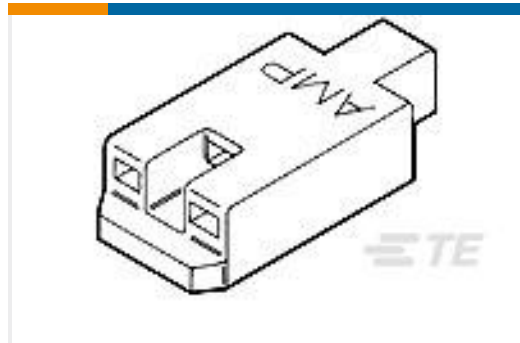


PCB Terminals(1)

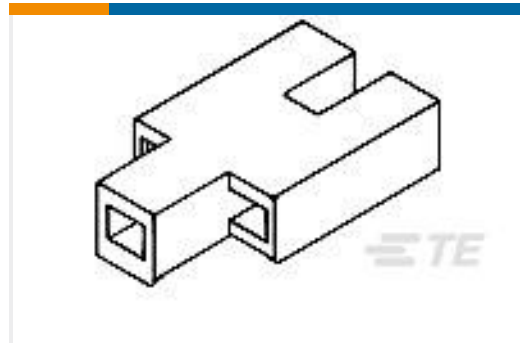
## Customers Also Bought



TE Part #61188-1  
250 FASTON FLAG REC 16-12 AWG  
TPBZ



TE Part #360051-1  
CLUSTER BLOCK



TE Part #880631-5  
CLUSTER BLOCK HSG .090 DIA



TE Part #62131-6  
.090 CLUSTER REC.



TE Part #1599105-1  
RECEPTACLE CLUSTER PIN .090dia



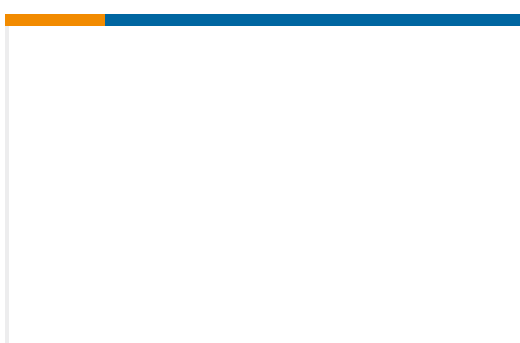
TE Part #2161369-1  
PIN, PIVOT



TE Part #2161362-1  
PIN, BELLCRANK, PIVOT, RAM



TE Part #2161362-2  
PIN, BELLCRANK, PIVOT



TE Part #457267-1  
FINGER, FEED



TE Part #457268-1  
HOLDER, FEED FINGER

## Documents

[Product Drawings](#)  
[MAG-MATE TERMINAL](#)

English

### CAD Files

[3D PDF](#)

[3D](#)

[Customer View Model](#)

[ENG\\_CVM\\_CVM\\_881257-3\\_C\\_c-881257-3-c.2d\\_dxf.zip](#)



English

**Customer View Model**

[ENG\\_CVM\\_CVM\\_881257-3\\_C\\_c-881257-3-c.3d\\_igs.zip](#)

English

**Customer View Model**

[ENG\\_CVM\\_CVM\\_881257-3\\_C\\_c-881257-3-c.3d\\_stp.zip](#)

English

By downloading the CAD file I accept and agree to the [Terms and Conditions](#) of use.

---

**Datasheets & Catalog Pages**

[Magnet Wire Terminals & Splices](#)

English

---

**Product Environmental Compliance**

[MD\\_881257-3\\_0702201499\\_dmtec](#)

English

[MD\\_881257-3\\_0702201499\\_dmtec](#)

English

---

**Agency Approvals**

[Agency Approval Document](#)

English