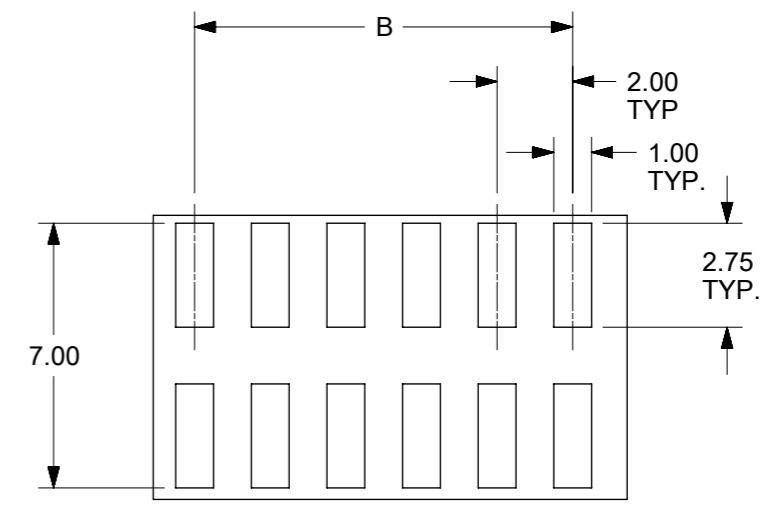
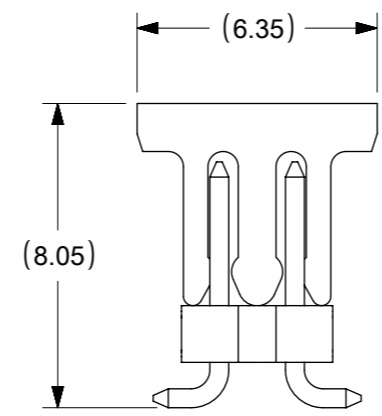
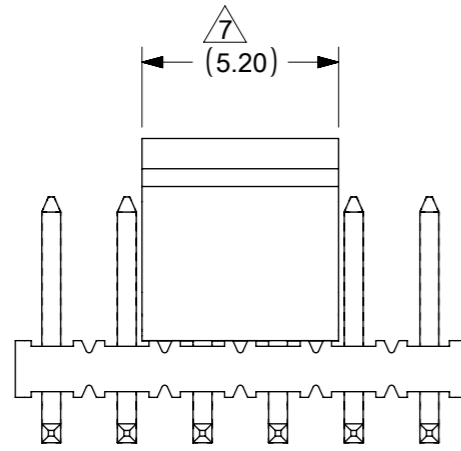


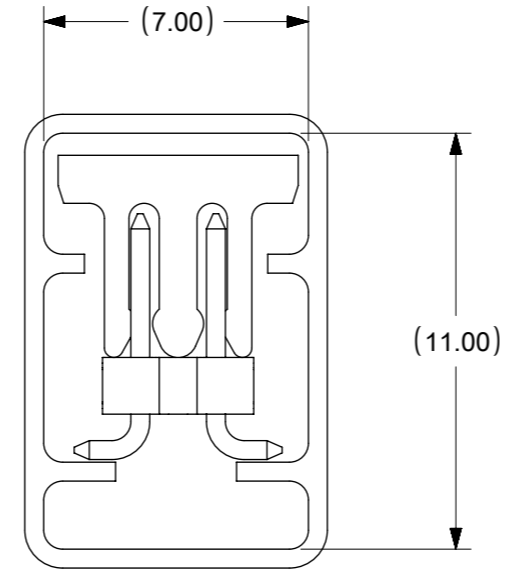
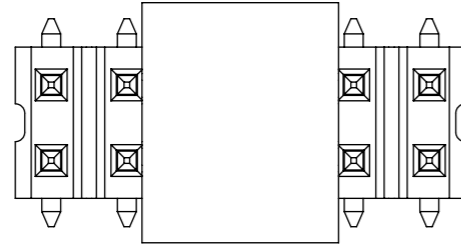
NOTE:

1. MATERIAL:
HSG & CAP - NYLON, GLASS FILLED
UL 94V-0, COLOUR BLACK
PIN - 0.50 SQ PHOSPHOR BRONZE
2. PLATING OPTION:
(1) 0.76µm MIN GOLD PLATE AT CONTACT AREA,
TIN PLATE AT SOLDER AREA,
BOTH OVER NICKEL UNDERPLATE
(2) 0.38µm MIN GOLD PLATE AT CONTACT AREA,
TIN PLATE AT SOLDER AREA,
BOTH OVER NICKEL UNDERPLATE
(3) 0.05 - 0.25µm GOLD PLATE AT CONTACT AREA,
TIN PLATE AT SOLDER AREA,
BOTH OVER NICKEL UNDERPLATE
3. PIN PUSHOUT FORCE: 1KG MIN IN EITHER DIRECTION
4. PRODUCT SPEC PS-87761-100 APPLIES.
5. BEND DEPRESSION IS ACCEPTABLE SO LONG AS IT DOES NOT AFFECT THE OVERALL COPLANARITY OF TAIL.
6. COPLANARITY IS TO BE MEASURED BY RESTING THE SOLDER TAIL ON A FLAT SURFACE.
7. CAP TO BE LOCATED AS CENTRAL OF PART AS POSSIBLE
TOP SURFACE OF CAP TO BE FLAT FOR THE PURPOSE OF PICK & PLACE BY VACUUM SUCTION NOZZLE.
8. FOR ILLUSTRATION PURPOSES, 12CKT IS SHOWN.
9. CKT 4 & 6 IS CUT FROM CKT 8 & 12 RESPECTIVELY
ROUGH EDGES ARE EXPECTED ALONG THE CUTTING EDGES.
10. PACKAGING SPECIFICATION:
FOR TRAY: PK-89990-487
FOR TUBE: PK-89990-476/ PK-89990-474/ PK-89990-475
FOR T&R: PK-89990-484/ 485

THIS DRAWING CONTAINS INFORMATION THAT IS PROPRIETARY TO MOLEX ELECTRONIC TECHNOLOGIES, LLC AND SHOULD NOT BE USED WITHOUT WRITTEN PERMISSION									
DIMENSION UNITS		SCALE		CURRENT REV DESC: ADD 87759-3279				molex	
mm		NTS							
GENERAL TOLERANCES (UNLESS SPECIFIED)				EC NO: 174700				CUSTOM HEADER	
				DRWN: NVELUSAMY 2017/12/28				MGRID, 2MM DUAL ROW HDR. SMT	
				CHK'D: SCS02 2018/04/06					
				APPR: ISHWARG 2018/04/18				PRODUCT CUSTOMER DRAWING	
4 PLACES ±				INITIAL REVISION:				DOCUMENT NUMBER	
3 PLACES ±				DRWN: KSEE 2003/12/12				SD-87759-117	
2 PLACES ± 0.2				APPR: SKTOH 2004/01/12				PSD 001 B10	
1 PLACE ±				ANGULAR TOL ± 3.0°				DOC TYPE DOC PART REVISION	
0 PLACES ±				DRAFT WHERE APPLICABLE MUST REMAIN WITHIN DIMENSIONS				GENERAL MARKET	
				THIRD ANGLE PROJECTION		DRAWING		SHEET NUMBER	
				A3-SIZE		SERIES 87759		1 OF 8	

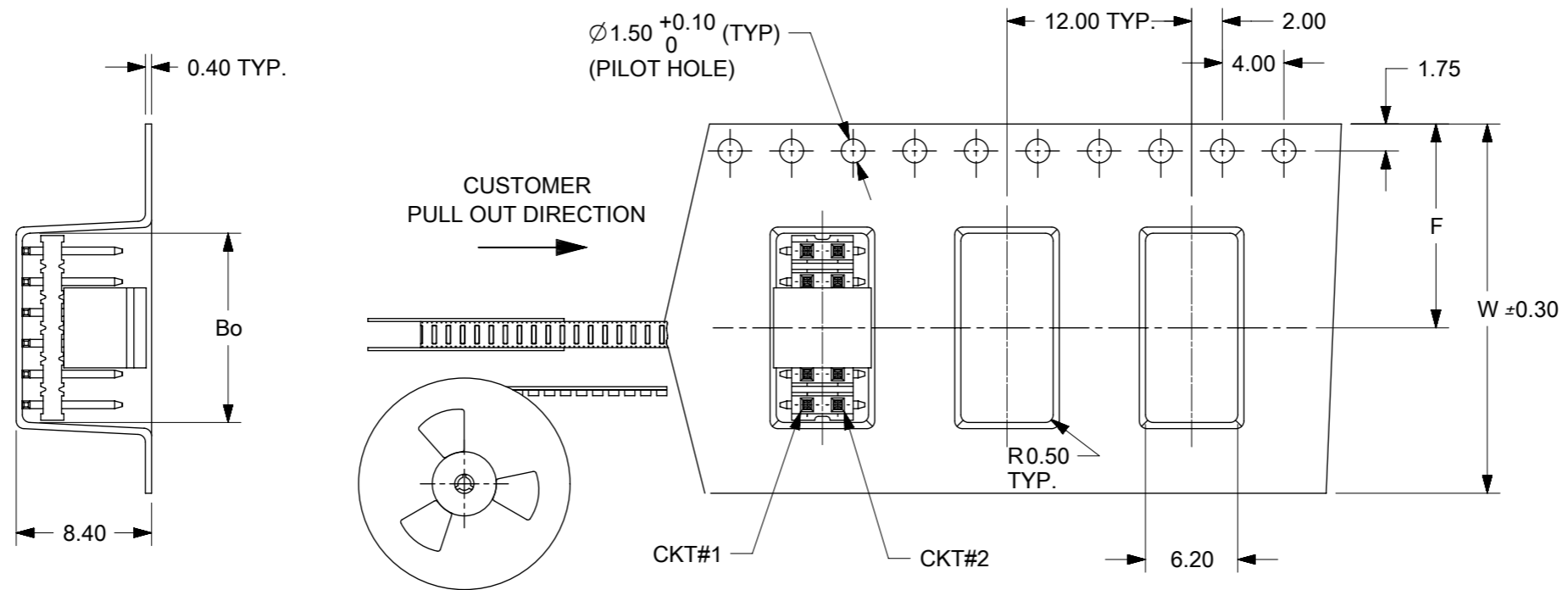


RECOMMENDED SOLDER PAD LAYOUT



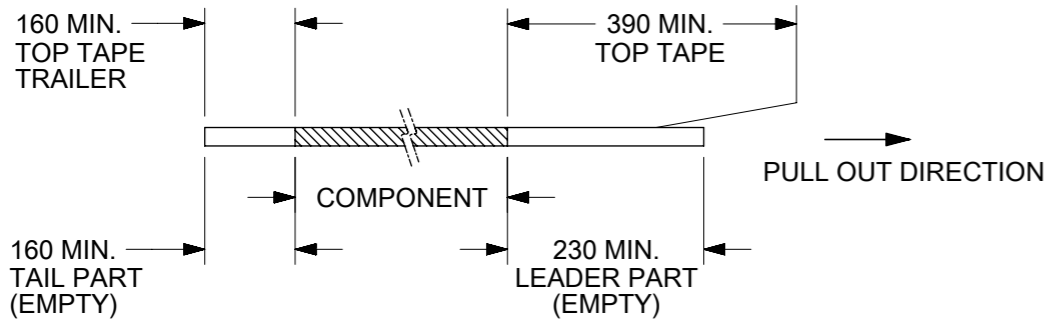
THIS DRAWING CONTAINS INFORMATION THAT IS PROPRIETARY TO MOLEX ELECTRONIC TECHNOLOGIES, LLC AND SHOULD NOT BE USED WITHOUT WRITTEN PERMISSION									
DIMENSION UNITS		SCALE		CURRENT REV DESC: ADD 87759-3279				molex	
mm		NTS							
GENERAL TOLERANCES (UNLESS SPECIFIED)				EC NO: 174700				CUSTOM HEADER	
				DRWN: NVELUSAMY 2017/12/28				MGRID, 2MM DUAL ROW HDR. SMT	
				CHK'D: SCS02 2018/04/06				PRODUCT CUSTOMER DRAWING	
				APPR: ISHWARG 2018/04/18					
4 PLACES ±				INITIAL REVISION:				DOCUMENT NUMBER	
3 PLACES ±				DRWN: KSEE 2003/12/12				SD-87759-117	
2 PLACES ± 0.2				APPR: SKTOH 2004/01/12				PSD 001 B10	
1 PLACE ±				MATERIAL NUMBER				CUSTOMER	
0 PLACES ±				SERIES				SHEET NUMBER	
ANGULAR TOL ± 3.0°				THIRD ANGLE PROJECTION		DRAWING		GENERAL MARKET	
DRAFT WHERE APPLICABLE MUST REMAIN WITHIN DIMENSIONS				A3-SIZE		87759		2 OF 8	

EMBOSSED CARRIER TAPE TYPE "A"

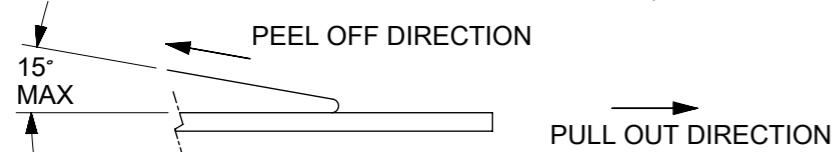


NOTES:

12. LEADER AND TRAILER TAPE



13. PEELING OFF FORCE OF THE TOP TAPE: 20 - 80gf.
(PEELING DIRECTION AS SHOWN IN FOLLOWING FIGURE)

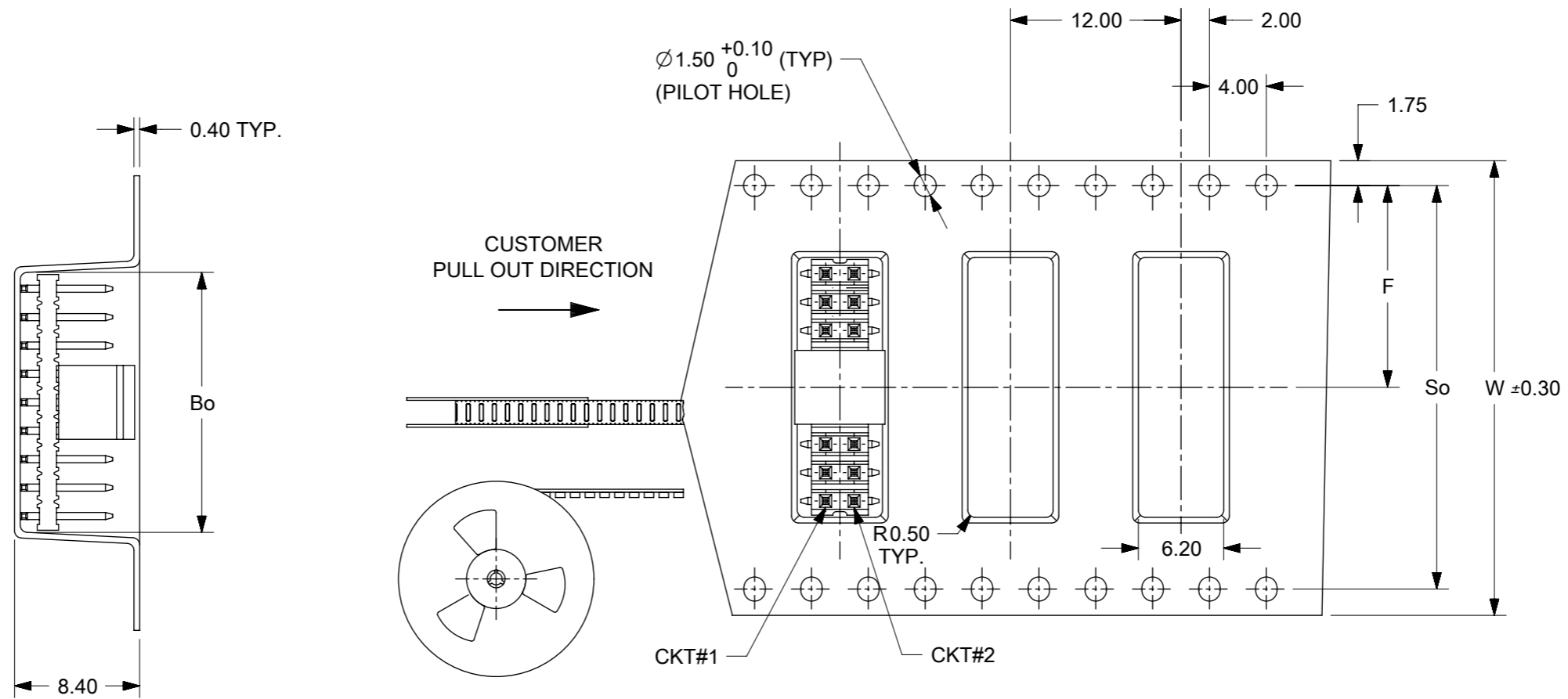


14. PACKAGING STANDARD IS AS PER EIA-481.
15. TAPE & REEL QUANTITY = SEE TABLE
16. THE TAPE IS TREATED FOR ANTI-STATIC

THIS DRAWING CONTAINS INFORMATION THAT IS PROPRIETARY TO MOLEX ELECTRONIC TECHNOLOGIES, LLC AND SHOULD NOT BE USED WITHOUT WRITTEN PERMISSION											
DIMENSION UNITS		SCALE		CURRENT REV DESC: ADD 87759-3279						molex	
mm		NTS									
GENERAL TOLERANCES (UNLESS SPECIFIED)				EC NO: 174700		DRWN: NVELUSAMY		2017/12/28		CUSTOMER	
				DRWN: KSEE		2018/04/06		MGRID, 2MM DUAL ROW HDR. SMT			
				APP: ISHWARG		2018/04/18		PRODUCT CUSTOMER DRAWING			
				INITIAL REVISION:		DOCUMENT NUMBER		DOC TYPE		DOC PART	
				DRWN: KSEE		2003/12/12		SD-87759-117		PSD	
				APP: SKTOH		2004/01/12		001		B10	
DRAFT WHERE APPLICABLE MUST REMAIN WITHIN DIMENSIONS				THIRD ANGLE PROJECTION		DRAWING		SERIES		SHEET NUMBER	
				A3-SIZE		87759		SEE TABLE		3 OF 8	

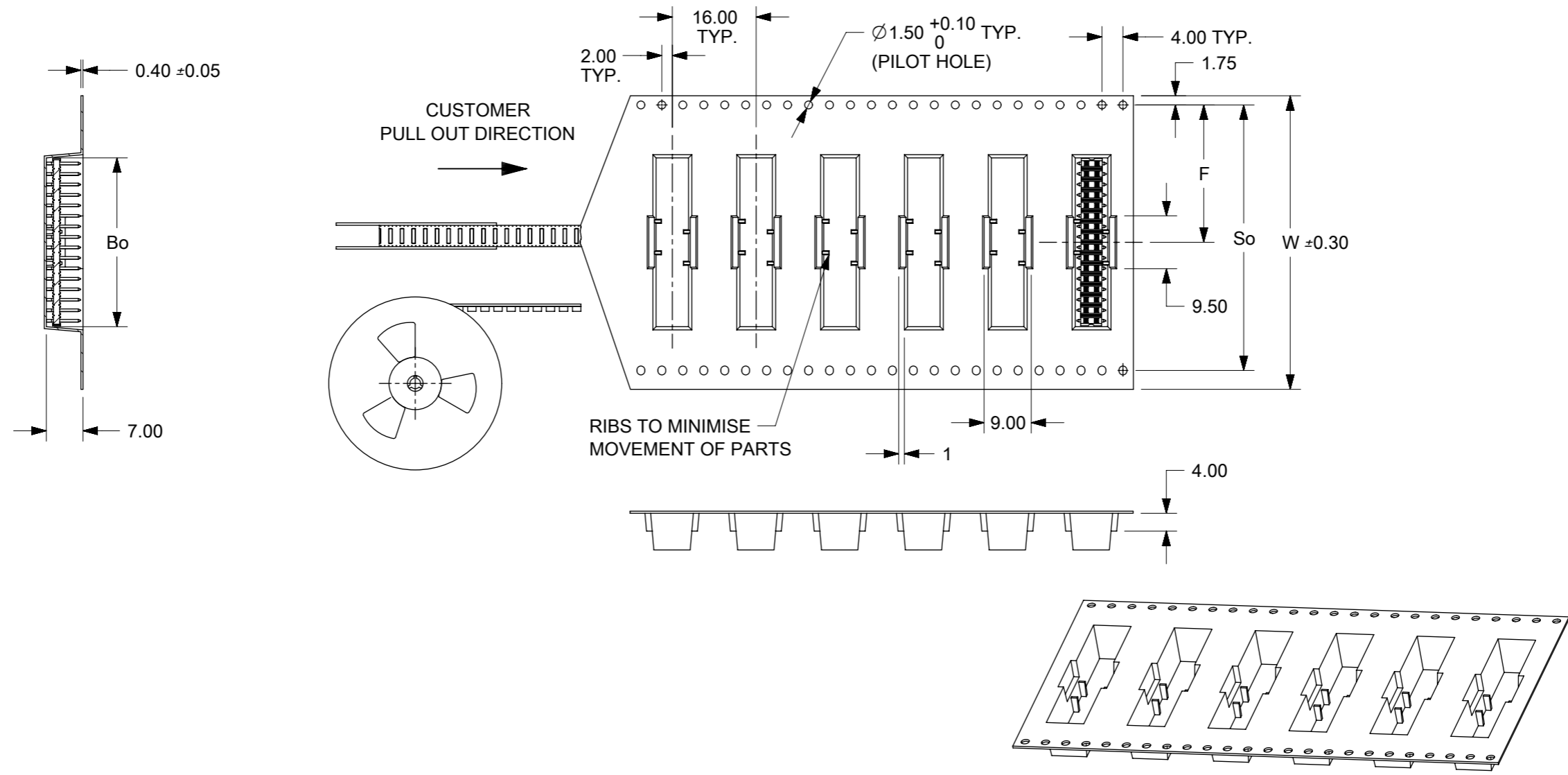
DOCUMENT STATUS	P1	RELEASE DATE	2018/04/18	05:28:02
-----------------	----	--------------	------------	----------

EMBOSSED CARRIER TAPE TYPE "B"



THIS DRAWING CONTAINS INFORMATION THAT IS PROPRIETARY TO MOLEX ELECTRONIC TECHNOLOGIES, LLC AND SHOULD NOT BE USED WITHOUT WRITTEN PERMISSION									
DIMENSION UNITS		SCALE		CURRENT REV DESC: ADD 87759-3279					
mm		NTS		<p align="center">CUSTOM HEADER MGRID, 2MM DUAL ROW HDR. SMT</p> <p align="center">PRODUCT CUSTOMER DRAWING</p>					
GENERAL TOLERANCES (UNLESS SPECIFIED)									
	MM	INCH							
4 PLACES	±								
3 PLACES	±								
2 PLACES	±	0.2	±	EC NO: 174700 DRWN: NVELUSAMY 2017/12/28 CHK'D: SCS02 2018/04/06 APPR: ISHWARG 2018/04/18					
1 PLACE	±			INITIAL REVISION: DRWN: KSEE 2003/12/12 APPR: SKTOH 2004/01/12					
0 PLACES	±			DOCUMENT NUMBER		DOC TYPE	DOC PART	REVISION	
ANGULAR TOL ± 3.0°				SD-87759-117		PSD	001	B10	
DRAFT WHERE APPLICABLE MUST REMAIN WITHIN DIMENSIONS				THIRD ANGLE PROJECTION	DRAWING	SERIES	MATERIAL NUMBER	CUSTOMER	SHEET NUMBER
					A3-SIZE	87759	SEE TABLE	GENERAL MARKET	4 OF 8

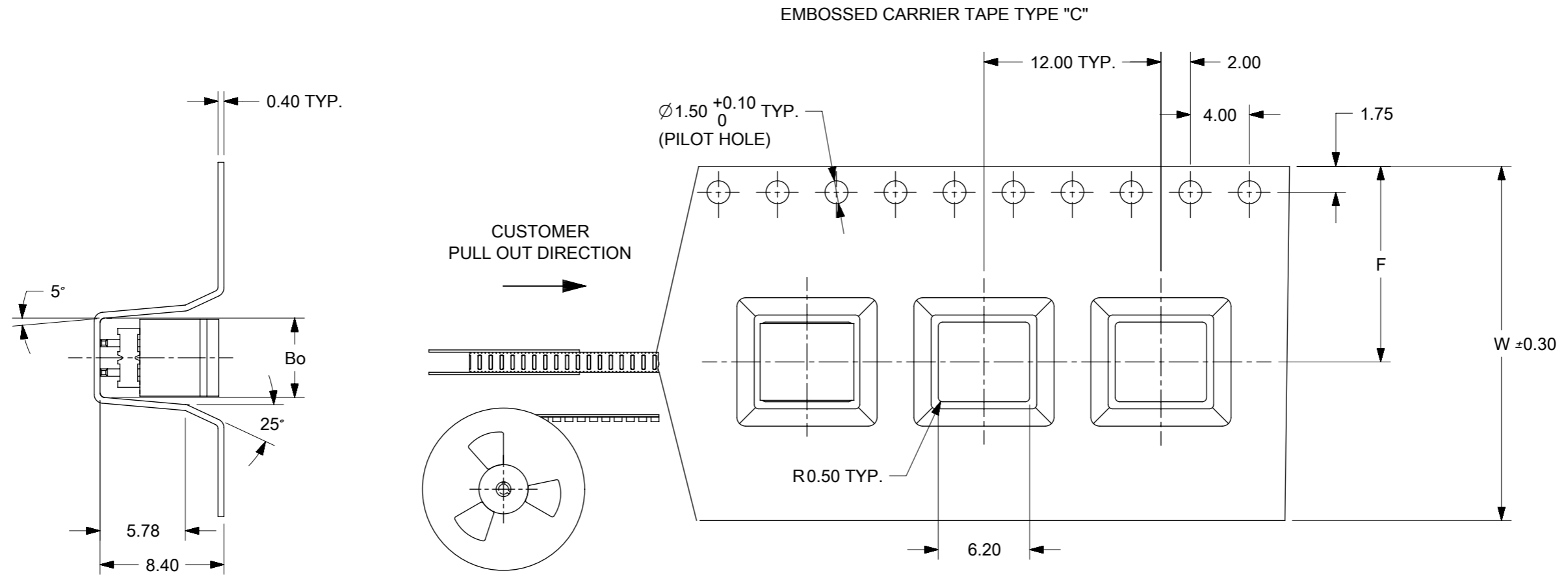
EMBOSED CARRIER TAPE TYPE 'B1'



THIS DRAWING CONTAINS INFORMATION THAT IS PROPRIETARY TO MOLEX ELECTRONIC TECHNOLOGIES, LLC AND SHOULD NOT BE USED WITHOUT WRITTEN PERMISSION									
DIMENSION UNITS		SCALE		CURRENT REV DESC: ADD 87759-3279				molex	
mm		NTS							
GENERAL TOLERANCES (UNLESS SPECIFIED)				EC NO: 174700		CUSTOMER		CUSTOMER	
		MM	INCH	DRWN: NVELUSAMY 2017/12/28		MGRID, 2MM DUAL ROW HDR. SMT			
4 PLACES		±	±	CHK'D: SCS02 2018/04/06		PRODUCT CUSTOMER DRAWING			
3 PLACES		±	±	APPR: ISHWARG 2018/04/18					
2 PLACES		± 0.2	±	INITIAL REVISION:		DOCUMENT NUMBER		DOC TYPE	DOC PART
1 PLACE		±	±	DRWN: KSEE 2003/12/12		SD-87759-117		PSD	001
0 PLACES		±	±	APPR: SKTOH 2004/01/12					B10
ANGULAR TOL		± 3.0°		DRAFT WHERE APPLICABLE MUST REMAIN WITHIN DIMENSIONS		THIRD ANGLE PROJECTION	DRAWING	SERIES	MATERIAL NUMBER
							A3-SIZE	87759	SEE TABLE
								GENERAL MARKET	SHEET NUMBER
									5 OF 8

DOCUMENT STATUS	P1	RELEASE DATE	2018/04/18	05:28:02
-----------------	----	--------------	------------	----------

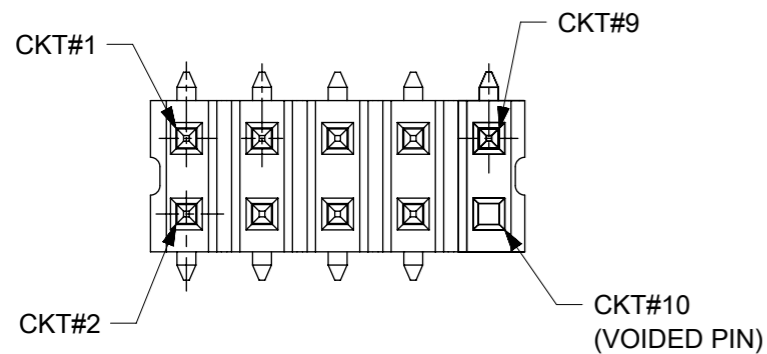
EMBOSED CARRIER TAPE TYPE "C"
 THIS TYPE OF CARRIER IS FOR CKT SIZE 8 AND BELOW.



THIS DRAWING CONTAINS INFORMATION THAT IS PROPRIETARY TO MOLEX ELECTRONIC TECHNOLOGIES, LLC AND SHOULD NOT BE USED WITHOUT WRITTEN PERMISSION									
DIMENSION UNITS		SCALE		CURRENT REV DESC: ADD 87759-3279				molex	
mm		NTS							
GENERAL TOLERANCES (UNLESS SPECIFIED)				EC NO: 174700		CUSTOMER		CUSTOMER	
				DRWN: NVELUSAMY		2017/12/28		MGRID, 2MM DUAL ROW HDR. SMT	
4 PLACES		±		CHK'D: SCS02		2018/04/06		PRODUCT CUSTOMER DRAWING	
3 PLACES		±		APPR: ISHWARG		2018/04/18		DOCUMENT NUMBER	
2 PLACES		± 0.2		INITIAL REVISION:		2003/12/12		SD-87759-117	
1 PLACE		±		DRWN: KSEE		2004/01/12		DOC TYPE	
0 PLACES		±		APPR: SKTOH		2004/01/12		PSD	
ANGULAR TOL		± 3.0°		DRAFT WHERE APPLICABLE MUST REMAIN WITHIN DIMENSIONS		THIRD ANGLE PROJECTION		DOC PART	
						DRAWING		REVISION	
						A3-SIZE		001	
						SERIES		B10	
						MATERIAL NUMBER		SHEET NUMBER	
						87759		6 OF 8	
						SEE TABLE		GENERAL MARKET	

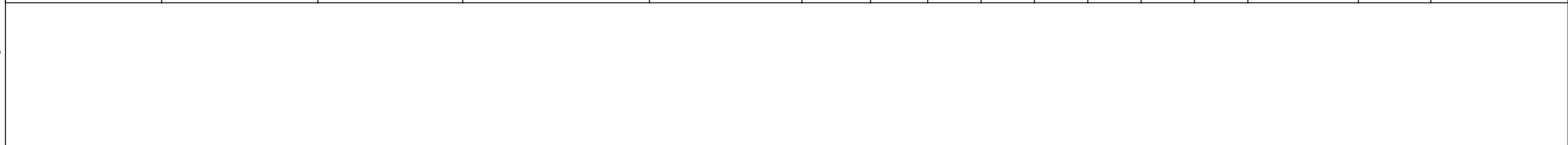
9	8	7	6	5	4	3	2	1							
PART NUMBER WITHOUT CAP IN TRAY	PART NUMBER WITHOUT CAP IN TUBE	PART NUMBER WITH CAP IN TUBE	PART NUMBER WITH CAP IN TAPE AND REEL.	PART NUMBER WITHOUT CAP IN TAPE AND REEL.	CKT SIZE	VOID CKTS	A	B	Bo	F	So	W	EMBOSSSED TYPE	QTY/ REEL	PLATING OPTION
87759-0414	-	87759-0464	87759-0474	-	4 ⁹	-	NA	2.00	5.20	11.50	-	24.00	C	750	
-	87759-0614	87759-0664	87759-0674	-	6 ⁹	-	NA	4.00	7.20	11.50	-	24.00	C		
-	87759-0814	87759-0864	87759-0874	-	8	-	7.90	6.00	8.20	11.50	-	24.00	C		
-	87759-1014	87759-1064	87759-1074	-	10	-	9.90	8.00	10.20	11.50	-	24.00	A		
-	87759-1002	87759-1003	87759-1004	-	10	10 ^A	9.90	8.00	10.20	11.50	-	24.00	A		
-	87759-1214	87759-1264	87759-1274	-	12	-	11.90	10.00	12.20	11.50	-	24.00	A		
-	87759-1414	87759-1464	87759-1474	-	14	-	13.90	12.00	14.20	11.50	-	24.00	A		
-	87759-1614	87759-1664	87759-1674	-	16	-	15.90	14.00	16.20	14.20	28.40	32.00	B		
-	87759-1814	87759-1864	87759-1874	-	18	-	17.90	16.00	18.20	14.20	28.40	32.00	B		
-	87759-2014	87759-2064	87759-2074	-	20	-	19.90	18.00	20.20	14.20	28.40	32.00	B		
-	87759-2214	87759-2264	87759-2274	-	22	-	21.90	20.00	22.20	20.20	40.40	44.00	B		
-	87759-2414	87759-2464	87759-2474	-	24	-	23.90	22.00	24.20	20.20	40.40	44.00	B		
-	87759-2614	87759-2664	87759-2674	-	26	-	25.90	24.00	26.20	20.20	40.40	44.00	B		
-	87759-2814	87759-2864	87759-2874	-	28	-	27.90	26.00	28.20	20.20	40.40	44.00	B		
-	87759-3014	87759-3064	87759-3074	-	30	-	29.90	28.00	30.20	20.20	40.40	44.00	B		
-	87759-3214	87759-3264	87759-3274	-	32	-	31.90	30.00	32.20	20.20	40.40	56.00	B		
-	-	-	-	B10 87759-3279	32	-	31.90	30.00	32.20	20.20	40.40	46.00	B1	500	
-	87759-3414	87759-3464	87759-3474	-	34	-	33.90	32.00	34.20	26.20	52.40	56.00	B	750	
-	87759-3614	87759-3664	87759-3674	-	36	-	35.90	34.00	36.20	26.20	52.40	56.00	B		
-	-	-	87759-3679	-	36	-	35.90	34.00	36.20	26.20	52.40	56.00	B1	500	
-	87759-3814	87759-3864	87759-3874	-	38	-	37.90	36.00	38.20	26.20	52.40	56.00	B		
-	87759-4014	87759-4064	87759-4074	-	40	-	39.90	38.00	40.20	26.20	52.40	56.00	B		
-	87759-4214	87759-4264	87759-4274	-	42	-	41.90	40.00	42.20	26.20	52.40	56.00	B		
-	87759-4414	87759-4464	87759-4474	-	44	-	43.90	42.00	44.20	26.20	52.40	56.00	B		
-	87759-4614	87759-4664	87759-4674	-	46	-	45.90	44.00	46.20	26.20	52.40	56.00	B		
-	87759-4814	87759-4864	87759-4874	-	48	-	47.90	46.00	48.20	26.20	52.40	56.00	B		
-	87759-5014	87759-5064	87759-5074	-	50	-	49.90	48.00	50.20	34.20	68.40	72.00	B		
-	87759-6814	87759-6864	87759-6874	-	8	-	7.90	6.00	8.20	11.50	-	24.00	C	3	

^ANOTES:
VOIDED PIN CKT#10



THIS DRAWING CONTAINS INFORMATION THAT IS PROPRIETARY TO MOLEX ELECTRONIC TECHNOLOGIES, LLC AND SHOULD NOT BE USED WITHOUT WRITTEN PERMISSION															
DIMENSION UNITS		SCALE		CURRENT REV DESC: ADD 87759-3279											
mm		NTS													
GENERAL TOLERANCES (UNLESS SPECIFIED)															
		MM	INCH	CUSTOM HEADER MGRID, 2MM DUAL ROW HDR. SMT PRODUCT CUSTOMER DRAWING EC NO: 174700 DRWN: NVELUSAMY 2017/12/28 CHK'D: SCS02 2018/04/06 APPR: ISHWARG 2018/04/18 INITIAL REVISION: DRWN: KSEE 2003/12/12 APPR: SKTOH 2004/01/12											
4 PLACES	±														
3 PLACES	±														
2 PLACES	±	0.2													
1 PLACE	±														
0 PLACES	±														
ANGULAR TOL		± 3.0°		DOCUMENT NUMBER: SD-87759-117 DOC TYPE: PSD DOC PART: 001 REVISION: B10											
DRAFT WHERE APPLICABLE MUST REMAIN WITHIN DIMENSIONS				THIRD ANGLE PROJECTION		DRAWING		SERIES		MATERIAL NUMBER		CUSTOMER		SHEET NUMBER	
						A3-SIZE		87759		SEE TABLE		GENERAL MARKET		7 OF 8	

9	8	7	6	5	4	3	2	1							
PART NUMBER WITHOUT CAP IN TRAY	PART NUMBER WITHOUT CAP IN TUBE	PART NUMBER WITH CAP IN TUBE	PART NUMBER WITH CAP IN TAPE AND REEL.	PART NUMBER WITHOUT CAP IN TAPE AND REEL.	CKT SIZE	VOID CKTS	A	B	Bo	F	So	W	EMBOSSED TYPE	QTY/ REEL	PLATING OPTION
87759-0415	-	87759-0465	87759-0475	-	4 $\frac{\Delta}{9}$	-	3.90 ±0.38	2.00	5.40	11.50	-	24.00	C	750	1
-	87759-0615	87759-0665	87759-0675	-	6 $\frac{\Delta}{9}$	-	5.90 ±0.38	4.00	7.20	11.50	-	24.00	C		
-	87759-0815	87759-0865	87759-0875	-	8	-	7.90	6.00	8.20	11.50	-	24.00	C		
-	87759-1015	87759-1065	87759-1075	-	10	-	9.90	8.00	10.20	11.50	-	24.00	A		
-	87759-1215	87759-1265	87759-1275	-	12	-	11.90	10.00	12.20	11.50	-	24.00	A		
-	87759-1415	87759-1465	87759-1475	-	14	-	13.90	12.00	14.20	11.50	-	24.00	A		
-	87759-1615	87759-1665	87759-1675	-	16	-	15.90	14.00	16.20	14.20	28.40	32.00	B		
-	87759-1815	87759-1865	87759-1875	-	18	-	17.90	16.00	18.20	14.20	28.40	32.00	B		
-	87759-2015	87759-2065	87759-2075	-	20	-	19.90	18.00	20.20	14.20	28.40	32.00	B		
-	87759-2215	87759-2265	87759-2275	-	22	-	21.90	20.00	22.20	20.20	40.40	44.00	B		
-	87759-2415	87759-2465	87759-2475	-	24	-	23.90	22.00	24.20	20.20	40.40	44.00	B		
-	87759-2615	87759-2665	87759-2675	-	26	-	25.90	24.00	26.20	20.20	40.40	44.00	B		
-	87759-2815	87759-2865	87759-2875	-	28	-	27.90	26.00	28.20	20.20	40.40	44.00	B		
-	87759-3015	87759-3065	87759-3075	-	30	-	29.90	28.00	30.20	20.20	40.40	44.00	B		
-	87759-3215	87759-3265	87759-3275	-	32	-	31.90	30.00	32.20	20.20	40.40	44.00	B		
-	87759-3415	87759-3465	87759-3475	-	34	-	33.90	32.00	34.20	26.20	52.40	56.00	B		
-	87759-3615	87759-3665	87759-3675	-	36	-	35.90	34.00	36.20	26.20	52.40	56.00	B		
-	87759-3815	87759-3865	87759-3875	-	38	-	37.90	36.00	38.20	26.20	52.40	56.00	B		
-	87759-4015	87759-4065	87759-4075	-	40	-	39.90	38.00	40.20	26.20	52.40	56.00	B		
-	87759-4215	87759-4265	87759-4275	-	42	-	41.90	40.00	42.20	26.20	52.40	56.00	B		
-	87759-4415	87759-4465	87759-4475	-	44	-	43.90	42.00	44.20	26.20	52.40	56.00	B		
-	87759-4615	87759-4665	87759-4675	-	46	-	45.90	44.00	46.20	26.20	52.40	56.00	B		
-	87759-4815	87759-4865	87759-4875	-	48	-	47.90	46.00	48.20	26.20	52.40	56.00	B		
-	87759-5015	87759-5065	87759-5075	-	50	-	49.90	48.00	50.20	34.20	68.40	72.00	B		



THIS DRAWING CONTAINS INFORMATION THAT IS PROPRIETARY TO MOLEX ELECTRONIC TECHNOLOGIES, LLC AND SHOULD NOT BE USED WITHOUT WRITTEN PERMISSION																																													
DIMENSION UNITS		SCALE		CURRENT REV DESC: ADD 87759-3279																																									
mm		NTS																																											
GENERAL TOLERANCES (UNLESS SPECIFIED)												CUSTOM HEADER																																	
												MGRID, 2MM DUAL ROW HDR. SMT																																	
												PRODUCT CUSTOMER DRAWING																																	
<table border="1"> <tr> <td>4 PLACES</td> <td>±</td> <td></td> <td>±</td> </tr> <tr> <td>3 PLACES</td> <td>±</td> <td></td> <td>±</td> </tr> <tr> <td>2 PLACES</td> <td>±</td> <td>0.2</td> <td>±</td> </tr> <tr> <td>1 PLACE</td> <td>±</td> <td></td> <td>±</td> </tr> <tr> <td>0 PLACES</td> <td>±</td> <td></td> <td>±</td> </tr> </table>												4 PLACES	±		±	3 PLACES	±		±	2 PLACES	±	0.2	±	1 PLACE	±		±	0 PLACES	±		±	EC NO: 174700 DRWN: NVELUSAMY 2017/12/28 CHK'D: SCS02 2018/04/06 APPR: ISHWARG 2018/04/18				DOCUMENT NUMBER SD-87759-117				DOC TYPE PSD		DOC PART 001		REVISION B10	
4 PLACES	±		±																																										
3 PLACES	±		±																																										
2 PLACES	±	0.2	±																																										
1 PLACE	±		±																																										
0 PLACES	±		±																																										
DRAFT WHERE APPLICABLE MUST REMAIN WITHIN DIMENSIONS												THIRD ANGLE PROJECTION		DRAWING A3-SIZE		SERIES 87759		MATERIAL NUMBER SEE TABLE		CUSTOMER GENERAL MARKET		SHEET NUMBER 8 OF 8																							

DOCUMENT STATUS	P1	RELEASE DATE	2018/04/18	05:28:02
-----------------	----	--------------	------------	----------