

9-160483-5 ✓ ACTIVE

**FASTON**

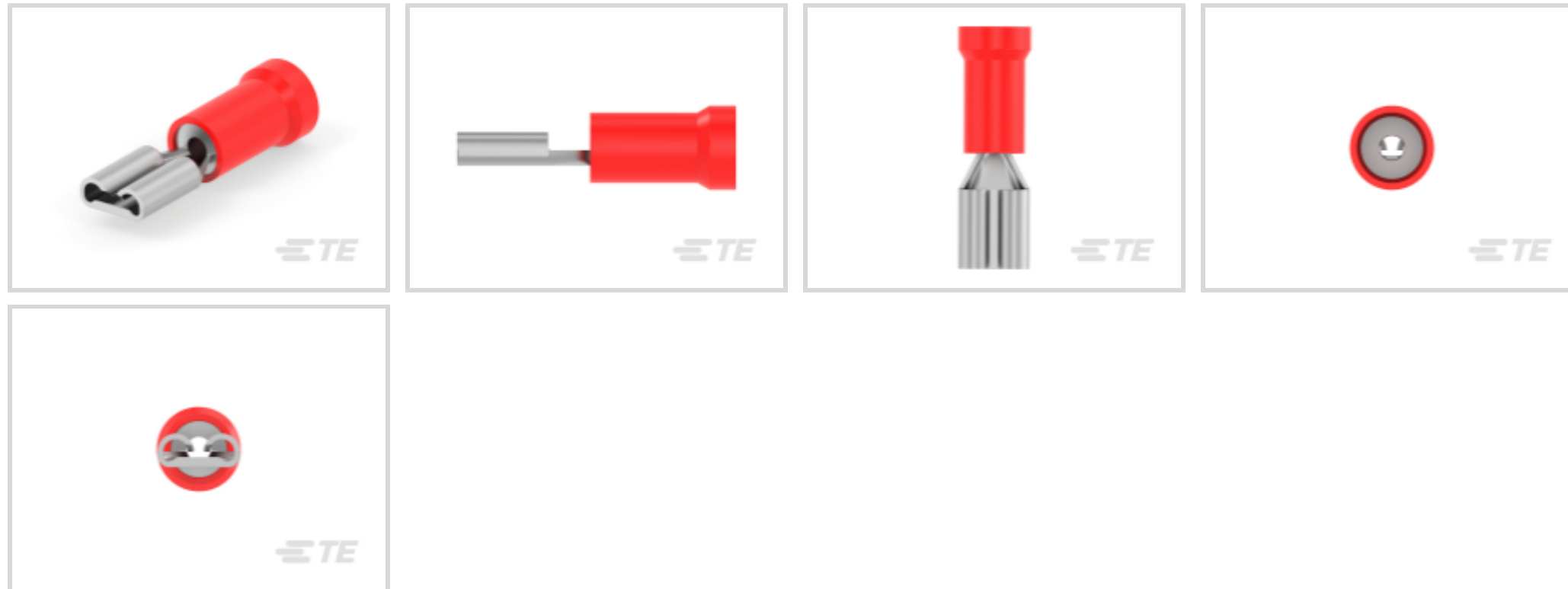
TE Internal #: 9-160483-5

Quick Disconnects, Receptacle, 22 – 16 AWG Wire Size, .3 – 1.5 mm<sup>2</sup> Wire Size, 592 – 3260 CMA Wire Size, Mating Tab Width .189 in [4.8 mm], Straight

[View on TE.com >](#)



Terminals & Splices > Quick Disconnects



Quick Disconnect Terminal Type: **Receptacle**

Wire Size: **592 – 3260 CMA**

Mating Tab Width: **4.8 mm [ .189 in ]**

**Features**

**Product Type Features**

Terminates To	Wire & Cable
Wire Stop	No
Insertion Force	Normal
Sealable	No

**Configuration Features**

Connection Capacity	Single
---------------------	--------

**Electrical Characteristics**

Voltage (Max)	300 V
---------------	-------

**Body Features**

Insulation Material	Nylon
---------------------	-------

**Contact Features**

Quick Disconnect Terminal Type	Receptacle
Mating Tab Width	4.8 mm[.189 in]
Mating Tab Thickness	.8 mm[.031 in]
Terminal Orientation	Straight



Contact Base Material	Phosphor Bronze
Terminal Plating Material	Tin
Crimp Type	Compression
Barrel Type	Closed

### Mechanical Attachment

Wire Insulation Support	With
-------------------------	------

### Dimensions

Accepts Wire Insulation Diameter Range	3.56 mm[.14 in]
Overall Length	20.88 mm[.822 in]
Wire Size	592 – 3260 CMA

### Usage Conditions

Insulation Option	Partially Insulated
Operating Temperature Range	105 °C[221 °F]

### Packaging Features

Packaging Quantity	1000
Packaging Method	Loose Piece

### Other

Barrel Color	Red
--------------	-----

## Product Compliance

[For compliance documentation, visit the product page on TE.com>](#)

EU RoHS Directive 2011/65/EU	Compliant
EU ELV Directive 2000/53/EC	Compliant
China RoHS 2 Directive MIIT Order No 32, 2016	No Restricted Materials Above Threshold
EU REACH Regulation (EC) No. 1907/2006	Current ECHA Candidate List: JUNE 2022 (224) Candidate List Declared Against: JUNE 2022 (224) Does not contain REACH SVHC
Halogen Content	Low Halogen - Br, Cl, F, I < 900 ppm per homogenous material. Also BFR/CFR/PVC Free
Solder Process Capability	Not applicable for solder process capability

Product Compliance Disclaimer

This information is provided based on reasonable inquiry of our suppliers and represents our current actual knowledge based on the information they provided. This information is subject to change. The part numbers that TE has identified as EU RoHS compliant have a maximum concentration of 0.1% by weight in homogenous materials for lead, hexavalent chromium, mercury, PBB, PBDE, DBP, BBP, DEHP, DIBP, and 0.01% for cadmium, or qualify for an exemption to these limits as defined in the Annexes of Directive 2011/65/EU (RoHS2). Finished electrical and electronic equipment products will be CE marked as required by Directive 2011/65/EU. Components may not be CE marked. Additionally, the part numbers that TE has identified as EU ELV compliant have a maximum concentration of 0.1% by weight in homogenous materials for lead, hexavalent chromium, and mercury, and 0.01% for cadmium, or qualify for an exemption to these limits as defined in the Annexes of Directive 2000/53/EC (ELV). Regarding the REACH Regulation, the information TE provides on SVHC in articles for this part number is based on the latest European Chemicals Agency (ECHA) 'Guidance on requirements for substances in articles' posted at this URL: <https://echa.europa.eu/guidance-documents/guidance-on-reach>

## Compatible Parts



REPRESENTATION ONLY

TE Part # 47386-4  
DAHT PG PIDG 26-16 ASSY



TE Part # 58433-3  
PRO CR ASSY, RBY IS9252



TE Part # 58423-1  
DIE, RBY IS9252



TE Part # 2323802-3  
SSRMP SERES, Mini Puck, 10A, 240V AC-DC I/P




TE Part # 2323802-9  
SSRMP SERES, Mini Puck, 10A, 240VAC, R-DC I/P



TE Part # 2323802-8  
SSRMP SERES, Mini Puck, 16A, 240VAC, R-DC I/P



TE Part # 2323802-1  
SSRMP SERES, Mini Puck, 25A, 240V AC-DC I/P



TE Part # 2323802-6  
SSRMP SERES, Mini Puck, 10A, 480V AC-DC I/P



TE Part # 1-2323802-3  
SSRMP SERES, Mini Puck, 10A, 480VAC, R-DC I/P



TE Part # 2323802-5  
SSRMP SERES, Mini Puck, 16A, 480V AC-DC I/P



TE Part # 1-2323802-2  
SSRMP SERES, Mini Puck, 16A, 480VAC, R-DC I/P



TE Part # 2323802-4  
SSRMP SERES, Mini Puck, 25A, 480V AC-DC I/P



REPRESENTATION ONLY

TE Part # 525690  
DAHT PG PIDG 20-18 ASSY



TE Part # 539691-2  
ERGO DIE R.B.Y



REPRESENTATION ONLY

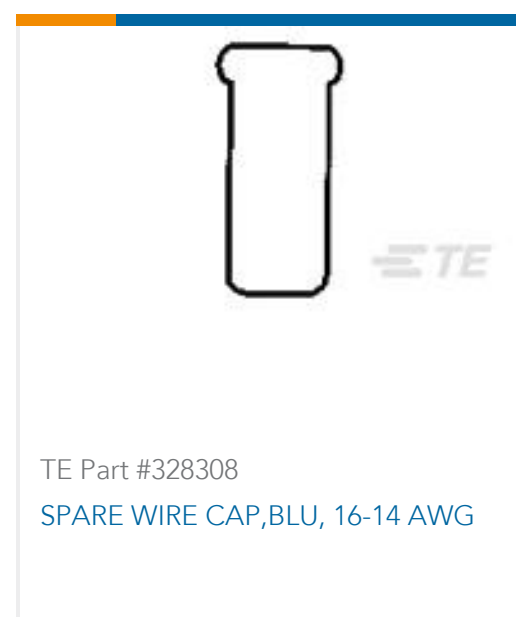
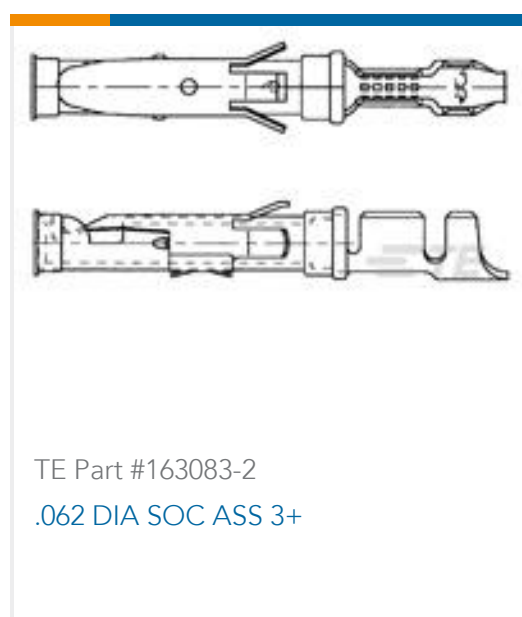
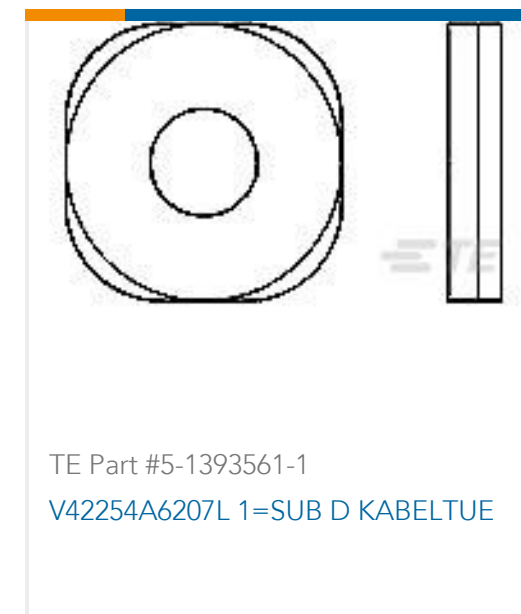
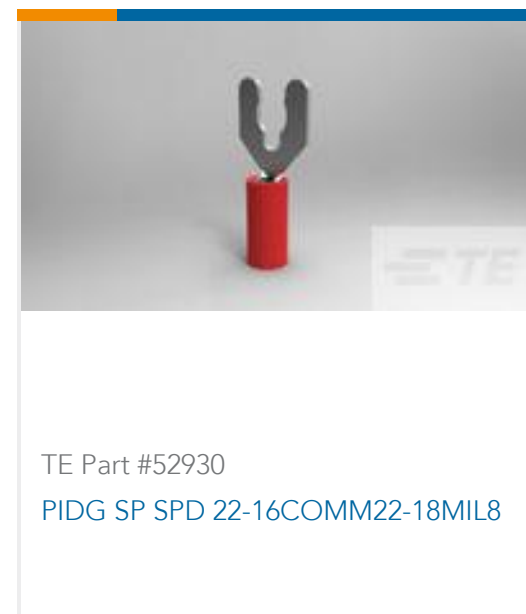
TE Part # 90035-3  
DAHT PIDG FASTON 22-18 ASSY



TE Part # 2323802-2  
SSRMP SERES, Mini Puck, 16A, 240V AC-DC I/P



## Customers Also Bought



## Documents

### Product Drawings

#### 187 PIDG FASTON REC

English

### CAD Files

#### 3D PDF

English

#### Customer View Model

[ENG\\_CVM\\_9-160483-5\\_J.2d\\_dxf.zip](#)

English

#### Customer View Model

[ENG\\_CVM\\_9-160483-5\\_J.3d\\_igs.zip](#)

English

#### Customer View Model

[ENG\\_CVM\\_9-160483-5\\_J.3d\\_stp.zip](#)

English

#### 3D PDF



3D

Customer View Model

[ENG\\_CVM\\_CVM\\_9-160483-5\\_L.2d\\_dxf.zip](#)

English

Customer View Model

[ENG\\_CVM\\_CVM\\_9-160483-5\\_L.3d\\_igs.zip](#)

English

Customer View Model

[ENG\\_CVM\\_CVM\\_9-160483-5\\_L.3d\\_stp.zip](#)

English

By downloading the CAD file I accept and agree to the [Terms and Conditions](#) of use.

### Product Environmental Compliance

[MD\\_9-160483-5\\_0622201698\\_dmtec](#)

English

[MD\\_9-160483-5\\_0622201698\\_dmtec](#)

English