



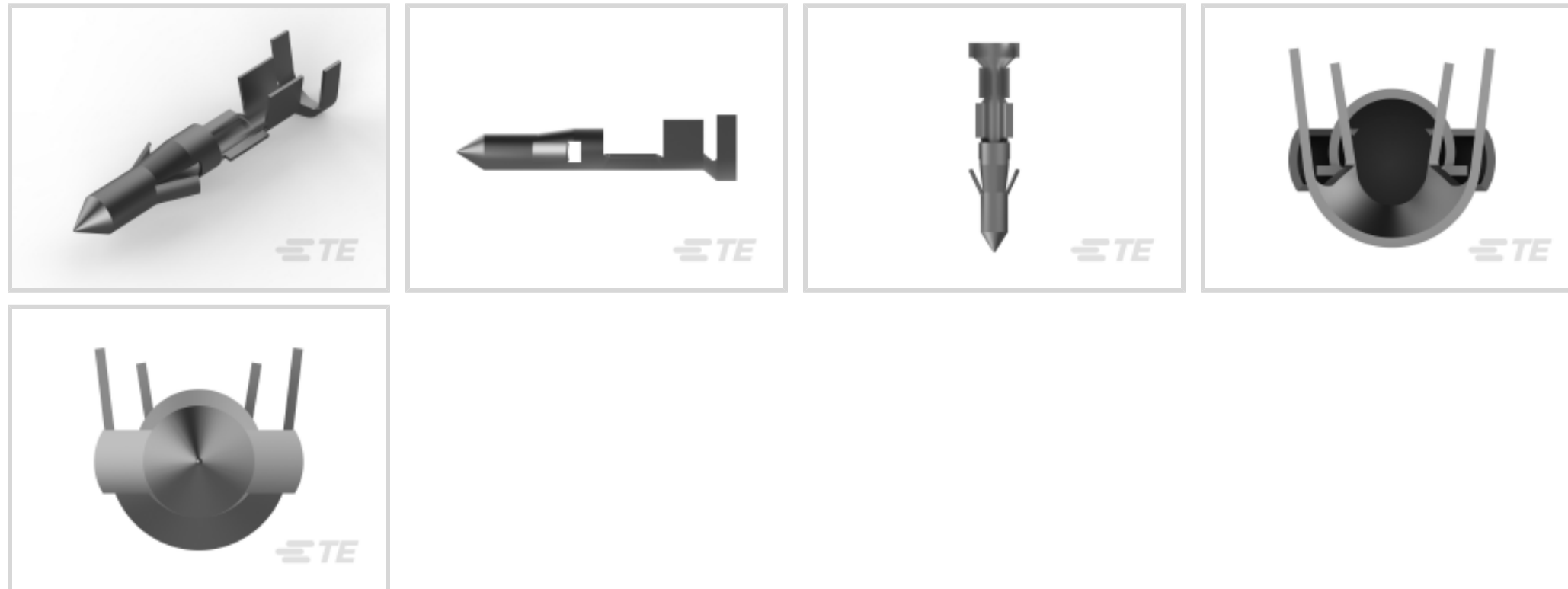
Commercial Pin and Socket Connectors

TE Internal #: 770530-1

Power Contacts, Contact, 600 VAC / 250 VAC, Pre-Tin, 20 – 14 AWG Wire Size, .52 – 2.08 mm² Wire Size, Commercial Pin and Socket Connectors

[View on TE.com >](#)

Connectors > Power Connectors > Power Contacts



Power Contact Type: **Contact**

Operating Voltage: **250 VAC, 600 VAC**

Contact Mating Area Plating Material: **Pre-Tin**

Wire Size: **.52 – 2.08 mm²**

Features

Product Type Features

Power Contact Type	Contact
Connector System	Wire-to-Wire
Connector & Contact Terminates To	Wire & Cable

Electrical Characteristics

Operating Voltage	250 VAC, 600 VAC
-------------------	------------------

Contact Features

Contact Mating Area Plating Material	Pre-Tin
Contact Current Rating (Max)	13 A
Contact Type	Pin
Contact Retention Within Housing	With
Mating Pin Diameter	2.36 mm[.093 in]
Contact Base Material	Brass
Wire Contact Termination Area Plating Material	Pre-Tin
Wire Contact Termination Area Plating Material Finish	Matte
Contact Orientation	Straight



Termination Features

Termination Method to Wire & Cable	Crimp
------------------------------------	-------

Mechanical Attachment

Contact Retention Type Within Housing	Locking Lance
Connector Mounting Type	Cable Mount (Free-Hanging)
Wire Insulation Support	Without

Dimensions

Wire Size	.52 – 2.08 mm ²
Accepts Wire Insulation Diameter Range	4.06 mm [.16 in]

Usage Conditions

Operating Temperature Range	-55 – 105 °C [-67 – 221 °F]
-----------------------------	-----------------------------

Operation/Application

Circuit Application	Power
---------------------	-------

Industry Standards

Glow Wire Rating	Standard Part - Not Glow Wire
------------------	-------------------------------

Packaging Features

Packaging Method	Reel
Packaging Quantity	3750

Other

Wire/Cable Type	Discrete Wire
Wire Type	Stranded
For Use With	Socket

Product Compliance

For compliance documentation, visit the product page on [TE.com](https://www.te.com)>

EU RoHS Directive 2011/65/EU	Compliant
EU ELV Directive 2000/53/EC	Compliant
China RoHS 2 Directive MIIT Order No 32, 2016	No Restricted Materials Above Threshold
EU REACH Regulation (EC) No. 1907/2006	Current ECHA Candidate List: JUNE 2022 (224) Candidate List Declared Against: JAN 2022 (223) SVHC > Threshold:

Not Yet Reviewed

Halogen Content

Low Halogen - Br, Cl, F, I < 900 ppm per homogenous material. Also BFR/CFR/PVC Free

Solder Process Capability

Not applicable for solder process capability

Product Compliance Disclaimer

This information is provided based on reasonable inquiry of our suppliers and represents our current actual knowledge based on the information they provided. This information is subject to change. The part numbers that TE has identified as EU RoHS compliant have a maximum concentration of 0.1% by weight in homogenous materials for lead, hexavalent chromium, mercury, PBB, PBDE, DBP, BBP, DEHP, DIBP, and 0.01% for cadmium, or qualify for an exemption to these limits as defined in the Annexes of Directive 2011/65/EU (RoHS2). Finished electrical and electronic equipment products will be CE marked as required by Directive 2011/65/EU. Components may not be CE marked. Additionally, the part numbers that TE has identified as EU ELV compliant have a maximum concentration of 0.1% by weight in homogenous materials for lead, hexavalent chromium, and mercury, and 0.01% for cadmium, or qualify for an exemption to these limits as defined in the Annexes of Directive 2000/53/EC (ELV). Regarding the REACH Regulation, the information TE provides on SVHC in articles for this part number is based on the latest European Chemicals Agency (ECHA) 'Guidance on requirements for substances in articles' posted at this URL: <https://echa.europa.eu/guidance-documents/guidance-on-reach>

Compatible Parts



TE Part # 770096-1
09P .093 COMM P&S PLUG



TE Part # 770373-1
06P .093 COMM P&S PLUG .250CL



TE Part # 770361-1
06P .093 COMM P&S PLUG .250CL



TE Part # 770276-1
03P .093 COMM P&S PLUG .250CL



TE Part # 770102-1
12P .093 COMM P&S PLUG



TE Part # 770070-1
03P .093 COMM P&S RECPT HSG



TE Part # 770372-1
06P .093 COMM P&S RECPT .250CL



TE Part # 770068-1
02P .093 COMM P&S PLUG .248CL



TE Part # 770782-1
06P .093 COMM P&S RECPT



TE Part # 770339-1
03P .093 COMM P&S RECPT .250CL



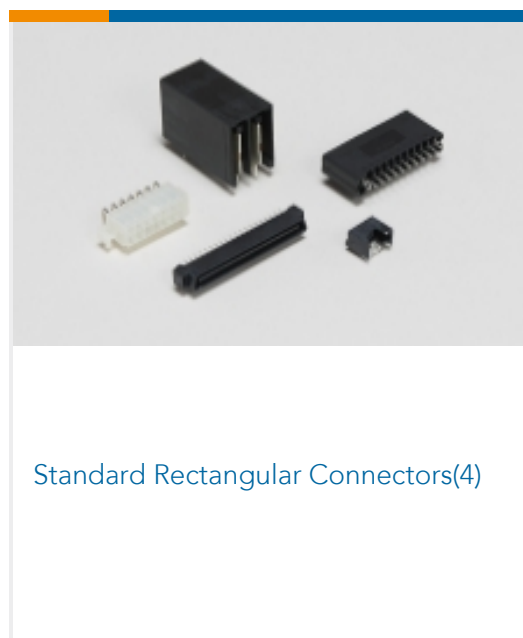
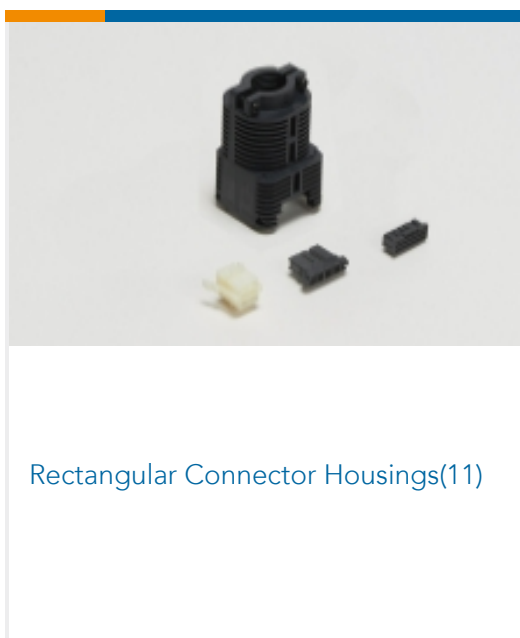
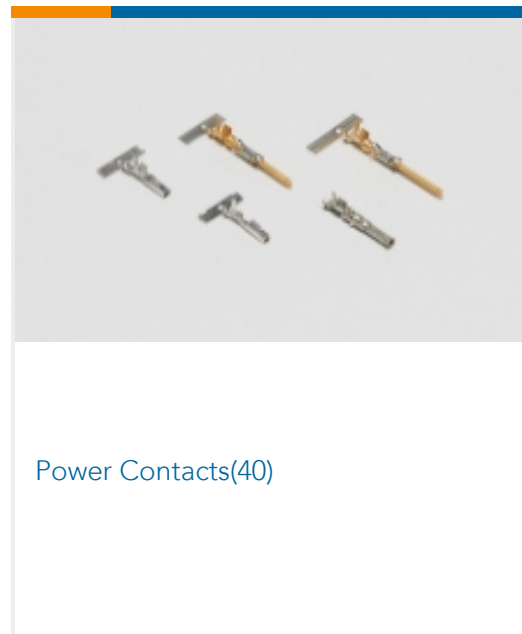
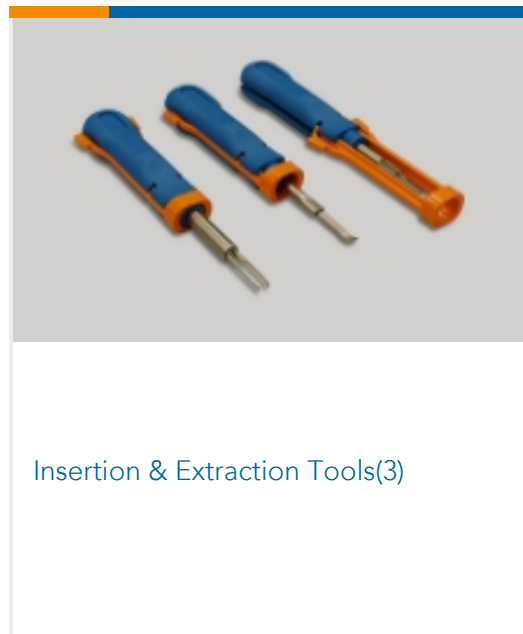
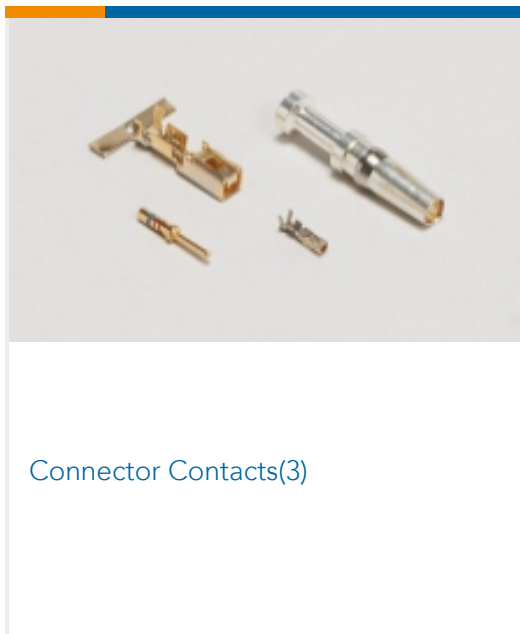
TE Part # 770064-1
01P .093 COMM P&S PLUG HSG



TE Part # 770071-1
03P .093 COMM P&S RECPT HSG

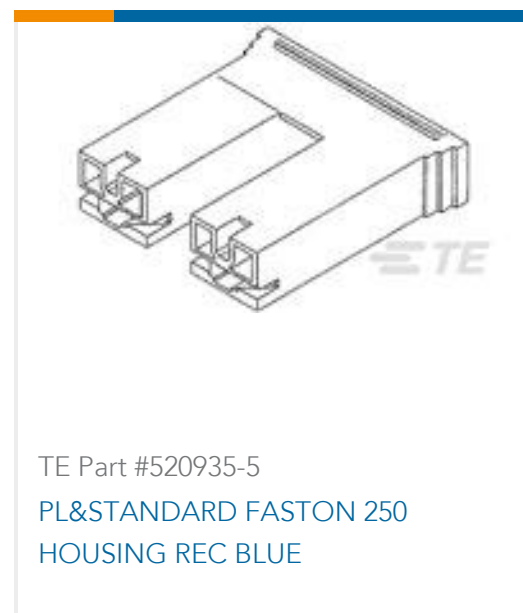
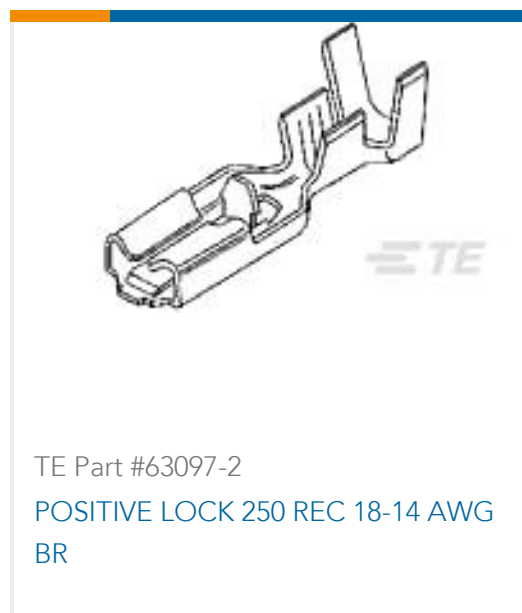


Also in the Series | Commercial Pin and Socket Connectors



Customers Also Bought





Documents

Product Drawings

[.093 COMM P&S PIN 14-20 PTPBR](#)

English

CAD Files

Customer View Model

[ENG_CVM_770530-1_J.3d_igs.zip](#)

English

Customer View Model

[ENG_CVM_770530-1_J.3d_stp.zip](#)

English

Customer View Model

[ENG_CVM_770530-1_J.2d_dxf.zip](#)

English

3D PDF

English

3D PDF

3D

Customer View Model

[ENG_CVM_CVM_770530-1_N.2d_dxf.zip](#)

English

Customer View Model

[ENG_CVM_CVM_770530-1_N.3d_igs.zip](#)

English

Customer View Model

[ENG_CVM_CVM_770530-1_N.3d_stp.zip](#)

English



By downloading the CAD file I accept and agree to the [Terms and Conditions](#) of use.

Datasheets & Catalog Pages

[SOFT_SHELL_PIN_SOCKET_CONNECTORS_STANDARD_DENSITY](#)

English

Product Specifications

[Application Specification](#)

English

Product Environmental Compliance

[MD_770530-1_10272017436_dmtec](#)

English

[MD_770530-1_10272017436_dmtec](#)

English