



Connectors &gt; Power Connectors &gt; Power Contacts

Power Contact Type: **Contact**Operating Voltage: **600 VDC**Contact Mating Area Plating Material: **Pre-Tin**Wire Size: **20 – 16 AWG**

## Features

### Product Type Features

Power Contact Type	Contact
Connector System	Wire-to-Wire
Connector & Contact Terminates To	Wire & Cable

### Electrical Characteristics

Operating Voltage	600 VDC
-------------------	---------

### Contact Features

Contact Mating Area Plating Material	Pre-Tin
Contact Current Rating (Max)	11.2 A
Contact Type	Socket
Contact Retention Within Housing	With
Mating Pin Diameter	1 mm [.039 in]
Contact Base Material	Phosphor Bronze
Wire Contact Termination Area Plating Thickness	2.54 – 6.35 µm [100 – 250 µin]
Wire Contact Termination Area Plating Material	Pre-Tin
Wire Contact Termination Area Plating Material Finish	Bright



Contact Orientation	Straight
---------------------	----------

### Termination Features

Termination Method to Wire & Cable	Crimp
------------------------------------	-------

### Mechanical Attachment

Connector Mounting Type	Cable Mount (Free-Hanging)
-------------------------	----------------------------

Wire Insulation Support	Without
-------------------------	---------

### Dimensions

Wire Size	.5 – 1.4 mm <sup>2</sup>
-----------	--------------------------

Accepts Wire Insulation Diameter Range	2 – 3.2 mm [.079 – .126 in]
--	-----------------------------

### Usage Conditions

Operating Temperature Range	-55 – 105 °C [-67 – 221 °F]
-----------------------------	-----------------------------

### Operation/Application

Circuit Application	Power
---------------------	-------

### Industry Standards

CSA Rating	Certified
------------	-----------

Glow Wire Rating	Standard Part - Not Glow Wire
------------------	-------------------------------

VDE Tested	No
------------	----

Agency/Standard	CSA, UL
-----------------	---------

CSA File Number	LR 7189
-----------------	---------

UL Rating	Recognized
-----------	------------

UL File Number	E28476
----------------	--------

### Packaging Features

Packaging Method	Reel
------------------	------

Packaging Quantity	4500
--------------------	------

### Other

Wire/Cable Type	Discrete Wire
-----------------	---------------

Wire Type	Stranded
-----------	----------

For Use With	Plug Housing
--------------	--------------

### Product Compliance

[For compliance documentation, visit the product page on TE.com>](#)



EU RoHS Directive 2011/65/EU	Compliant
EU ELV Directive 2000/53/EC	Compliant
China RoHS 2 Directive MIIT Order No 32, 2016	No Restricted Materials Above Threshold
EU REACH Regulation (EC) No. 1907/2006	Current ECHA Candidate List: JUNE 2022 (224) Candidate List Declared Against: JAN 2022 (223) SVHC > Threshold: Not Yet Reviewed
Halogen Content	Low Halogen - Br, Cl, F, I < 900 ppm per homogenous material. Also BFR/CFR/PVC Free
Solder Process Capability	Not applicable for solder process capability

Product Compliance Disclaimer

This information is provided based on reasonable inquiry of our suppliers and represents our current actual knowledge based on the information they provided. This information is subject to change. The part numbers that TE has identified as EU RoHS compliant have a maximum concentration of 0.1% by weight in homogenous materials for lead, hexavalent chromium, mercury, PBB, PBDE, DBP, BBP, DEHP, DIBP, and 0.01% for cadmium, or qualify for an exemption to these limits as defined in the Annexes of Directive 2011/65/EU (RoHS2). Finished electrical and electronic equipment products will be CE marked as required by Directive 2011/65/EU. Components may not be CE marked. Additionally, the part numbers that TE has identified as EU ELV compliant have a maximum concentration of 0.1% by weight in homogenous materials for lead, hexavalent chromium, and mercury, and 0.01% for cadmium, or qualify for an exemption to these limits as defined in the Annexes of Directive 2000/53/EC (ELV). Regarding the REACH Regulation, the information TE provides on SVHC in articles for this part number is based on the latest European Chemicals Agency (ECHA) 'Guidance on requirements for substances in articles' posted at this URL: <https://echa.europa.eu/guidance-documents/guidance-on-reach>

## Compatible Parts



TE Part # 91536-1  
CCII MINI-UMNL PIN 20-18 16-20x2 ASSY



TE Part # 189727-1  
EXTRACTION TOOL



TE Part # 455830-1  
INSERTION TOOL



TE Part # 770586-1  
22P MINI UMNL PLUG HSG



TE Part # 770587-1  
24P MINI UMNL PLUG HSG



TE Part # 770582-1  
14P MINI UMNL PLUG HSG



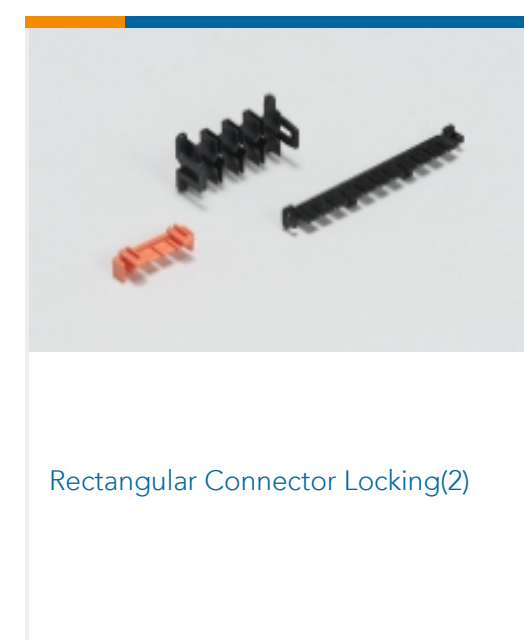
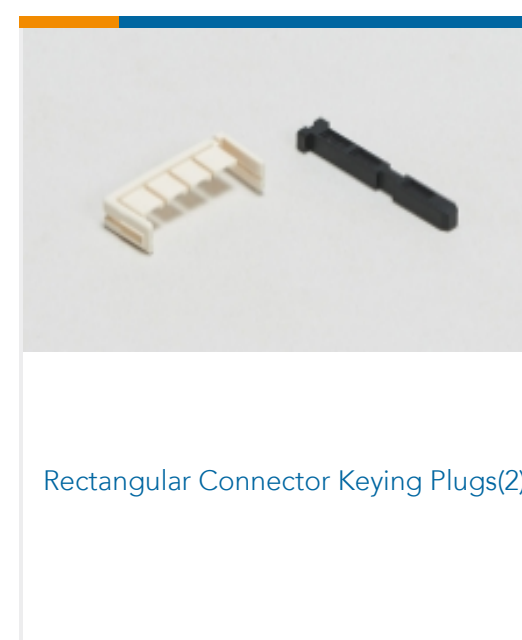
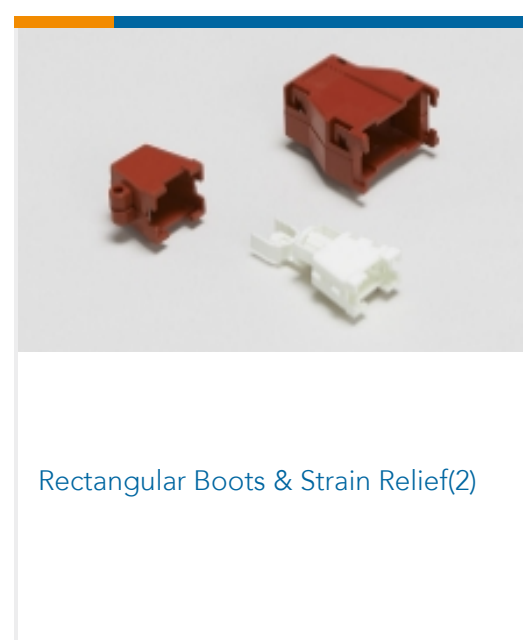
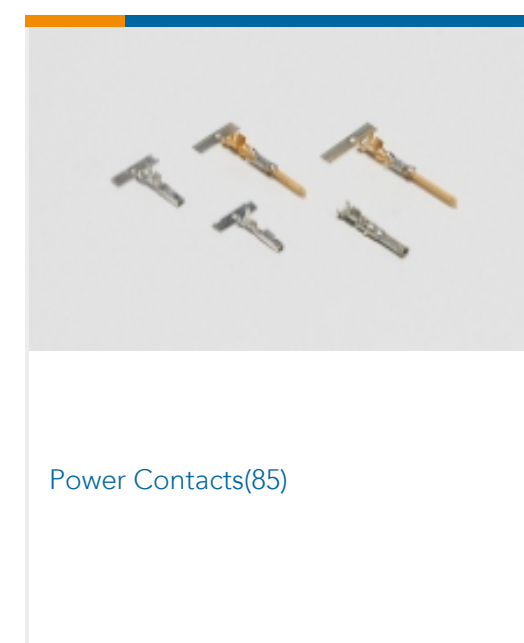
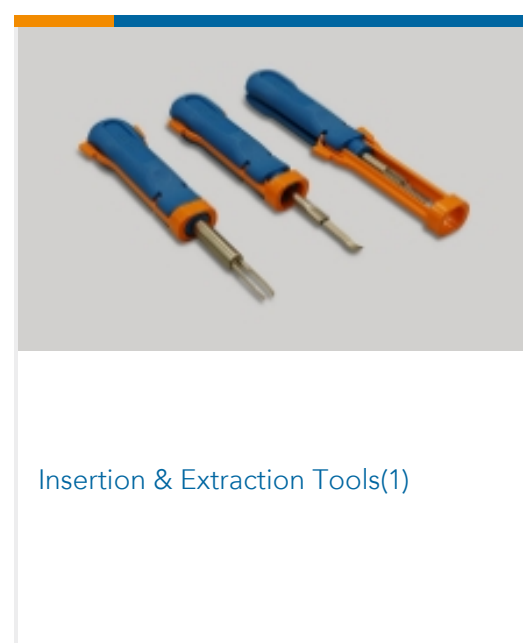
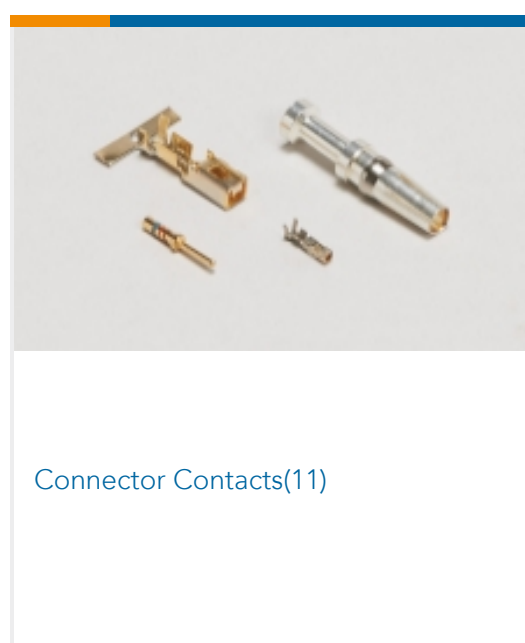
TE Part # 770585-1  
20P MINI UMNL PLUG HSG



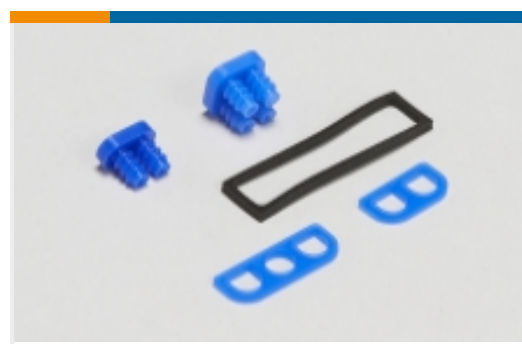
TE Part # 172333-1  
MINI UNIVERSAL M-N-L HOUSING



## Also in the Series | Mini-Universal MATE-N-LOK





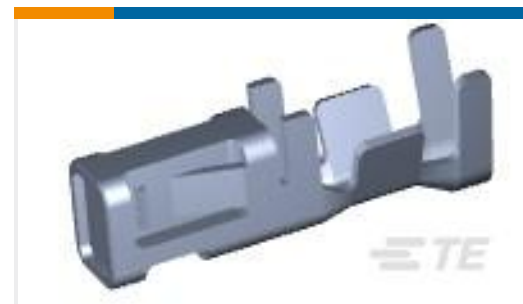
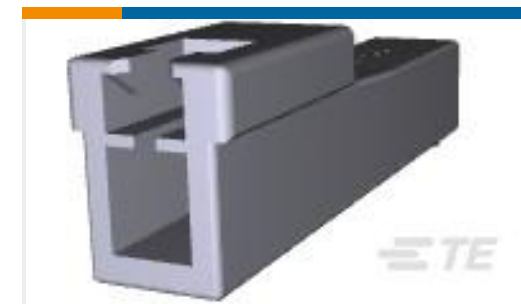
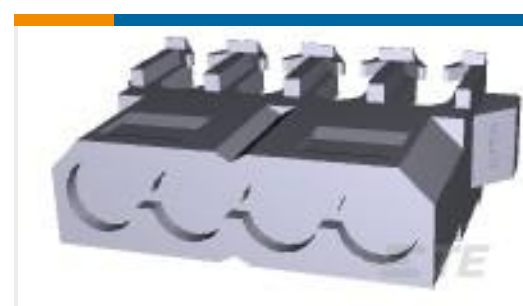
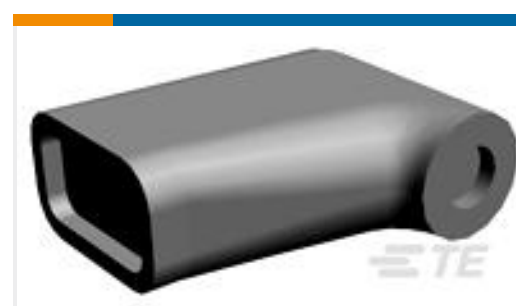
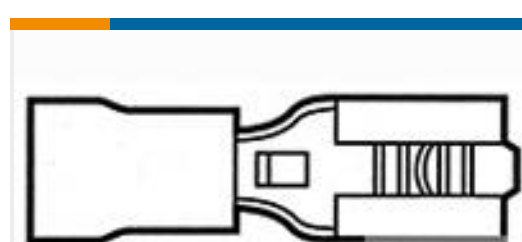


Rectangular Connector Seals(20)



Rectangular Power Connectors(283)

## Customers Also Bought

TE Part #1971786-2  
PTL TAB CONTACT, 20 - 22 AWGTE Part #1971795-1  
NEW GI CONN2.5 REC. CONTACTTE Part #1-770902-1  
MINI UMNL SOK 26-22 AWG AU LFTE Part #176281-1  
UNIV POWER CAP HSG 1P F/HTE Part #66579-7  
TYPE VI PIN, MULTI-MATETE Part #770156-3  
4P CMNL IDC PLUG 18AWG ORG V2TE Part #170891-1  
250 FASTON HSG., FLAG, REC., NATURALTE Part #60772-2  
RING CRIMP 18-14 AWG TPBRTE Part #184235-1  
RECEIPT, PIDG FASTON 16-14 187

## Documents

### CAD Files

[3D PDF](#)

[3D](#)

### Customer View Model

[ENG\\_CVM\\_CVM\\_794407-4\\_F.2d\\_dxf.zip](#)

English

### Customer View Model

[ENG\\_CVM\\_CVM\\_794407-4\\_F.3d\\_igs.zip](#)



English

**Customer View Model**

[ENG\\_CVM\\_CVM\\_794407-4\\_F.3d\\_stp.zip](#)

English

By downloading the CAD file I accept and agree to the [Terms and Conditions](#) of use.

**Datasheets & Catalog Pages**

[SOFT\\_SHELL\\_PIN\\_AND\\_SOCKET\\_CONNECTORS\\_CATALOG](#)

English

**Product Specifications**

[Application Specification](#)

English

**Product Environmental Compliance**

[TE Material Declaration](#)

English