



Terminals & Splices > Quick Disconnects

Quick Disconnect Terminal Type: **Receptacle**Wire Size: **1.03 – 2.62 mm²**Mating Tab Width: **6.35 mm [.25 in]**Mating Tab Thickness: **.81 mm [.032 in]**

Features

Product Type Features

Terminates To	Wire & Cable
Wire Stop	No
Wire/Cable Type	Discrete Wire
Insertion Force	Low
Sealable	No

Contact Features

Quick Disconnect Terminal Type	Receptacle
Mating Tab Width	6.35 mm [.25 in]
Mating Tab Thickness	.81 mm [.032 in]
Terminal Orientation	Straight
Contact Base Material	Brass
Terminal Plating Material	Unplated
Crimp Type	F-Crimp
Barrel Type	Open

Mechanical Attachment



Mating Retention Type	Dimple
-----------------------	--------

Wire Insulation Support	With
-------------------------	------

Dimensions

Accepts Wire Insulation Diameter Range	2.7 – 4 mm [.106 – .157 in]
--	-----------------------------

Overall Length	21.3 mm [.838 in]
----------------	-------------------

Receptacle Terminal Stock Thickness	.41 mm [.016 in]
-------------------------------------	------------------

Wire Size	1.03 – 2.62 mm ²
-----------	-----------------------------

Usage Conditions

Insulation Option	Uninsulated
-------------------	-------------

Industry Standards

UL Rating	Recognized
-----------	------------

Packaging Features

Packaging Quantity	1300
--------------------	------

Packaging Method	Reel
------------------	------

Product Compliance

[For compliance documentation, visit the product page on TE.com>](#)

EU RoHS Directive 2011/65/EU	Compliant
------------------------------	-----------

EU ELV Directive 2000/53/EC	Compliant
-----------------------------	-----------

China RoHS 2 Directive MIIT Order No 32, 2016	No Restricted Materials Above Threshold
---	---

EU REACH Regulation (EC) No. 1907/2006	Current ECHA Candidate List: JUNE 2022 (224) Candidate List Declared Against: JAN 2022 (223) SVHC > Threshold: Not Yet Reviewed
--	--

Halogen Content	Low Halogen - Br, Cl, F, I < 900 ppm per homogenous material. Also BFR/CFR/PVC Free
-----------------	---

Solder Process Capability	Not applicable for solder process capability
---------------------------	--

Product Compliance Disclaimer

This information is provided based on reasonable inquiry of our suppliers and represents our current actual knowledge based on the information they provided. This information is subject to change. The part numbers that TE has identified as EU RoHS compliant have a maximum concentration of 0.1% by weight in homogenous materials for lead, hexavalent chromium, mercury, PBB, PBDE, DBP, BBP, DEHP, DIBP, and 0.01% for cadmium, or qualify for an exemption to these limits as defined in the Annexes of Directive 2011/65/EU (RoHS2). Finished electrical and electronic equipment products will be CE marked as required by Directive 2011/65/EU. Components may not be CE marked. Additionally, the part

numbers that TE has identified as EU ELV compliant have a maximum concentration of 0.1% by weight in homogenous materials for lead, hexavalent chromium, and mercury, and 0.01% for cadmium, or qualify for an exemption to these limits as defined in the Annexes of Directive 2000/53/EC (ELV). Regarding the REACH Regulation, the information TE provides on SVHC in articles for this part number is based on the latest European Chemicals Agency (ECHA) 'Guidance on requirements for substances in articles' posted at this URL: <https://echa.europa.eu/guidance-documents/guidance-on-reach>

Compatible Parts



TE Part # 626580-1
PL 250 REC 1.0-2.5 MM2 0.35X 26.54 BR



TE Part # 1380089-1
PL MKIII L.I.F 250 REC>1.0/2.5 MM2 BR



TE Part # 626580-2
PL 250 REC 1.0-2.5MM2 0.35X26.54 TPPHBZ



TE Part # 2-2266511-2
OCEAN_2.0_Applicator-S-110F160OV



TE Part # 2-2836399-1
OCEAN_2.0_Applicator-S-042F070F



TE Part # 2-2836399-2
OCEAN_2.0_Applicator-S-042F070F



TE Part # 2266511-2
OCEAN_2.0_Applicator-S-110F160OV



TE Part # 2836399-1
OCEAN_2.0_Applicator-S-042F070F



TE Part # 2836399-2
OCEAN_2.0_Applicator-S-042F070F

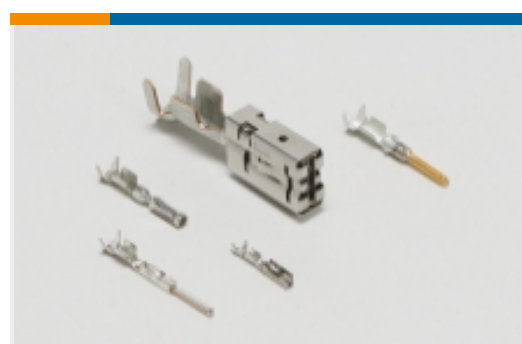


TE Part # 626581-2
POSITIVE LOCK REC. MKII 250 S.



TE Part # 7-2266511-7
OCEAN_2.0_SPARE_PART_KIT-110F160OV

Also in the Series | Positive Lock 250



Automotive Terminals(1)



Crimp Terminal Housings(203)



Insertion & Extraction Tools(3)

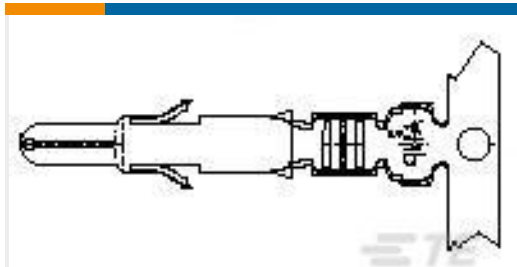
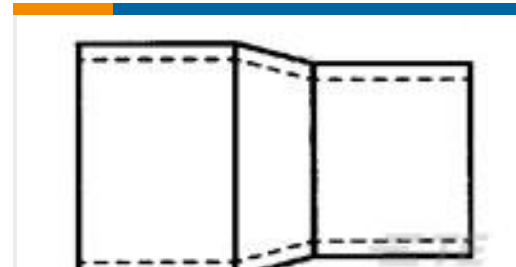
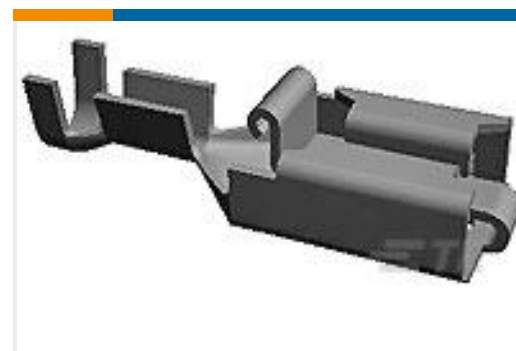


Insulation Boots & Sleeves(4)



Quick Disconnects(189)

Customers Also Bought

TE Part #881109-1
U-M-N-L SPLIT PINTE Part #881111-1
U-M-N-L SOCKETTE Part #520437-1
8 SDL FERRULE,BULK PKGTE Part #880651-2
RING TONGUE 1.0-2.5 MM2 0.60X14.60 TPBRTE Part #880636-1
FF 250 TAB 1.0-2.5 MM2 0.39 X 13.2 BRTE Part #880688-1
FF 250 TERMINAL 0.5-1.0MM2 0.39 X13.2 BRTE Part #880646-1
PL REC 0.5-1.0MM2 0.40 X 52.32 BRTE Part #735212-1
FF 250 REC 22-17AWG BR

Documents

Product Drawings

[PL REC 1.0-2.5 MM2 0.40 X 52.32 BR](#)

English

CAD Files

[3D PDF](#)

3D

Customer View Model

[ENG_CVM_CVM_880645-1_D.2d_dxf.zip](#)

English

Customer View Model

[ENG_CVM_CVM_880645-1_D.3d_igs.zip](#)

English

Customer View Model

[ENG_CVM_CVM_880645-1_D.3d_stp.zip](#)

English

By downloading the CAD file I accept and agree to the [Terms and Conditions](#) of use.



Product Specifications

English

Product Environmental Compliance

[MD_880645-1_09152017059_dmtec](#)

English

[MD_880645-1_09152017059_dmtec](#)

English