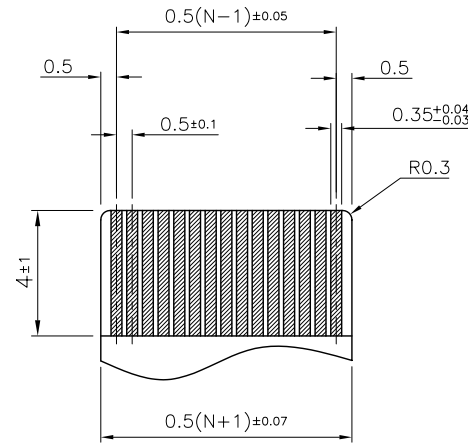
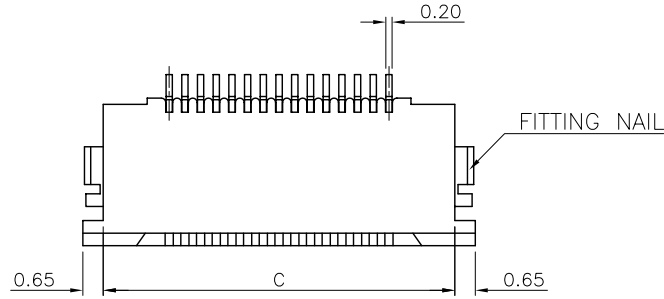
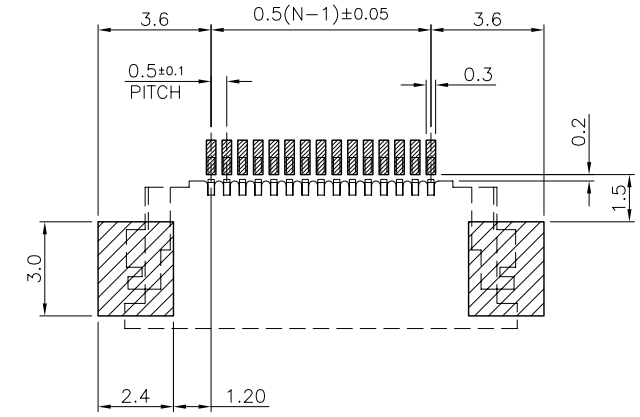


NOTES:

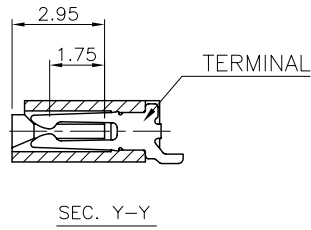
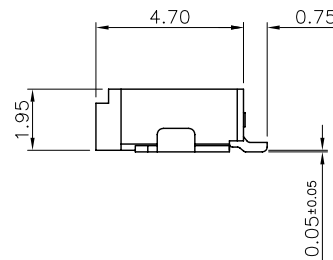
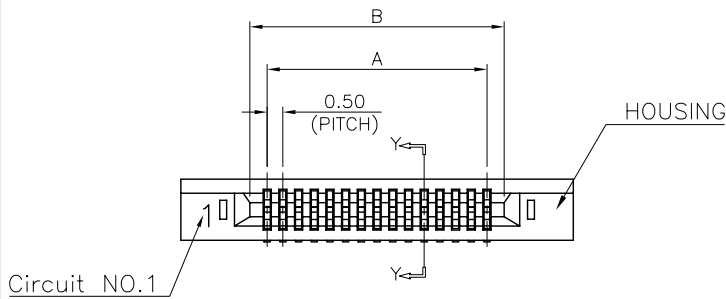
- MATERIAL:
HOUSING: NYLON UL94V-0
TERMINAL: COPPER ALLOY
FITTING NAIL: COPPER ALLOY
- PLATING:
PLS. SEE ACES PLATING CODE (P/N LEGEND)
- COPLANARITY 0.1mm MAX.
- TRUE POSITION 0.1mm MAX.



RECOMMENDED APPLICABLE FPC LAYOUT
(THICKNESS: 0.3±0.03)



PCB PATTERN LAYOUT



P/N LEGEND

88061-XX XX X

- PLATING
□: Tin PLATED
1: G/F over all (lead free)
N: MATT TIN (lead free)
- Packing
00: Tape & Reel
10: Tube Package
- No Of Contact

CKT	Dim A	Dim B	Dim C	CKT	Dim A	Dim B	Dim C
5	2.0	3.1	6.2	36	17.5	18.6	21.7
6	2.5	3.6	6.7	37	18.0	19.1	22.2
7	3.0	4.1	7.2	38	18.5	19.6	22.7
8	3.5	4.6	7.7	39	19.0	20.1	23.2
9	4.0	5.1	8.2	40	19.5	20.6	23.7
10	4.5	5.6	8.7	41	20.0	21.1	24.2
11	5.0	6.1	9.2	42	20.5	21.6	24.7
12	5.5	6.6	9.7	43	21.0	22.1	25.2
13	6.0	7.1	10.2	44	21.5	22.6	25.7
14	6.5	7.6	10.7	45	22.0	23.1	26.2
15	7.0	8.1	11.2	46	22.5	23.6	26.7
16	7.5	8.6	11.7	47	23.0	24.1	27.2
17	8.0	9.1	12.2	48	23.5	24.6	27.7
18	8.5	9.6	12.7	49	24.0	25.1	28.2
19	9.0	10.1	13.2	50	24.5	25.6	28.7
20	9.5	10.6	13.7	51	25.0	26.1	29.2
21	10.0	11.1	14.2	52	25.5	26.6	29.7
22	10.5	11.6	14.7	53	26.0	27.1	30.2
23	11.0	12.1	15.2	54	26.5	27.6	30.7
24	11.5	12.6	15.7	55	27.0	28.1	31.2
25	12.0	13.1	16.2	56	27.5	28.6	31.7
26	12.5	13.6	16.7	57	28.0	29.1	32.2
27	13.0	14.1	17.2	58	28.5	29.6	32.7
28	13.5	14.6	17.7	59	29.0	30.1	33.2
29	14.0	15.1	18.2	60	29.5	30.6	33.7
30	14.5	15.6	18.7	61	30.0	31.1	34.2
31	15.0	16.1	19.2	62	30.5	31.6	34.7
32	15.5	16.6	19.7	63	31.0	32.1	35.2
33	16.0	17.1	20.2	64	31.5	32.6	35.7
34	16.5	17.6	20.7	65	32.0	33.1	36.2
35	17.0	18.1	21.2				

一般公差 TOLERANCES X ±0.5 XX ±0.15 X ±0.25 XXX ±0.1 ANGLES ±2°		宏致電子股份有限公司 Aces Electronic Co., Ltd.	
檢驗尺寸標示 SYMBOLS INDICATE CLASSIFICATION DIMENSION MARK IS CRITICAL DIM. MARK IS MAJOR DIM.		品名 (TITLE) 0.5mm NON ZIF FPC CONN. SMT R/A TYPE 圖號 (DWG.NO) 88061-XXXXX	
表面處理 (FINISH)		製圖 (DR) '01/9/12 蔡文華 審核 (CHKD) Robin 核准 (APPD) Jason	
比例 (SCALE) 單位 (UNITS) mm		張數 (SHEET) 1 OF 1 尺寸 (SIZE) A4	

0	將數字版改為英文版 (ECN-0604024)	'06/05/11	劉丹
REV	修改摘要 REVISION DESCRIPTION	日期 DATE	簽名 SIGNATURE