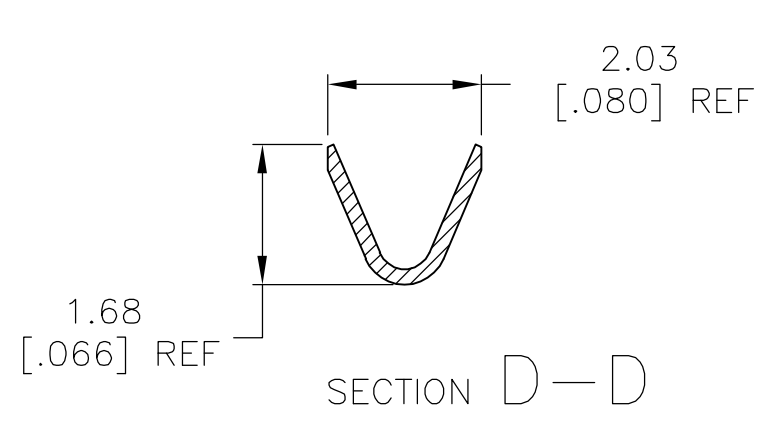
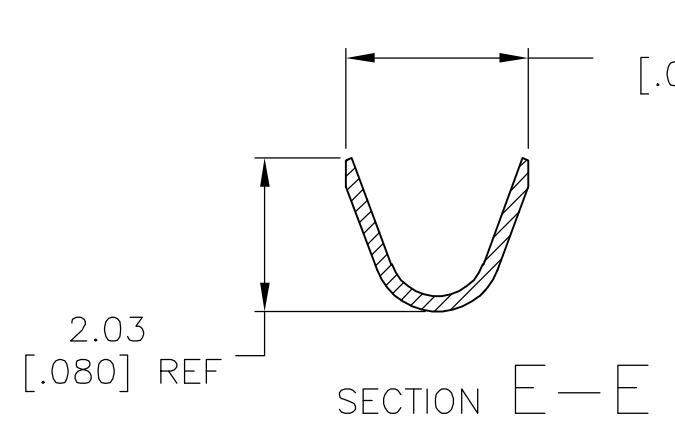
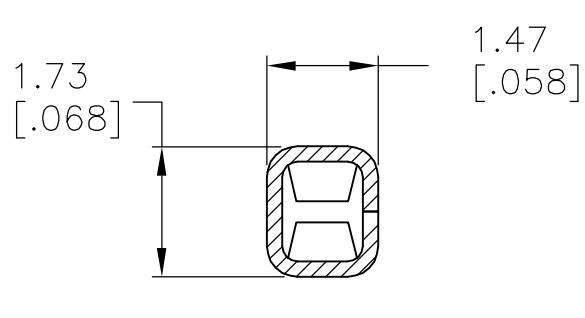
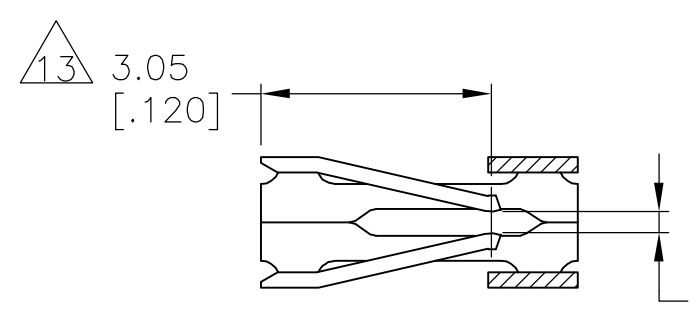
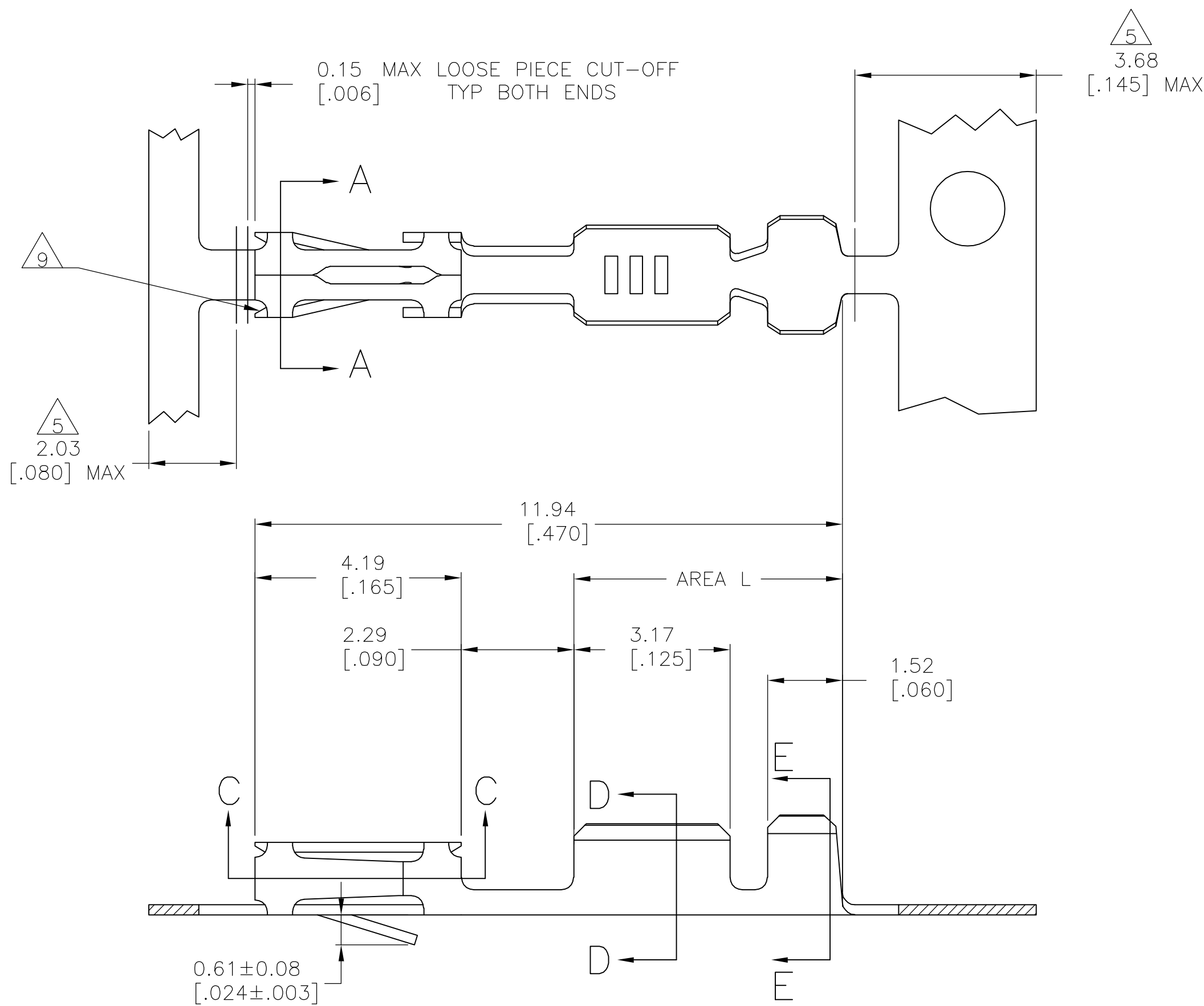


THIS DRAWING IS UNPUBLISHED. RELEASED FOR PUBLICATION
 © COPYRIGHT BY TYCO ELECTRONICS CORPORATION. ALL RIGHTS RESERVED.

LOC	DIST	REVISIONS			
P	LTR	DESCRIPTION	DATE	DWN	APVD
AD	00	U	ECO-05-007262	12JAN06	BSV MM



WIRE SIZE #20-#24

- 1 GOLD FLASH OVER 0.00127[.000050] NICKEL,.000762[.000030] GOLD ON CONTACT AREA.
- 2 GOLD FLASH OVER 0.00127[.000050] NICKEL,.000381[.000015] GOLD ON CONTACT AREA.
- 3 PREPLATED .00127-.00381 (.000050-.000150) BRIGHT TIN.
- 4 REELED FOR MINI APPLICATOR.
- 5 GOLD PLATING NOT REQUIRED - THIS AREA.
- 6 REELED FOR STANDARD APPLICATOR
- 7 0.000127[.000050] NICKEL OVER ENTIRE CONTACT, 0.000381[.000015] GOLD IN CONTACT AREA.
- 8 SHEARED EDGES ARE PERMITTED TO BE UNPLATED.
- 9 CUT OUTS ON BOX AT MANUFACTURER'S OPTION.
- 10 0.000381[.000015] GOLD IN CONTACT AREA. 0.00254-0.00508[.000100-.000200] BRIGHT TIN-LEAD IN AREA L, ALL OVER 0.000127[.000050] NICKEL.
- 11 0.000762[.000030] GOLD IN CONTACT AREA. 0.00254-0.00508[.000100-.000200] BRIGHT TIN-LEAD IN AREA L, ALL OVER 0.000127[.000050] NICKEL.
- 12 OBSOLETE PART NUMBER.
- 13 POINT OF MEASUREMENT FOR PLATING THICKNESS(INSIDE BEAMS).
- 14 0.000127[.000050] NICKEL OVER ENTIRE CONTACT, 0.000762[.000030] GOLD IN CONTACT AREA.
- 15 .000015 GOLD IN CONTACT AREA. .000100-.000200 BRIGHT TIN IN AREA L, ALL OVER .000050 NICKEL.
- 16 0.000762[.000030] GOLD IN CONTACT AREA. 0.00254-0.00508[.000100-.000200] MATTE TIN IN AREA L, ALL OVER 0.000127[.000050] NICKEL.

DESCRIPTION	FINISH	PART NUMBER
LOOSE PIECE	8/16	6-87523-9
REELED 4	8/16	6-87523-8
LOOSE PIECE	5/15	2-87523-4
REELED 4	8/15	2-87523-3
REELED 6	8/7	2-87523-2
REELED 6	8/4	2-87523-1
LOOSE PIECE	8/11	1-87523-9
REELED 4	8/11	1-87523-8
LOOSE PIECE	8/10	1-87523-6
REELED 4	8/10	1-87523-5
OBSOLETE LOOSE PIECE	7/8	1-87523-4
OBSOLETE REELED 4	7/8	1-87523-3
OBSOLETE REELED 6	3	1-87523-0
OBSOLETE REELED 6	2/5	87523-9
OBSOLETE REELED 6	1/5	87523-8
LOOSE PIECE	2/5	87523-7
LOOSE PIECE	3	87523-6
REELED 4	3	87523-5
REELED 4	2/5	87523-4
LOOSE PIECE	1/5	87523-3
REELED 4	1/5	87523-2

THIS DRAWING IS A CONTROLLED DOCUMENT.		DWN E.BRANDBERG 5-5-94	Tyco Electronics Corporation Harrisburg, Pa 17105-3608
DIMENSIONS: mm [INCHES]		CHK B. STAUCH 5-5-94	
TOLERANCES UNLESS OTHERWISE SPECIFIED:		APVD B.STAUCH 5-5-94	NAME CONTACT, MOD IV CRIMP SNAP-IN RECEPTACLE
0 PLC ± -		PRODUCT SPEC -	
1 PLC ± -		APPLICATION SPEC -	SIZE A2 CAGE CODE 00779 DRAWING NO C=87523 RESTRICTED TO -
2 PLC ± 0.13[.005]		WEIGHT -	
3 PLC ± -		CUSTOMER DRAWING	SCALE 10:1 SHEET 1 OF 1 REV U
4 PLC ± -			
ANGLES ± -			
FINISH SEE TABLE			
MATERIAL CU-SN-P, ALY 521			