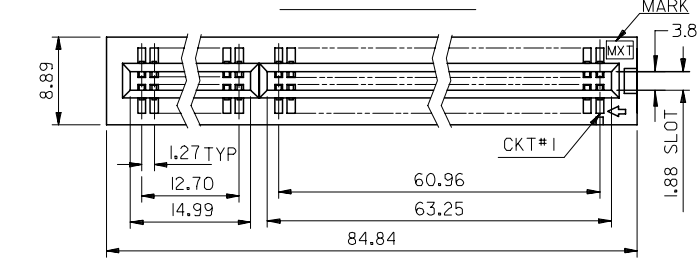
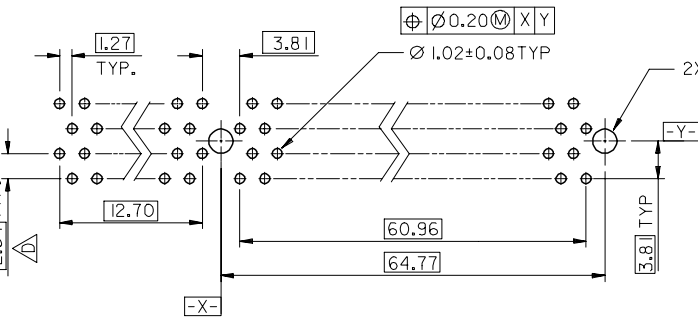
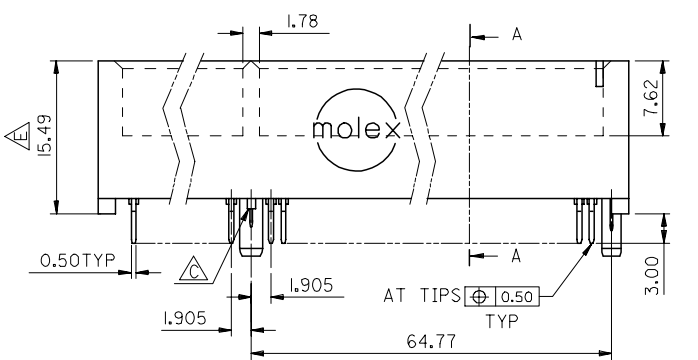


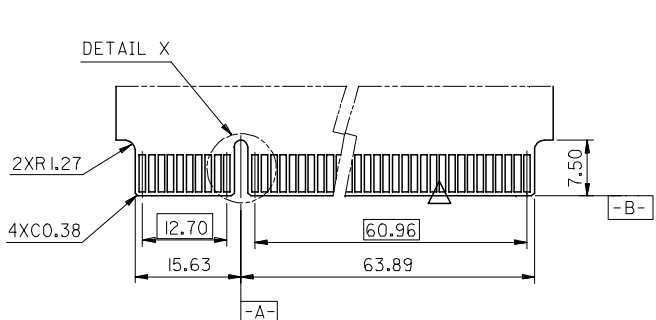
WITH TWO END CUTS



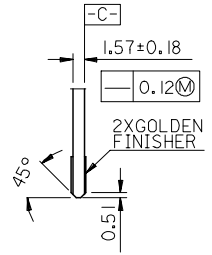
WITH ONE END CUT



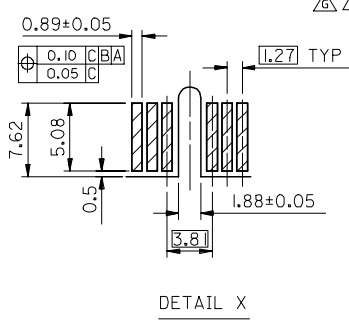
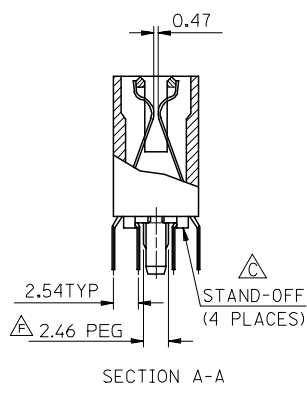
RECOMMENDED CONNECTOR MOUNTING HOLE PATTERN



RECOMMENDED MATING P.C.BOARD EDGE CONFIGURATION



- NOTES :
- MATERIAL :
 - HOUSING : PPS
 - TERMINAL : PHOSPHOR BRONZE.
 - FINISH 0 : GOLD FLASH IN CONTACT AREA.
 - 152 MICROMETER / 60 MICRONCH MN. MAT TN IN SOLDER TAL.
 - BOTH OVER 0.76 MICROMETER / 30 MICRONCH MN. NICKEL OVERALL.
 - 1 : 0.25 MICROMETER / 10 MICRONCH GOLD IN CONTACT AREA.
 - 152 MICROMETER / 60 MICRONCH MN. MAT TN IN SOLDER TAL.
 - BOTH OVER 0.76 MICROMETER / 30 MICRONCH MN. NICKEL OVERALL.
 - 2 : 0.38 MICROMETER / 15 MICRONCH GOLD IN CONTACT AREA.
 - 152 MICROMETER / 60 MICRONCH MN. MAT TN IN SOLDER TAL.
 - BOTH OVER 0.76 MICROMETER / 30 MICRONCH MN. NICKEL OVERALL.
 - 3 : 0.76 MICROMETER / 30 MICRONCH GOLD IN CONTACT AREA.
 - 152 MICROMETER / 60 MICRONCH MN. MAT TN IN SOLDER TAL.
 - BOTH OVER 0.76 MICROMETER / 30 MICRONCH MN. NICKEL OVERALL.
 - 4 : 0.50 MICROMETER / 20 MICRONCH GOLD IN CONTACT AREA.
 - 152 MICROMETER / 60 MICRONCH MN. MAT TN IN SOLDER TAL.
 - BOTH OVER 0.76 MICROMETER / 30 MICRONCH MN. NICKEL OVERALL.



- PART NO. LEGEND : 89177 - 6 0 **
- | PEG VERSION & COLOR | PLATING VERSION |
|---|-----------------|
| 0 : STANDARD ; BROWN ,WITH ONE END CUT | 0 |
| 1 : STANDARD ; WHITE ,WITH ONE END CUT | 1 |
| 2 : STANDARD ; BROWN ,WITH TWO END CUTS | 2 |
| 3 : STANDARD ; WHITE ,WITH TWO END CUTS | 3 |
| | 4 |

EWR 2006-0035 EC NO: SH2006-0520 DRWN:ALLIN 2006/06/26 CHKD: 2006/06/27 APPR:WMSCHANG 2006/06/30	QUALITY SYMBOLS ▽=0 ◁=0	GENERAL TOLERANCES (UNLESS SPECIFIED)	DIMENSION STYLE MM ONLY	SCALE	DESIGN UNITS METRIC	THIRD ANGLE PROJECTION
		4 PLACES ± --- ± --- 3 PLACES ± --- ± --- 2 PLACES ± 0.25 ± --- 1 PLACE ± 0.25 ± --- ANGULAR ± 3 °	DRAWN BY DATE TED CHEN 1996/09/17 CHECKED BY DATE WILSON CHANG 1996/09/17 APPROVED BY DATE MEGA LIN 1996/09/17	TITLE 1.27 EDGE CARD CONN. (120CKT)	MOLEX INCORPORATED	
DRAFT WHERE APPLICABLE MUST REMAIN WITHIN DIMENSIONS		SEE NOTES	MATERIAL NO.	DOCUMENT NO. SDA-89177-60**		