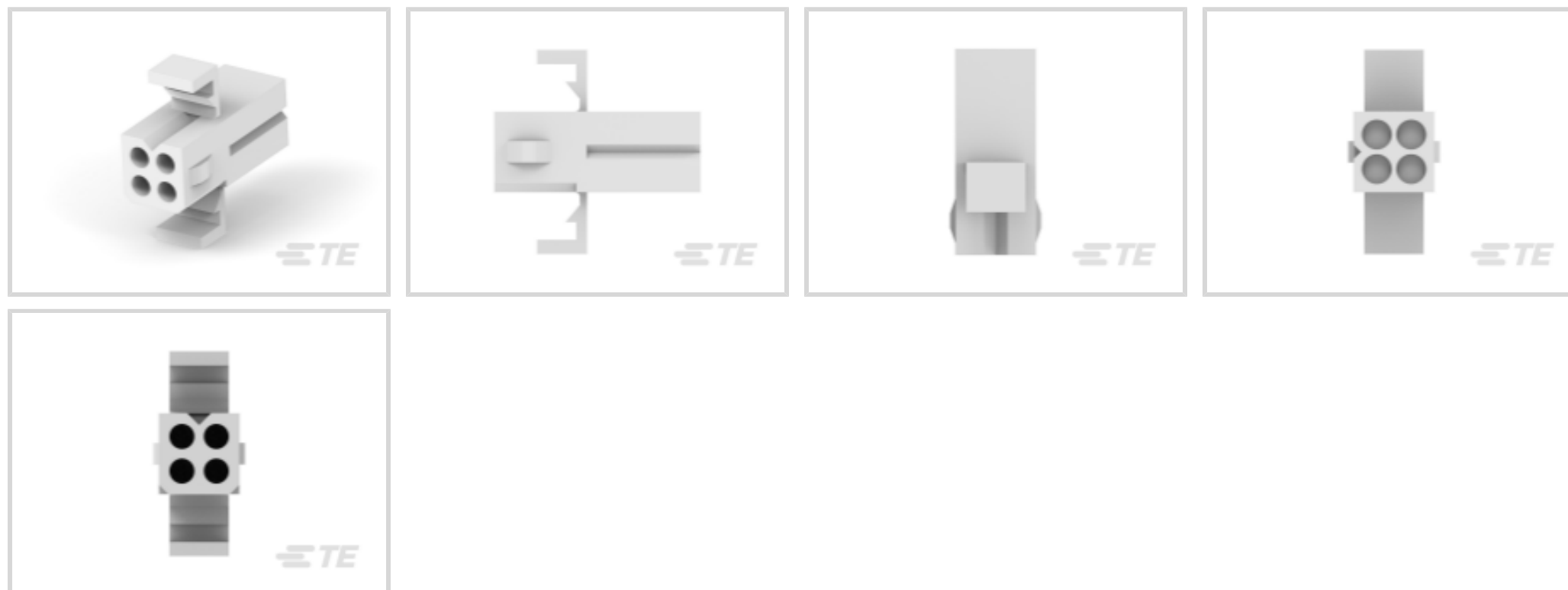




Connectors &gt; Rectangular Connectors &gt; Rectangular Connector Housings

Connector System: **Wire-to-Wire**

Number of Positions: 4

Centerline (Pitch): 3.68 mm [.145 in ]

Row-to-Row Spacing: 3.68 mm [.145 in ]

Number of Rows: 2

## Features

### Product Type Features

Series Number	3000
Insertion Force Type	Low Insertion Force (LIF)
Connector System	Wire-to-Wire
Connector & Housing Type	Receptacle
Sealable	No
Connector & Contact Terminates To	Wire & Cable
Connector Type	Housing
Product Type	Connector
Wire/Cable Type	Discrete Wire

### Configuration Features

Number of Positions	4
Number of Rows	2

### Electrical Characteristics

UL Voltage Rating	250 VDC
-------------------	---------



Operating Voltage	250 VDC
-------------------	---------

### Contact Features

Contact Type	Pin, Socket
Contact Transmits (Typical)	Power, Signal (Data)

### Mechanical Attachment

Panel Mount Feature	With
Panel Mount Feature Type	Mounting Ears
Connector Mounting Type	Cable Mount (Free-Hanging), Panel Mount

### Housing Features

Centerline (Pitch)	3.68 mm [.145 in]
Housing Material	Nylon
Housing Color	Natural

### Dimensions

Wire Size	.2 – .9 mm <sup>2</sup>
Row-to-Row Spacing	3.68 mm [.145 in]
Accepts Wire Insulation Diameter Range	1.27 – 2.79 mm [.05 – .11 in]
Height	8.76 mm [.345 in]
Length	22 mm [.86 in]
Width	8.76 mm [.345 in]

### Usage Conditions

Operating Temperature Range	-55 – 105 °C [-67 – 221 °F]
-----------------------------	-----------------------------

### Operation/Application

Circuit Application	Power
---------------------	-------

### Industry Standards

Agency/Standard	CSA, UL
CSA File Number	LR7189
VDE Tested	No
UL File Number	E28476
UL Flammability Rating	UL 94V-2
UL Rating	Recognized

### Packaging Features

Packaging Quantity	1
--------------------	---

Packaging Method

Box

## Product Compliance

[For compliance documentation, visit the product page on TE.com>](#)

EU RoHS Directive 2011/65/EU

Compliant

EU ELV Directive 2000/53/EC

Compliant

China RoHS 2 Directive MIIT Order No 32, 2016

No Restricted Materials Above Threshold

EU REACH Regulation (EC) No. 1907/2006

Current ECHA Candidate List: JUNE 2022 (224)  
Candidate List Declared Against: JAN 2022 (223)  
SVHC > Threshold:  
Not Yet Reviewed

Halogen Content

BFR/CFR/PVC Free, but Br/Cl &gt;900 ppm in other sources.

Solder Process Capability

Not applicable for solder process capability

### Product Compliance Disclaimer

This information is provided based on reasonable inquiry of our suppliers and represents our current actual knowledge based on the information they provided. This information is subject to change. The part numbers that TE has identified as EU RoHS compliant have a maximum concentration of 0.1% by weight in homogenous materials for lead, hexavalent chromium, mercury, PBB, PBDE, DBP, BBP, DEHP, DIBP, and 0.01% for cadmium, or qualify for an exemption to these limits as defined in the Annexes of Directive 2011/65/EU (RoHS2). Finished electrical and electronic equipment products will be CE marked as required by Directive 2011/65/EU. Components may not be CE marked. Additionally, the part numbers that TE has identified as EU ELV compliant have a maximum concentration of 0.1% by weight in homogenous materials for lead, hexavalent chromium, and mercury, and 0.01% for cadmium, or qualify for an exemption to these limits as defined in the Annexes of Directive 2000/53/EC (ELV). Regarding the REACH Regulation, the information TE provides on SVHC in articles for this part number is based on the latest European Chemicals Agency (ECHA) 'Guidance on requirements for substances in articles' posted at this URL: <https://echa.europa.eu/guidance-documents/guidance-on-reach>

## Compatible Parts






TE Part # 770432-1  
04P .062 COMM P&S RECPT



TE Part # 640392-1  
.062 COMM P&S SOK 24-30 PTPBR



TE Part # 350629-8  
.062 COMM P&S PIN PRE TIN/PHBZ



TE Part # 770433-1  
04P .062 COMM P&S PLUG



TE Part # 770443-1  
04P .062 COMM P&S PLUG



TE Part # 794018-1  
.062 CP&S PIN PTPBR L/P 30-24



TE Part # 794019-1  
.062 CP&S SOK PTPBR L/P 30-24



TE Part # 770538-1  
04P .062 COMM P&S PLUG



TE Part # 794017-1  
.062 CP&S PIN PTPBR L/P 24-18



TE Part # 350628-2  
.062 COMM P&S SOK PTPPHBZ



TE Part # 350628-1  
.062 COMM P&S SOK 18-24 PTPBR



TE Part # 770983-1  
.062 COMM P&S PIN 18-24 PTPBR



TE Part # 350628-6  
.062 COMM P&S SOK AUNI/PHBZ



TE Part # 794046-1  
.062 COMM P&S SOK 24-30 PTPBR

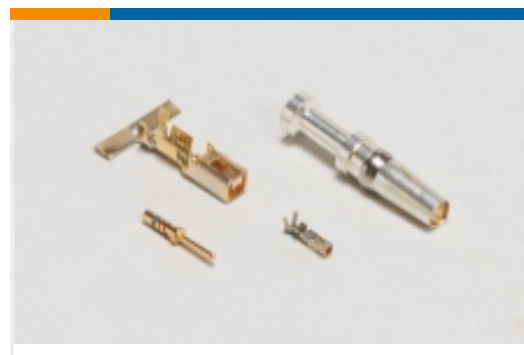


TE Part # 640392-2  
.062 COMM P&S SOK 24-30 PTPPHBZ



TE Part # 794016-1  
.062 CP&S SOK PTPBR L/P 24-18


## Also in the Series | Commercial Pin and Socket Connectors



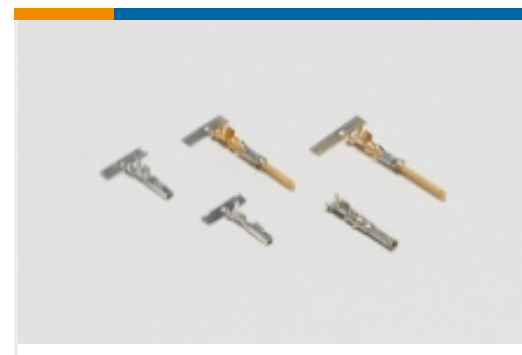
Connector Contacts(3)



Crimp Wire Pins, Tabs & Ferrules(1)



Insertion & Extraction Tools(3)



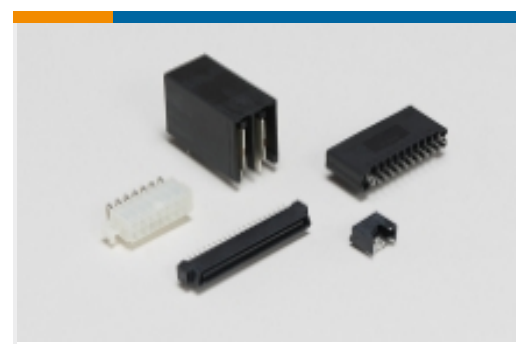
Power Contacts(40)



Rectangular Connector Housings(11)

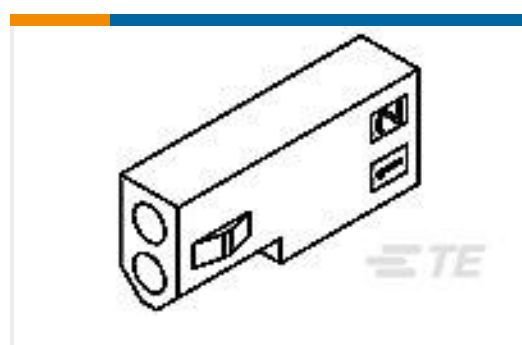
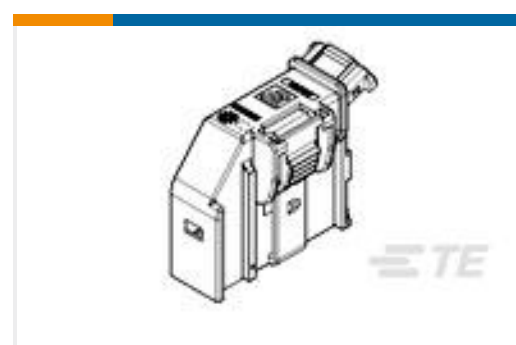
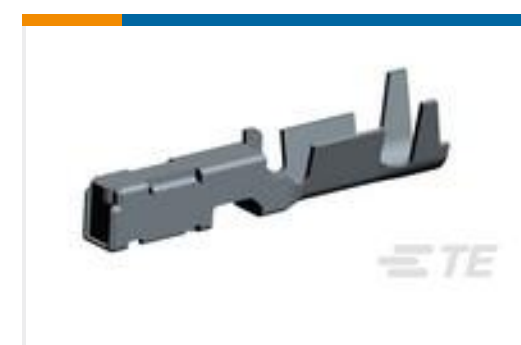


Rectangular Power Connectors(88)



Standard Rectangular Connectors(4)

## Customers Also Bought

TE Part #2-1462039-9  
IM23GR=IM RELAY 50MW 5VTE Part #103653-3  
04 MTE SHRD PIN HSG SR LATCHTE Part #1825910-7  
FSM4JAH=6MM TACT SWITCH, HIGH TEMPTE Part #770903-1  
MINI UMNL PIN 22-18 AWG SNTE Part #770442-1  
04P .062 COMM P&S RECPTTE Part #1924968-3  
Contact, male 0.64, 20 to 22 AWGTE Part #1924141-1  
Shield, 26P GenY, Hand Mate ConnTE Part #1924955-3  
CONTACT,FEMALE0.64,20-22AWG, UNSEALTE Part #A77997-000  
WP-508318-2.5-9TE Part #Y460846-1000000000  
RSC PLUG TO FC/PC CABLE ASSEMBLY

## Documents

### Product Drawings

[04P .062 COMM P&S RECPT](#)

English

### CAD Files

Customer View Model

[ENG\\_CVM\\_770441-1\\_C1.3d\\_igs.zip](#)

English

Customer View Model



[ENG\\_CVM\\_770441-1\\_C1.3d\\_stp.zip](#)

English

**Customer View Model**

[ENG\\_CVM\\_770441-1\\_C1.2d\\_dxf.zip](#)

English

**3D PDF**

English

**3D PDF**

3D

**Customer View Model**

[ENG\\_CVM\\_CVM\\_770441-1\\_G.2d\\_dxf.zip](#)

English

**Customer View Model**

[ENG\\_CVM\\_CVM\\_770441-1\\_G.3d\\_igs.zip](#)

English

**Customer View Model**

[ENG\\_CVM\\_CVM\\_770441-1\\_G.3d\\_stp.zip](#)

English

By downloading the CAD file I accept and agree to the [Terms and Conditions](#) of use.

---

## Datasheets & Catalog Pages

[SOFT\\_SHELL\\_PIN\\_AND\\_SOCKET\\_CONNECTORS\\_CATALOG](#)

English

---

## Product Specifications

[Application Specification](#)

English

---

## Agency Approvals

[Agency Approval Document](#)

English