



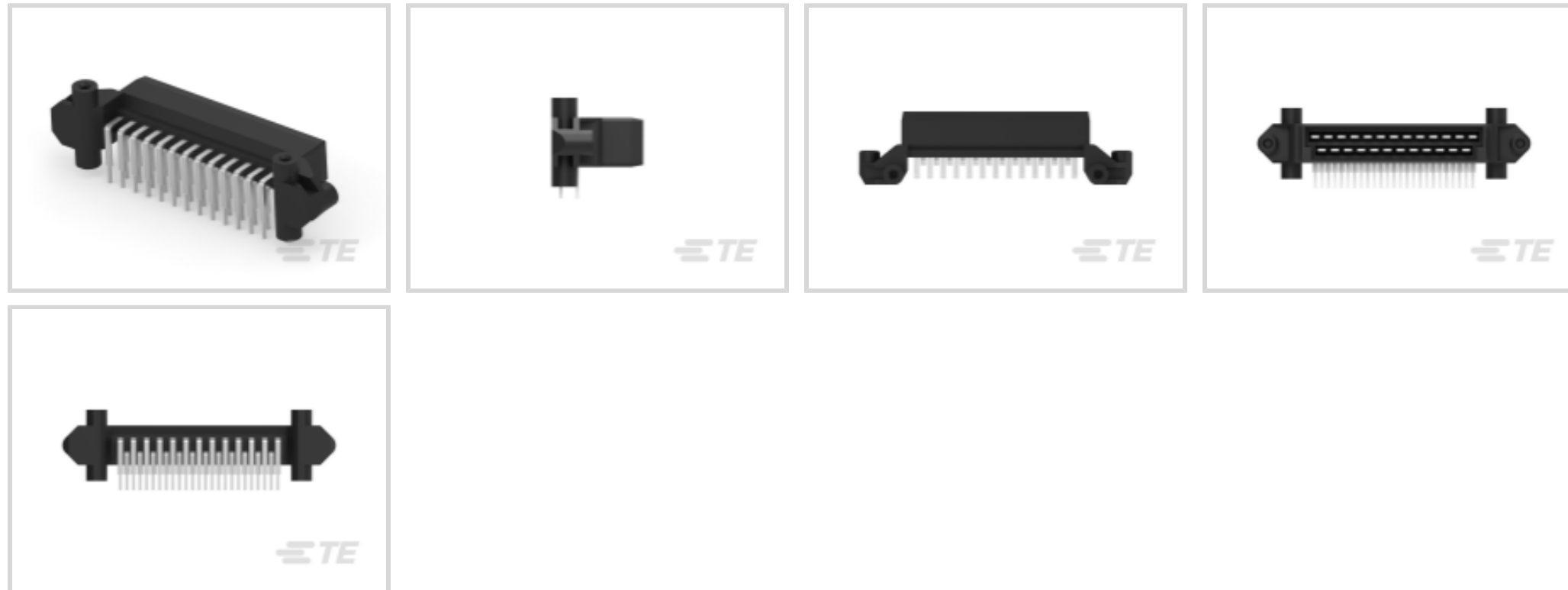
Timer Connector System

TE Internal #: 827050-1

PCB Mount Header, Horizontal, Wire-to-Board, 25 Position, .196 in [5 mm] Centerline, Fully Shrouded, Tin (Sn), Timer Connector System

[View on TE.com >](#)

Connectors > PCB Connectors > PCB Headers & Receptacles > LOW & MEDIUM POWER HEADER



Connector System: **Wire-to-Board**

Number of Positions: **25**

Centerline (Pitch): **5 mm [.196 in]**

Sealable: **No**

PCB Mount Orientation: **Horizontal**

[All LOW & MEDIUM POWER HEADER \(153\)](#)

Features

Product Type Features

| | |
|-----------------------------|------------------|
| Hybrid Header | No |
| Connector & Housing Shape | Rectangular |
| PCB Connector Assembly Type | PCB Mount Header |
| Header Type | Fully Shrouded |
| Connector System | Wire-to-Board |
| Sealable | No |

Configuration Features

| | |
|----------------------------|------------|
| Number of Sections | 1 |
| Number of Signal Positions | 25 |
| Number of Positions | 25 |
| PCB Mount Orientation | Horizontal |
| Number of Rows | 2 |



Body Features

| | |
|-----------------------|-------|
| Primary Product Color | Black |
|-----------------------|-------|

Contact Features

| | |
|--------------------------------------|----------------|
| Contact Size | 3mm |
| Contact Type | Tab |
| Mating Tab Width | 3 mm[.118 in] |
| Mating Tab Thickness | .8 mm[.031 in] |
| Contact Mating Area Plating Material | Tin (Sn) |

Termination Features

| | |
|---|-----------------------|
| Termination Method to Printed Circuit Board | Through Hole - Solder |
|---|-----------------------|

Mechanical Attachment

| | |
|--------------------------|-------------------|
| Mounting Holes | With |
| Mating Retention | With |
| Mating Alignment | With |
| PCB Mount Alignment | With |
| Panel Mount Feature | Without |
| PCB Mount Retention | With |
| PCB Mount Retention Type | Mounting Hole |
| Mating Retention Type | Locking Interface |

Housing Features

| | |
|--------------------|---------------|
| Centerline (Pitch) | 5 mm[.196 in] |
|--------------------|---------------|

Dimensions

| | |
|-------------------------|------------------|
| Connector Length | 71.8 mm[2.82 in] |
| Connector Width | 27.8 mm[1.09 in] |
| Profile Height from PCB | 15 mm[.59 in] |

Operation/Application

| | |
|---------------------|--------|
| Shielded | No |
| Circuit Application | Signal |

Packaging Features

| | |
|--------------------|------|
| Packaging Type | Tray |
| Packaging Quantity | 126 |

Other



| | |
|------------------|--------------------------------|
| Interface Number | 281810, 827249, 963317, 963325 |
|------------------|--------------------------------|

Product Compliance

[For compliance documentation, visit the product page on TE.com>](#)

| | |
|---|--|
| EU RoHS Directive 2011/65/EU | Compliant |
| EU ELV Directive 2000/53/EC | Compliant |
| China RoHS 2 Directive MIIT Order No 32, 2016 | No Restricted Materials Above Threshold |
| EU REACH Regulation (EC) No. 1907/2006 | Current ECHA Candidate List: JUNE 2022 (224) Candidate List Declared Against: JAN 2019 (197) SVHC > Threshold: Not Yet Reviewed |
| Halogen Content | Low Halogen - Br, Cl, F, I < 900 ppm per homogenous material. Also BFR/CFR/PVC Free |
| Solder Process Capability | Not applicable for solder process capability |

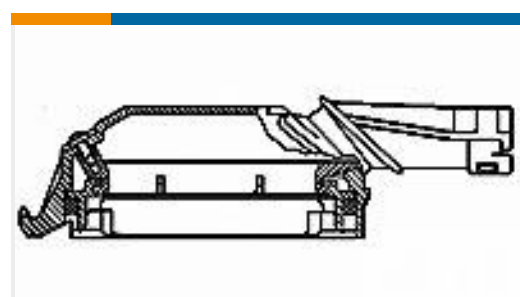
Product Compliance Disclaimer

This information is provided based on reasonable inquiry of our suppliers and represents our current actual knowledge based on the information they provided. This information is subject to change. The part numbers that TE has identified as EU RoHS compliant have a maximum concentration of 0.1% by weight in homogenous materials for lead, hexavalent chromium, mercury, PBB, PBDE, DBP, BBP, DEHP, DIBP, and 0.01% for cadmium, or qualify for an exemption to these limits as defined in the Annexes of Directive 2011/65/EU (RoHS2). Finished electrical and electronic equipment products will be CE marked as required by Directive 2011/65/EU. Components may not be CE marked. Additionally, the part numbers that TE has identified as EU ELV compliant have a maximum concentration of 0.1% by weight in homogenous materials for lead, hexavalent chromium, and mercury, and 0.01% for cadmium, or qualify for an exemption to these limits as defined in the Annexes of Directive 2000/53/EC (ELV). Regarding the REACH Regulation, the information TE provides on SVHC in articles for this part number is based on the latest European Chemicals Agency (ECHA) 'Guidance on requirements for substances in articles' posted at this URL: <https://echa.europa.eu/guidance-documents/guidance-on-reach>

Compatible Parts



TE Part # CAT-T4827-CH8172
TIMER, CONNECTOR HOUSING



TE Part # 827249-1
25 POS. MINI SPRING RECEPT. HSG

Also in the Series | [Timer Connector System](#)



Automotive Connector Caps & Covers (11)



Automotive Connector Locks & Position Assurance(16)



Automotive Housings(219)



Automotive Seals & Cavity Plugs(31)



Automotive Terminals(138)



Crimp Terminal Housings(13)



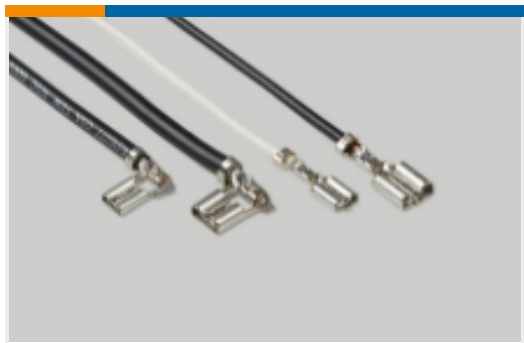
Insertion & Extraction Tools(20)



Other Automotive Connector Accessories(1)



PCB Headers & Receptacles(78)

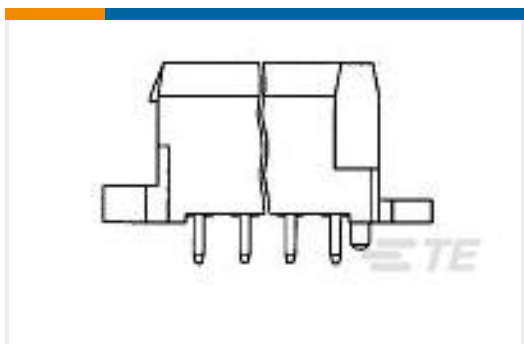


Quick Disconnects(4)

Customers Also Bought



TE Part #1-776276-1
AMPSEAL PCB Headers



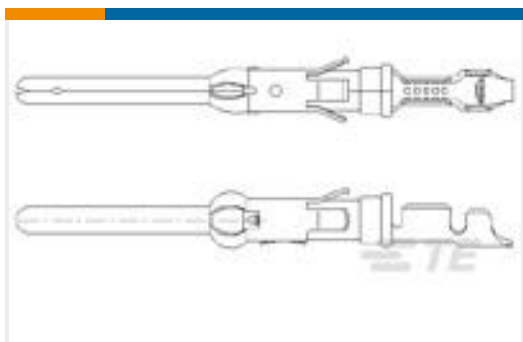
TE Part #963357-5
2X 3P MESSERLEISTE



TE Part #282191-1
SPLASH PROOF CONN. W.S.L.



TE Part #185226-1
26pos MQS .63 header 180deg



TE Part #163081-8
.062 DIA PIN ASSY 3+



TE Part #1622826-2
CRG0402 5% 100K



TE Part #DT04-12PA-CE03
REC, 12P, BLK, E, CAP, A



TE Part #8-968971-2
MCP2.8 GEH ASSY 9P

Documents



Product Drawings

25 POS TAB HSG

English

CAD Files

3D PDF

English

Customer View Model

[ENG_CVM_827050-1_G1.3d_igs.zip](#)

English

Customer View Model

[ENG_CVM_827050-1_G1.3d_stp.zip](#)

English

Customer View Model

[ENG_CVM_827050-1_G1.2d_dxf.zip](#)

English

3D PDF

3D

Customer View Model

[ENG_CVM_CVM_827050-1_G.2d_dxf.zip](#)

English

Customer View Model

[ENG_CVM_CVM_827050-1_G.3d_igs.zip](#)

English

Customer View Model

[ENG_CVM_CVM_827050-1_G.3d_stp.zip](#)

English

By downloading the CAD file I accept and agree to the [Terms and Conditions](#) of use.

Product Specifications

Product Specification

English