

85216-1 ✓ ACTIVE

Multilock Connector System

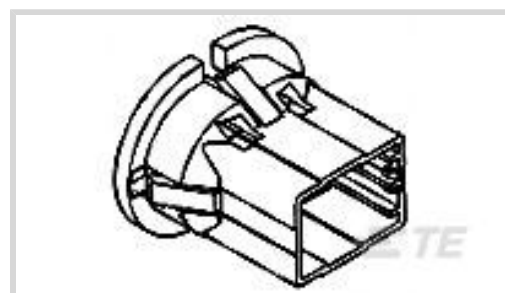
TE Internal #: 85216-1

Housing for Male Terminals, Wire-to-Wire, 11 Position, .137 in [3.5 mm] Centerline, Natural, Wire & Cable, Signal, Multilock Connector System

[View on TE.com >](#)



Connectors > Automotive Connectors > Connector Housings > MULTILOCK, CONNECTOR HOUSING



Connector & Housing Type: **Housing for Male Terminals**

Mating Tab Width: **1.8 mm, 3 mm [.07 in, .118 in]**

Connector System: **Wire-to-Wire**

Number of Positions: **11**

Centerline (Pitch): **3.5 mm [.137 in]**

[All MULTILOCK, CONNECTOR HOUSING \(576\)](#)

Features

Product Type Features

Connector & Housing Shape	Rectangular
Connector & Housing Type	Housing for Male Terminals
Connector System	Wire-to-Wire
Sealable	No
Hybrid Connector	Yes
Primary Locking Feature	Integrated in Housing
Connector & Contact Terminates To	Wire & Cable

Configuration Features

Number of Positions	11
Number of Rows	3

Body Features

Cable Exit Angle	180°
Body Material	PBT
Primary Product Color	Natural
Connector Code	A

Contact Features

Contact Size	1.8mm, 3mm
--------------	------------



Contact Type	Tab
Mating Tab Width	1.8 mm, 3 mm [.07 in][.118 in]

Mechanical Attachment

Mounting Feature	Without
Terminal Position Assurance	No
Strain Relief	Without
Mating Alignment Type	Keyed
Mating Alignment	With
Connector Mounting Type	Cable Mount (Free-Hanging)

Housing Features

Centerline (Pitch)	3.5 mm [.137 in]
--------------------	------------------

Dimensions

Product Width	32.75 mm [1.28 in]
Product Length	30.7 mm [1.2 in]
Product Height	39.7 mm [1.56 in]

Operation/Application

Circuit Application	Signal
---------------------	--------

Packaging Features

Packaging Quantity	100
Packaging Method	Bag

Other

Serviceable	No
Connector Position Assurance Capable	No

Product Compliance

[For compliance documentation, visit the product page on TE.com>](#)

EU RoHS Directive 2011/65/EU	Compliant
EU ELV Directive 2000/53/EC	Compliant
China RoHS 2 Directive MIIT Order No 32, 2016	No Restricted Materials Above Threshold
EU REACH Regulation (EC) No. 1907/2006	Current ECHA Candidate List: JUNE 2022 (224) Candidate List Declared Against: JAN 2022 (223)

SVHC > Threshold:
Not Yet Reviewed

Halogen Content

Low Halogen - Br, Cl, F, I < 900 ppm per homogenous material. Also BFR/CFR/PVC Free

Solder Process Capability

Not applicable for solder process capability

Product Compliance Disclaimer

This information is provided based on reasonable inquiry of our suppliers and represents our current actual knowledge based on the information they provided. This information is subject to change. The part numbers that TE has identified as EU RoHS compliant have a maximum concentration of 0.1% by weight in homogenous materials for lead, hexavalent chromium, mercury, PBB, PBDE, DBP, BBP, DEHP, DIBP, and 0.01% for cadmium, or qualify for an exemption to these limits as defined in the Annexes of Directive 2011/65/EU (RoHS2). Finished electrical and electronic equipment products will be CE marked as required by Directive 2011/65/EU. Components may not be CE marked. Additionally, the part numbers that TE has identified as EU ELV compliant have a maximum concentration of 0.1% by weight in homogenous materials for lead, hexavalent chromium, and mercury, and 0.01% for cadmium, or qualify for an exemption to these limits as defined in the Annexes of Directive 2000/53/EC (ELV). Regarding the REACH Regulation, the information TE provides on SVHC in articles for this part number is based on the latest European Chemicals Agency (ECHA) 'Guidance on requirements for substances in articles' posted at this URL: <https://echa.europa.eu/guidance-documents/guidance-on-reach>

Compatible Parts



TE Part # CAT-M9194-CH8172
MULTILOCK, CONNECTOR HOUSING




TE Part # CAT-M9194-T273
MULTILOCK, RECEPTACLE AND TAB



TE Part # 85034-1
MIC MK-2 TAB CONTACT

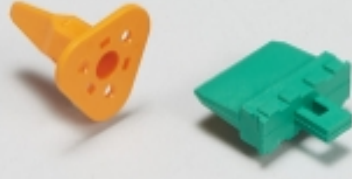
Also in the Series | Multilock Connector System




Automotive Connector Caps & Covers (16)



Automotive Connector EMC Shielding (1)



Automotive Connector Locks & Position Assurance(2)



Automotive Housings(575)



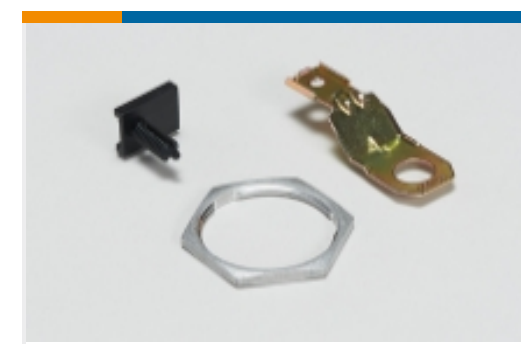
Automotive Seals & Cavity Plugs(2)



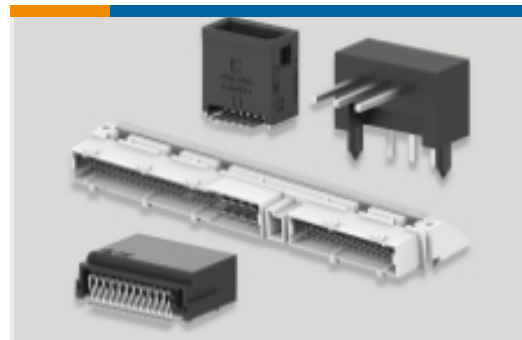
Automotive Terminals(140)



Insertion & Extraction Tools(6)

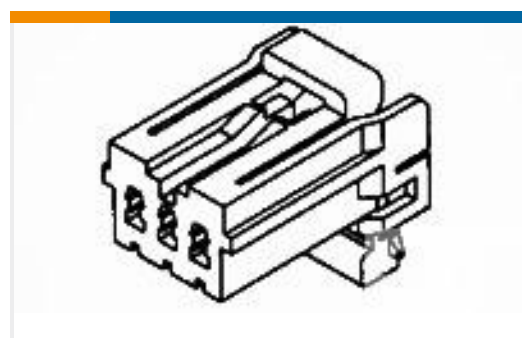
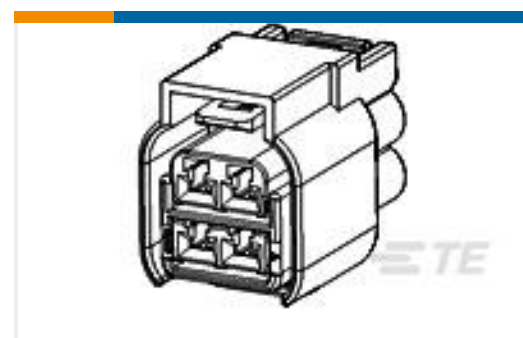
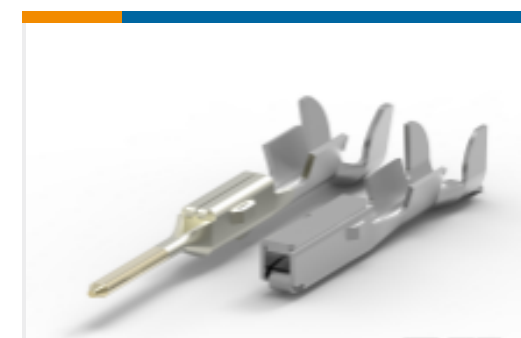
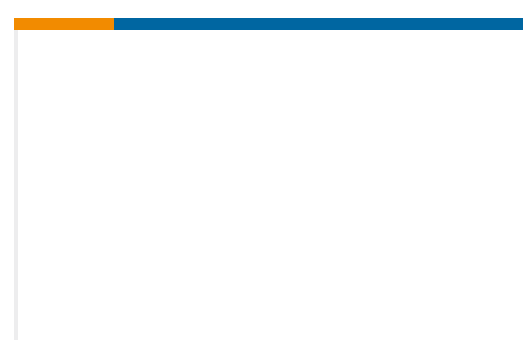


Other Automotive Connector Accessories(9)



PCB Headers & Receptacles(129)

Customers Also Bought

TE Part #368502-1
070 MLC PLUG HSG 6P SGLTE Part #936257-2
MCP-E SLD 6P PLUG ASSY BLKTE Part #964274-3
TIMER, RECEPTACLE AND TABTE Part #173633-1
MULTILOCK, RECEPTACLE AND TABTE Part #2209954-2
AIRBAG 24P COVER ASSYTE Part #2005431-1
025/090 HYB 34P PLUG ASSY

Documents

Product Drawings

[070/110 11P CAP HSG\(D.T.B\)](#)

English

CAD Files

[3D PDF](#)

English

[Customer View Model](#)

[ENG_CVM_85216-1_G.2d_dxf.zip](#)



English

Customer View Model

[ENG_CVM_85216-1_G.3d_igs.zip](#)

English

Customer View Model

[ENG_CVM_85216-1_G.3d_stp.zip](#)

English

By downloading the CAD file I accept and agree to the [Terms and Conditions](#) of use.

Datasheets & Catalog Pages

[MULTILOCK Connector System](#)

English

Product Specifications

[Product Specification](#)

English

Product Environmental Compliance

[Product Compliance](#)

English

[Product Compliance](#)

English