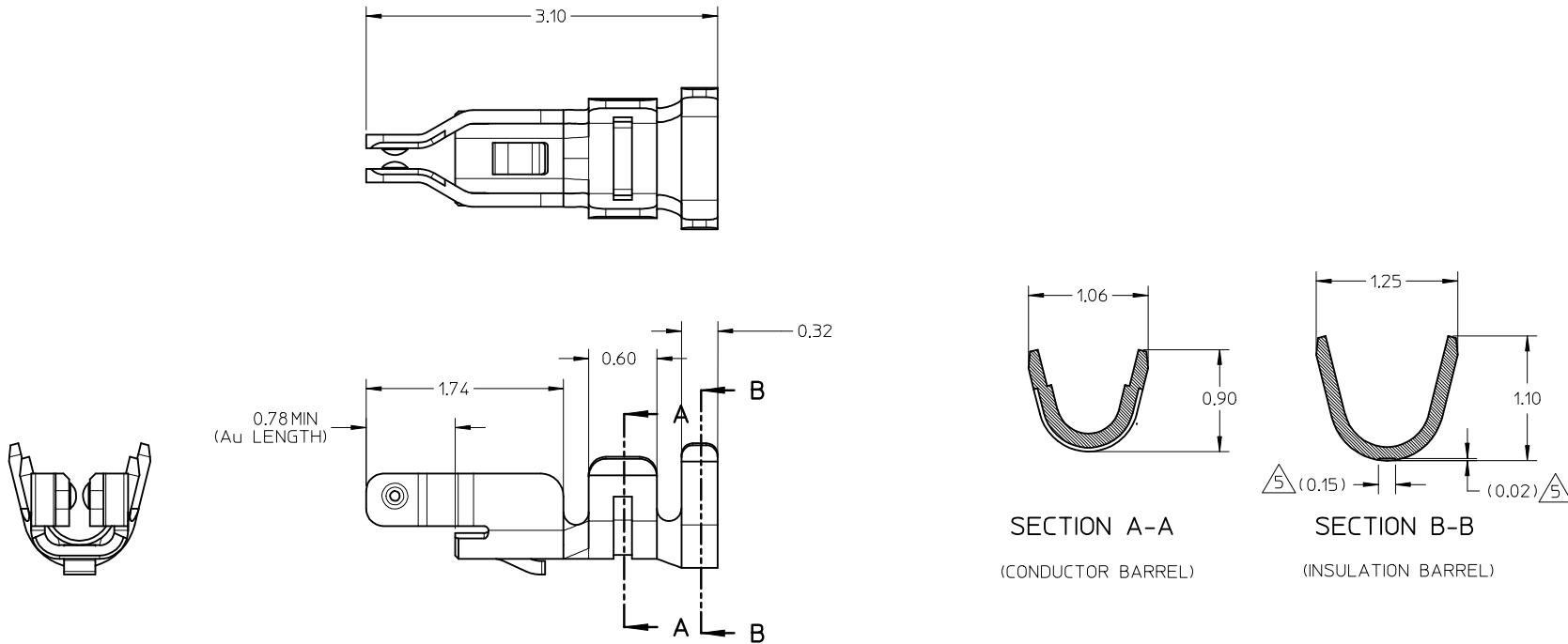


PART NUMBER  
78172-0410  
(REEL FORM)



- NOTES:
1. MATERIAL: COPPER ALLOY
  2. PLATING : GOLD 0,1μm MIN. OVER 1,0μm MIN. NICKEL OVERALL
  3. TERMINAL TO BE USED WITH MOLEX HOUSING PART NO : 78172-00\*\*
  4. TERMINAL TO BE USED WITH WIRE AWG#28, AWG#30
  5. OPTIONAL TOOL MARK FOR TOOL RECOGNITION PURPOSE
  6. REFER TO CRIMPING SPECIFICATION CS-78172-013
  7. APPLICABLE WIRE INSULATION DIAMETER AS REFERENCE

WIRE	INSULATION DIA. (mm)
AWG# 28	0.50~0.70
AWG# 30	

REVISED EC NO: J2016-0282 DRWN:TAKA IKE 2015/09/14 CHKD:KASAKAWA 2015/09/15 APPR:NUKITA 2015/09/15	GENERAL TOLERANCES (UNLESS SPECIFIED)		DIMENSION STYLE MM ONLY		SCALE 20:1	DESIGN UNITS METRIC	THIRD ANGLE PROJECTION	
	0.25 UNDER	±0.03	DRAWN BY	DATE	TITLE			
	0.25 OVER 0.5 UNDER	±0.05	CWLAM	2007/11/05	1.20MM PITCH, W-T-B RECEPTACLE CONNECTOR TERMINAL			
	0.5 OVER 1.0 UNDER	±0.1	CHECKED BY	DATE				
	1.0 OVER 10 UNDER	±0.30	KSSHANTHA	2007/12/07	molex			
10 OVER 30 UNDER	±---	APPROVED BY	DATE					
30 OVER	±---	NAGESGKN	2007/12/07	MATERIAL NO.		DOCUMENT NO.	SHEET NO.	
ANGULAR	±1 °	SEE TABLE		SD-78172-008		1 OF 3		
DRAFT WHERE APPLICABLE MUST REMAIN WITHIN DIMENSIONS			SIZE A3	THIS DRAWING CONTAINS INFORMATION THAT IS PROPRIETARY TO MOLEX INCORPORATED AND SHOULD NOT BE USED WITHOUT WRITTEN PERMISSION				

10 9 8 7 6 5 4 3 2 1

F

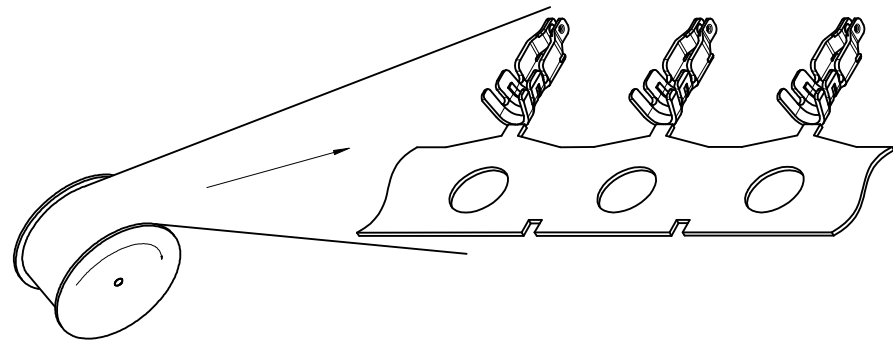
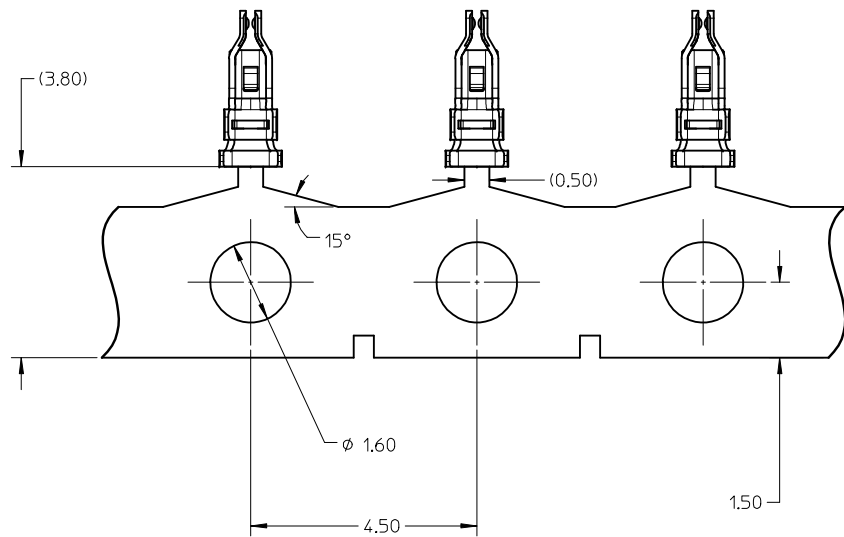
E

D

C

B

A



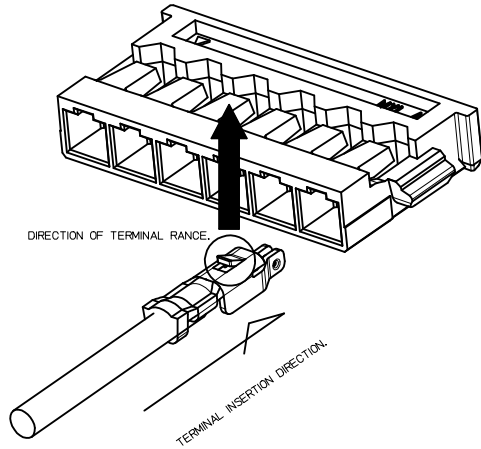
CUSTOMER PULL OUT DIRECTION

REVISED EC NO: J2016-0282 DRWN:TAKA IKE 2015/09/14 CHKD:KASAKAWA 2015/09/15 APPR:NUKITA 2015/09/15	GENERAL TOLERANCES (UNLESS SPECIFIED)		DIMENSION STYLE MM ONLY		SCALE 1:1	DESIGN UNITS METRIC	THIRD ANGLE PROJECTION	
	0.25 UNDER	± 0.03	DRAWN BY	DATE	TITLE			
	0.25 OVER 0.5 UNDER	± 0.05	CWLAM	2007/11/05	1.20MM PITCH, W-T-B RECEPTACLE CONNECTOR TERMINAL			
	0.5 OVER 1.0 UNDER	± 0.1	CHECKED BY	DATE				
	1.0 OVER 10 UNDER	± 0.30	KSSHANTHA	2007/12/07				
	10 OVER 30 UNDER	± ---	APPROVED BY	DATE	DOCUMENT NO.		SHEET NO.	
30 OVER	± ---	NAGESGKN	2007/12/07	SD-78172-008		2 OF 3		
ANGULAR	± 1 °	MATERIAL NO.		THIS DRAWING CONTAINS INFORMATION THAT IS PROPRIETARY TO MOLEX INCORPORATED AND SHOULD NOT BE USED WITHOUT WRITTEN PERMISSION				
DRAFT WHERE APPLICABLE MUST REMAIN WITHIN DIMENSIONS		SIZE A3						

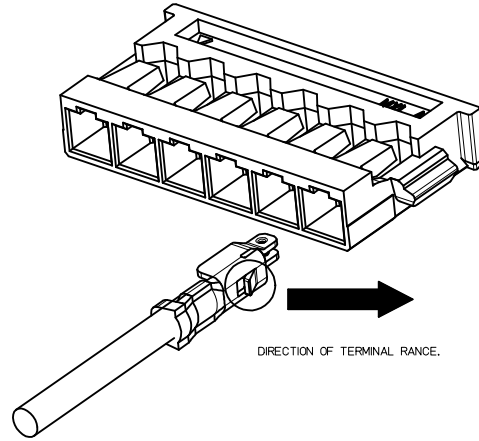
9 8 7 6 5 4 3 2 1

TERMINAL INSERTION DIRECTION.

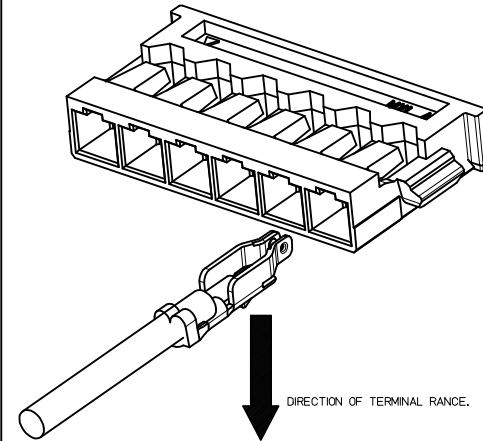
NOTE THE DIRECTION OF THE TERMINAL RANGE WHEN THE TERMINAL ENTERS THE HOUSING. (REFER TO THE BELOW FIGURE.)  
6 CKTS SHOWN AS ILLUSTRATION PURPOSE ONLY.



CORRECT



WRONG



WRONG

REVISED EC NO: J2016-0282 G	DRWN: TAKAIKE 2015/09/14 CHKD: KASAKAWA 2015/09/15 APPR: NUKITA 2015/09/15	DESCRIPTION	GENERAL TOLERANCES (UNLESS SPECIFIED)			DIMENSION STYLE MM ONLY		SCALE 20:1	DESIGN UNITS METRIC	THIRD ANGLE PROJECTION
			0.25 UNDER		± 0.03	DRAWN BY CWLAM	DATE 2007/11/05	TITLE 1.20MM PITCH, W-T-B RECEPTACLE CONNECTOR TERMINAL		
			0.25 OVER	0.5 UNDER	± 0.05	CHECKED BY KSSHANTHA	DATE 2007/12/07			
			0.5 OVER	1.0 UNDER	± 0.1	APPROVED BY NAGESGKN	DATE 2007/12/07			
			1.0 OVER	10 UNDER	± 0.30	MATERIAL NO.	DOCUMENT NO.			
10 OVER	30 UNDER	± ---	SEE SHEET 1		SD-78172-008		SHEET NO. 3 OF 3			
30 OVER		± ---	DRAFT WHERE APPLICABLE MUST REMAIN WITHIN DIMENSIONS			THIS DRAWING CONTAINS INFORMATION THAT IS PROPRIETARY TO MOLEX INCORPORATED AND SHOULD NOT BE USED WITHOUT WRITTEN PERMISSION				
ANGULAR	±1 °									