

85218-1 ✓ ACTIVE

## Multilock Connector System

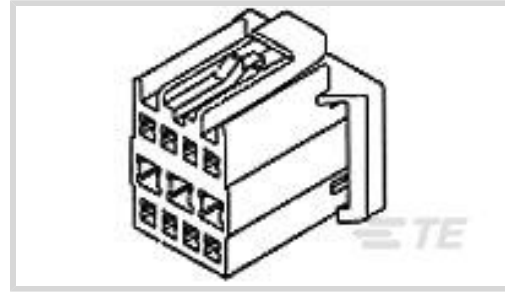
TE Internal #: 85218-1

Housing for Female Terminals, Wire-to-Wire, 11 Position, Natural, Signal, Cable Mount (Free-Hanging), Multilock Connector System

[View on TE.com >](#)



Connectors > Automotive Connectors > Connector Housings > MULTILOCK, CONNECTOR HOUSING



Connector & Housing Type: **Housing for Female Terminals**

Mating Tab Width: **1.7 mm, 2.8 mm [ .07 in, .11 in ]**

Connector System: **Wire-to-Wire**

Number of Positions: **11**

Sealable: **No**

[All MULTILOCK, CONNECTOR HOUSING \(576\)](#)

## Features

### Product Type Features

Connector & Housing Shape	Rectangular
Connector & Housing Type	Housing for Female Terminals
Connector System	Wire-to-Wire
Sealable	No
Hybrid Connector	Yes
Primary Locking Feature	Integrated in Housing

### Configuration Features

Number of Positions	11
Number of Rows	3

### Body Features

Cable Exit Angle	180°
Body Material	PBT
Primary Product Color	Natural

### Contact Features

Contact Size	1.8mm, 3mm
Contact Type	Receptacle
Mating Tab Width	1.7 mm, 2.8 mm[.07 in][.11 in]



### Mechanical Attachment

Mounting Feature	Without
Terminal Position Assurance	No
Strain Relief	Without
Mating Alignment Type	Polarized
Mating Alignment	With
Connector Mounting Type	Cable Mount (Free-Hanging)

### Dimensions

Product Width	22.8 mm[.897 in]
Product Length	22.6 mm[.889 in]
Product Height	21.9 mm[.862 in]
Row-to-Row Spacing	5.53 mm, 6.87 mm[.217 in][.27 in]

### Operation/Application

Circuit Application	Signal
---------------------	--------

### Packaging Features

Packaging Quantity	300
Packaging Method	Bag

### Other

Serviceable	No
Connector Position Assurance Capable	No

### Product Compliance

[For compliance documentation, visit the product page on TE.com>](#)

EU RoHS Directive 2011/65/EU	Compliant
EU ELV Directive 2000/53/EC	Compliant
China RoHS 2 Directive MIIT Order No 32, 2016	No Restricted Materials Above Threshold
EU REACH Regulation (EC) No. 1907/2006	Current ECHA Candidate List: JUNE 2022 (224) Candidate List Declared Against: JAN 2022 (223) SVHC > Threshold: Not Yet Reviewed
Halogen Content	Low Halogen - Br, Cl, F, I < 900 ppm per homogenous material. Also BFR/CFR/PVC Free

Solder Process Capability

Not applicable for solder process capability

Product Compliance Disclaimer

This information is provided based on reasonable inquiry of our suppliers and represents our current actual knowledge based on the information they provided. This information is subject to change. The part numbers that TE has identified as EU RoHS compliant have a maximum concentration of 0.1% by weight in homogenous materials for lead, hexavalent chromium, mercury, PBB, PBDE, DBP, BBP, DEHP, DIBP, and 0.01% for cadmium, or qualify for an exemption to these limits as defined in the Annexes of Directive 2011/65/EU (RoHS2). Finished electrical and electronic equipment products will be CE marked as required by Directive 2011/65/EU. Components may not be CE marked. Additionally, the part numbers that TE has identified as EU ELV compliant have a maximum concentration of 0.1% by weight in homogenous materials for lead, hexavalent chromium, and mercury, and 0.01% for cadmium, or qualify for an exemption to these limits as defined in the Annexes of Directive 2000/53/EC (ELV). Regarding the REACH Regulation, the information TE provides on SVHC in articles for this part number is based on the latest European Chemicals Agency (ECHA) 'Guidance on requirements for substances in articles' posted at this URL: <https://echa.europa.eu/guidance-documents/guidance-on-reach>

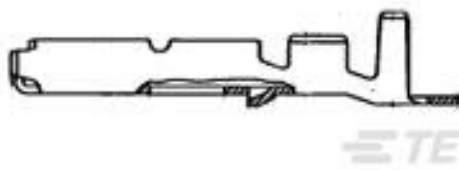
### Compatible Parts




TE Part # CAT-M9194-T273  
MULTILOCK, RECEPTACLE AND TAB



TE Part # CAT-M9194-CH8172  
MULTILOCK, CONNECTOR HOUSING



TE Part # 172775-1  
MIC MK-2 REC B TYPE




TE Part # 172773-1  
MIC MK-2 REC B TYPE




TE Part # 85217-2  
REAR HOLDER(YELLOW)-D.T.B

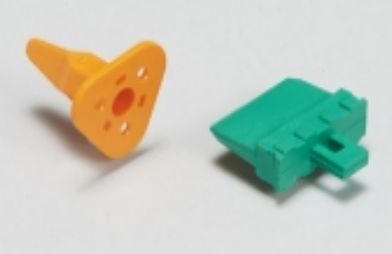
### Also in the Series | Multilock Connector System




Automotive Connector Caps & Covers (16)



Automotive Connector EMC Shielding (1)



Automotive Connector Locks & Position Assurance(2)



Automotive Housings(575)



Automotive Seals & Cavity Plugs(2)



Automotive Terminals(140)



Insertion & Extraction Tools(6)



Other Automotive Connector Accessories(9)



PCB Headers & Receptacles(129)

## Customers Also Bought



TE Part #1801286-1  
9W SEALED CONNECTOR FOR MCP CONTACT



TE Part #185283-1  
SPT WITH BARRIER



TE Part #1703402-1  
COVER,90,24POS.



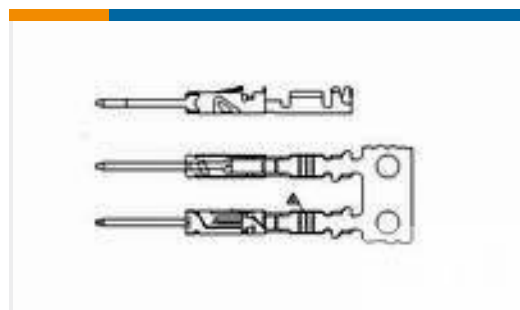
TE Part #6776556002  
RPPM-NR510-X-35MM



TE Part #6776556013  
RPPM-NR510-X-40MM



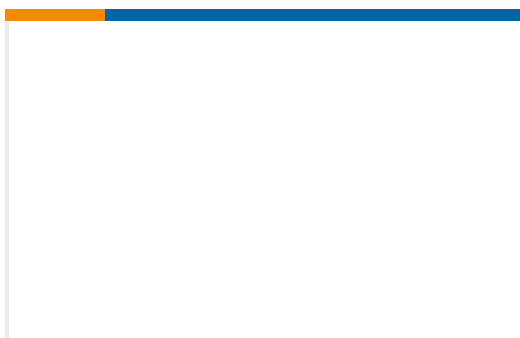
TE Part #2-963860-1  
TAB 2.8x0.8 CONTACT CF SRC Sn



TE Part #1411580-2  
STIFTKONT B5300N92



TE Part #3-2098922-5  
SDM,54P PLUG ASY,RHL,KEY B



TE Part #929031-1  
JPT KONT-SICHERNG4P



TE Part #929030-1  
FLA-STE-GEH5,8 1P

## Documents



**Product Drawings**

[070/110 11P PLUG HSG\(D.T.B\)](#)

English

---

**CAD Files**

[3D PDF](#)

3D

**Customer View Model**

[ENG\\_CVM\\_CVM\\_85218-1\\_H.2d\\_dxf.zip](#)

English

**Customer View Model**

[ENG\\_CVM\\_CVM\\_85218-1\\_H.3d\\_igs.zip](#)

English

**Customer View Model**

[ENG\\_CVM\\_CVM\\_85218-1\\_H.3d\\_stp.zip](#)

English

By downloading the CAD file I accept and agree to the [Terms and Conditions](#) of use.

---

**Datasheets & Catalog Pages**

[MULTILOCK Connector System](#)

English

---

**Product Specifications**

[Product Specification](#)

English

---

**Product Environmental Compliance**

[Product Compliance](#)

English

[Product Compliance](#)

English