

770030-1 ✓ ACTIVE

MATE-N-LOK | Universal MATE-N-LOK

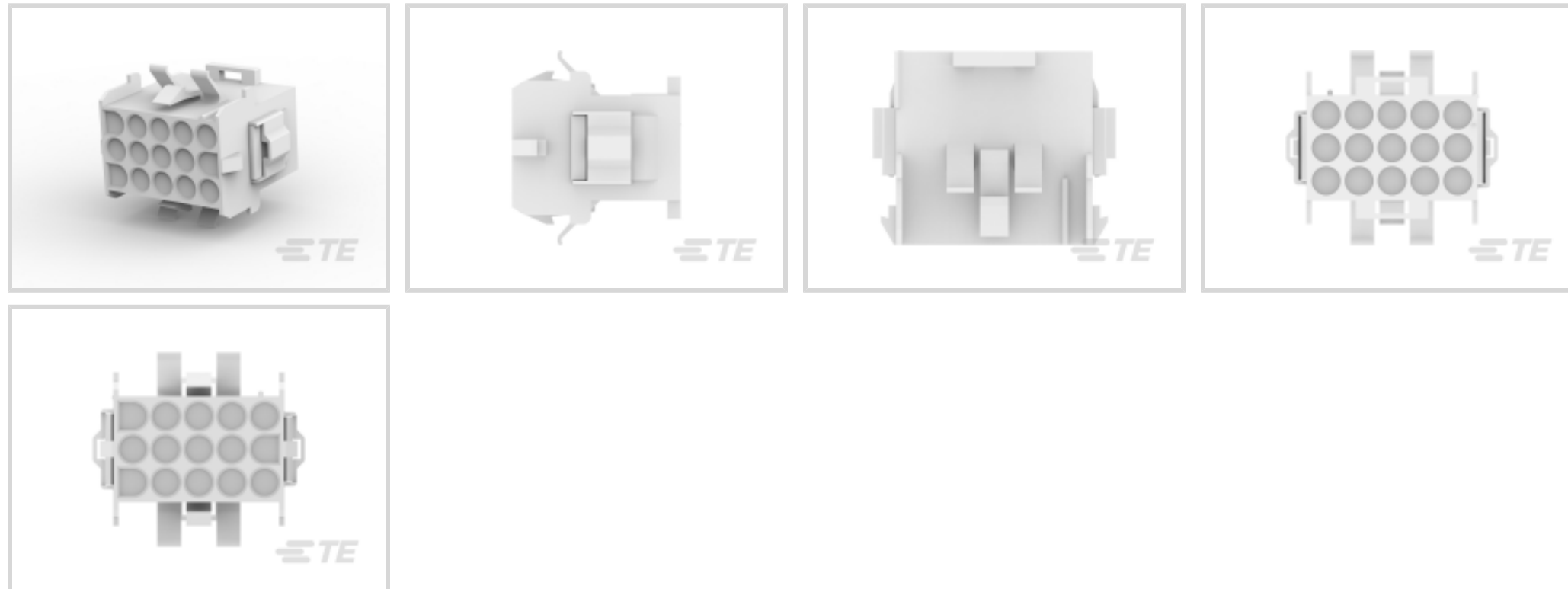
TE Internal #: 770030-1

Rectangular Power Connectors, Housing, Receptacle, Wire-to-Panel / Wire-to-Wire, 15 Position, .25 in [6.35 mm] Centerline, Universal MATE-N-LOK

[View on TE.com >](#)



Connectors > Power Connectors > Rectangular Power > Rectangular Power Connectors



Rectangular Power Connector Type: **Housing**

Connector & Housing Type: **Receptacle**

Connector System: **Wire-to-Panel, Wire-to-Wire**

Number of Positions: **15**

Centerline (Pitch): **6.35 mm [.25 in]**

Features

Product Type Features

Assembly Requirement	Unassembled Kit
Rectangular Power Connector Type	Housing
Connector & Housing Type	Receptacle
Connector System	Wire-to-Panel, Wire-to-Wire
Sealable	No
Connector & Contact Terminates To	Wire & Cable

Configuration Features

Number of Positions	15
Number of Rows	3

Electrical Characteristics

Operating Voltage	600 VAC
-------------------	---------

Contact Features

Contact Layout	Matrix
Multiple Contact Types	Without



Contact Retention Within Housing	Without
Contact Type	Pin

Termination Features

Termination Method to Wire & Cable	Crimp
------------------------------------	-------

Mechanical Attachment

Panel Mount Feature	With
Panel Mount Feature Type	Latches
Connector Mounting Type	Panel Mount

Housing Features

Centerline (Pitch)	6.35 mm [.25 in]
Housing Color	White
Housing Material	Nylon GF

Dimensions

Row-to-Row Spacing	6.35 mm [.25 in]
Width	21.46 mm
Panel Thickness	.76 – 2.29 mm [.76 – 2.29 in]
Length	33.02 mm

Usage Conditions

Operating Temperature Range	-55 – 120 °C [-67 – 248 °F]
-----------------------------	-----------------------------

Operation/Application

Assembly Integration Feature	Without
Circuit Application	Power & Signal

Industry Standards

CSA Rating	Certified
UL Flammability Rating	UL 94V-0
Glow Wire Rating	Standard Part - Not Glow Wire
Agency/Standard Number	E28476
Agency/Standard	CSA, UL
UL Rating	Recognized
CSA File Number	LR7189
VDE Tested	Yes



Packaging Features

Packaging Method	Package
Packaging Quantity	1

Other

For Use With	Standard Universal MATE-N-LOK Connectors
--------------	--

Product Compliance

[For compliance documentation, visit the product page on TE.com>](#)

EU RoHS Directive 2011/65/EU	Compliant
EU ELV Directive 2000/53/EC	Compliant
China RoHS 2 Directive MIIT Order No 32, 2016	No Restricted Materials Above Threshold
EU REACH Regulation (EC) No. 1907/2006	Current ECHA Candidate List: JUNE 2022 (224) Candidate List Declared Against: JAN 2022 (223) SVHC > Threshold: Not Yet Reviewed
Halogen Content	Low Halogen - Br, Cl, F, I < 900 ppm per homogenous material. Also BFR/CFR/PVC Free
Solder Process Capability	Not applicable for solder process capability

Product Compliance Disclaimer

This information is provided based on reasonable inquiry of our suppliers and represents our current actual knowledge based on the information they provided. This information is subject to change. The part numbers that TE has identified as EU RoHS compliant have a maximum concentration of 0.1% by weight in homogenous materials for lead, hexavalent chromium, mercury, PBB, PBDE, DBP, BBP, DEHP, DIBP, and 0.01% for cadmium, or qualify for an exemption to these limits as defined in the Annexes of Directive 2011/65/EU (RoHS2). Finished electrical and electronic equipment products will be CE marked as required by Directive 2011/65/EU. Components may not be CE marked. Additionally, the part numbers that TE has identified as EU ELV compliant have a maximum concentration of 0.1% by weight in homogenous materials for lead, hexavalent chromium, and mercury, and 0.01% for cadmium, or qualify for an exemption to these limits as defined in the Annexes of Directive 2000/53/EC (ELV). Regarding the REACH Regulation, the information TE provides on SVHC in articles for this part number is based on the latest European Chemicals Agency (ECHA) 'Guidance on requirements for substances in articles' posted at this URL: <https://echa.europa.eu/guidance-documents/guidance-on-reach>

Compatible Parts




TE Part # 770253-3
UMNLI SOK PTPPHBZ LP 24-18



TE Part # 770247-3
UMNLI SOK PTPPHBZ LP 12-10



TE Part # 1-770251-0
UMNLII SOK PTPPHBZ LP LF 20-14



TE Part # 1-770250-0
UMNLI PIN SN/AUNI/BR LP20-14



TE Part # 350736-1
15P UMNLI PLUG HSG



TE Part # 1-770005-0
UMNLI PIN AUSN/NI/BR



TE Part # 770043-1
15P UMNLI PLUG-FRONT 94VO



TE Part # 770044-1
15P UMNLI PLUG REAR 94VO



TE Part # 770023-1
15P UMNLI IN-LNE PLUG HSG KIT



TE Part # 1-770247-0
UMNLI SOK SN/AUNI/PHBZ LP



TE Part # 770003-3
UMNLI PIN PTPPHBZ



TE Part # 770004-3
UMNLI SOK PTPPHBZ



TE Part # 770008-3
UMNLI SOK PTPPHBZ



TE Part # 770007-1
UMNLI PIN PTPBR



TE Part # 770009-1
UMNLI PIN PTPBR



TE Part # 1-770006-0
UMNLI SOK SN/AUNI/PHBZ



TE Part # 1-770008-0
UMNLII SOK SN/AU/PHBZ LF



TE Part # 1-770253-0
UMNLII SOK PTPPHBZ LP LF 24-18



TE Part # 770248-1
UMNLI PIN PTPBR LP 20-14AWG



TE Part # 770254-1
UMNLI GROUND PIN LP 14-20

Also in the Series | **Universal MATE-N-LOK**



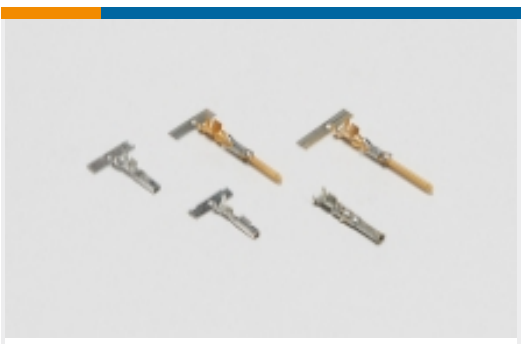
Circular Power Connectors(2)



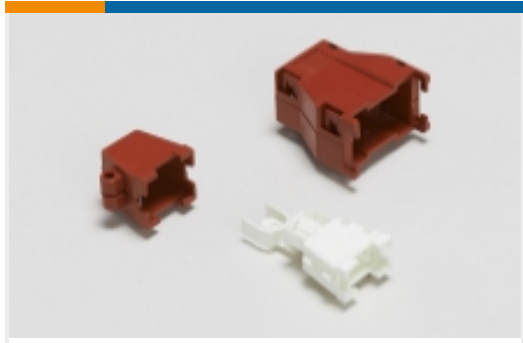
Connector Contacts(11)



Insertion & Extraction Tools(4)



Power Contacts(207)



Rectangular Boots & Strain Relief(35)



Rectangular Connector Adapters(7)



Rectangular Connector Hardware(1)



Rectangular Connector Housings(2)



Rectangular Connector Keying Plugs(3)



Rectangular Connector Locking(4)



Rectangular Connector Seals(26)



Rectangular Power Connectors(729)

Customers Also Bought



TE Part #1-770250-0
UMNL II PIN SN/AUNI/BR LP20-14



TE Part #770028-1
09P UMNLII IN-LINE CAP HSG KIT



TE Part #770026-1
04P UMNLII IN-LINE CAP HSG KIT



TE Part #770024-1
02P UMNLII IN-LINE CAP HSG KIT



TE Part #770021-1
09P UMNLII IN-LINE PLUG HSG KIT



TE Part #770027-1
06P UMNLII IN-LINE CAP HSG KIT



TE Part #770025-1
03P UMNLII IN-LINE CAP HSG KIT



TE Part #770017-1
02P UMNLII IN-LINE PLUG HSG KIT



Documents

Product Drawings

15P UMNLI IN-LINE CAP HSG KIT

English

CAD Files

3D PDF

3D

Customer View Model

[ENG_CVM_CVM_770030-1_E.2d_dxf.zip](#)

English

Customer View Model

[ENG_CVM_CVM_770030-1_E.3d_igs.zip](#)

English

Customer View Model

[ENG_CVM_CVM_770030-1_E.3d_stp.zip](#)

English

By downloading the CAD file I accept and agree to the [Terms and Conditions](#) of use.

Datasheets & Catalog Pages

SOFT_SHELL_PIN_SOCKET_CONNECTORS_STANDARD_DENSITY

English

Product Specifications

Application Specification

English

Product Environmental Compliance

Product Compliance

English

Product Compliance

English

Instruction Sheets

Instruction Sheet (U.S.)

English

Agency Approvals



[VDE Certificate](#)

English