



TE Internal #: 880642-3

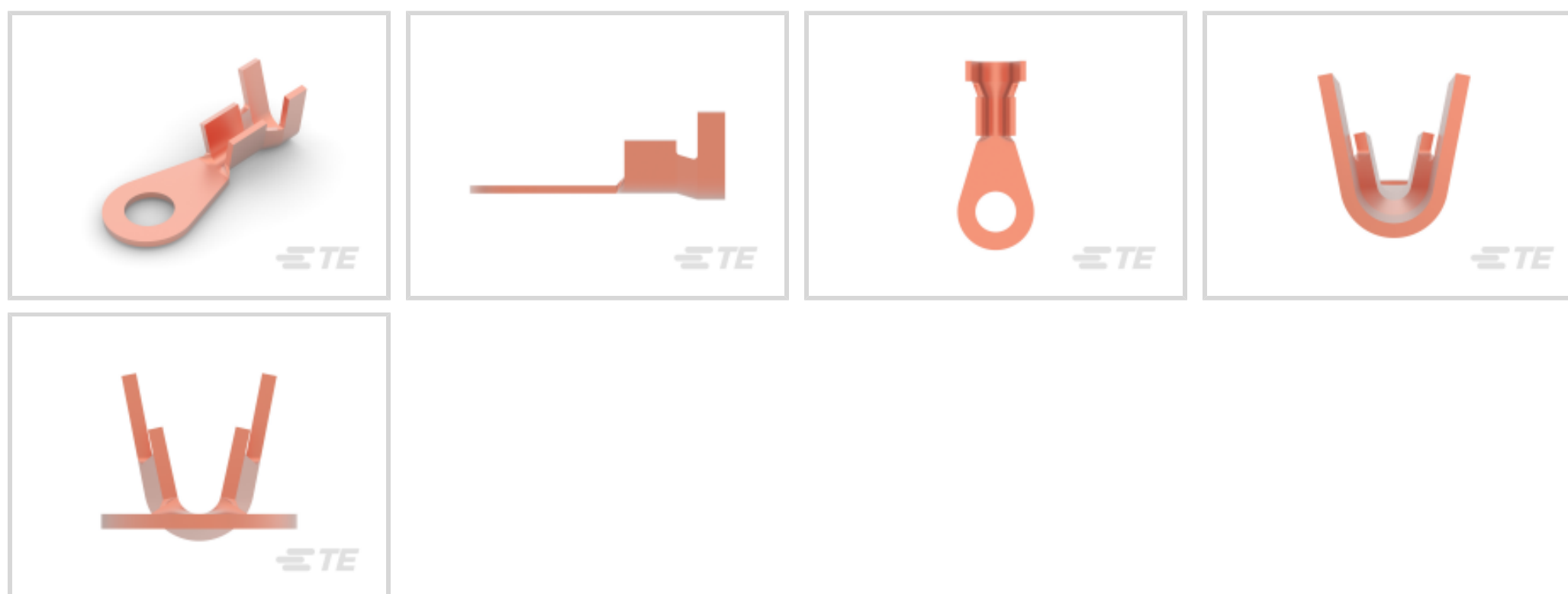
Ring Terminals & Spade Terminals, Ring Tongue, 17 – 13 AWG

Wire Size, 1 – 2.5 mm² Wire Size, 2048 – 5178 CMA Wire Size, Stud

Size #8 / M4

[View on TE.com >](#)

Terminals & Splices > Ring Terminals & Spade Terminals



Ring & Spade Terminal Type: **Ring Tongue**

Wire Size: **2048 – 5178 CMA**

Stud Size: **#8, M4**

Features

Product Type Features

Stud Size	#8, M4
Sealable	No
Compatible With Discrete Wire Type	Stranded
Wire Insulation Support Retention Type	Insulation Support

Configuration Features

Terminal Angle	180 °
----------------	-------

Contact Features

Ring & Spade Terminal Type	Ring Tongue
Barrel Type	Open
Terminal Orientation	Straight
Terminal Plating Material	Unplated

Mechanical Attachment

Wire Insulation Support	With
-------------------------	------

Dimensions

Wire Size	2048 – 5178 CMA
Stud Diameter	4.3 mm[.169 in]



Tongue Thickness	.6 mm[.023 in]
Overall Product Length	19.8 mm[.779 in]
Barrel Inside Diameter	1.82 mm, 3.32 mm[.071 in][.13 in]
Accepts Wire Insulation Diameter (Max)	3.99 mm[.157 in]
Accepts Wire Insulation Diameter Range	2.7 – 4 mm[.106 – .157 in]

Usage Conditions

Insulation Option	Uninsulated
Operating Temperature Range	-40 – 105 °C[-40 – 221 °F]

Operation/Application

Compatible With Wire Base Material	Copper
Heavy Duty	No

Industry Standards

Government Qualified	No
----------------------	----

Packaging Features

Packaging Quantity	5000
Packaging Method	Strip/Reel

Product Compliance

[For compliance documentation, visit the product page on TE.com>](#)

EU RoHS Directive 2011/65/EU	Compliant
EU ELV Directive 2000/53/EC	Compliant
China RoHS 2 Directive MIIT Order No 32, 2016	No Restricted Materials Above Threshold
EU REACH Regulation (EC) No. 1907/2006	Current ECHA Candidate List: JUNE 2022 (224) Candidate List Declared Against: JAN 2022 (223) SVHC > Threshold: Not Yet Reviewed
Halogen Content	Low Halogen - Br, Cl, F, I < 900 ppm per homogenous material. Also BFR/CFR/PVC Free
Solder Process Capability	Not applicable for solder process capability

Product Compliance Disclaimer

This information is provided based on reasonable inquiry of our suppliers and represents our current actual knowledge based on the information they provided. This information is subject to change. The part numbers that TE has identified as

EU RoHS compliant have a maximum concentration of 0.1% by weight in homogenous materials for lead, hexavalent chromium, mercury, PBB, PBDE, DBP, BBP, DEHP, DIBP, and 0.01% for cadmium, or qualify for an exemption to these limits as defined in the Annexes of Directive 2011/65/EU (RoHS2). Finished electrical and electronic equipment products will be CE marked as required by Directive 2011/65/EU. Components may not be CE marked. Additionally, the part numbers that TE has identified as EU ELV compliant have a maximum concentration of 0.1% by weight in homogenous materials for lead, hexavalent chromium, and mercury, and 0.01% for cadmium, or qualify for an exemption to these limits as defined in the Annexes of Directive 2000/53/EC (ELV). Regarding the REACH Regulation, the information TE provides on SVHC in articles for this part number is based on the latest European Chemicals Agency (ECHA) 'Guidance on requirements for substances in articles' posted at this URL: <https://echa.europa.eu/guidance-documents/guidance-on-reach>

Compatible Parts



TE Part # 626085-1
RING TONGUE



TE Part # 2-2150568-1
OCEAN_2.0_APPLICATOR-E-130F180F



TE Part # 2-2150568-2
OCEAN_2.0_APPLICATOR-E-130F180F



TE Part # 2150568-1
OCEAN_2.0_APPLICATOR-E-130F180F



TE Part # 2150568-2
OCEAN_2.0_APPLICATOR-E-130F180F



TE Part # 444025-1
RING TONGUE ANTITOR



TE Part # 7-2150568-1
OCEAN_2.0_APPLICATOR-E-130F180F



TE Part # 7-2150568-2
OCEAN_2.0_APPLICATOR-E-130F180F



KIT
REPRESENTATION ONLY

TE Part # 7-2150568-7
OCEAN_2.0_SPARE_PART_KIT-130F180F

Customers Also Bought



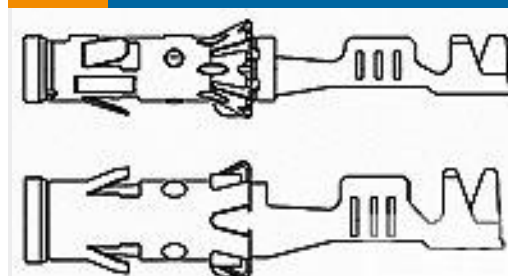
TE Part #6-1579007-1
EXTRACTION TOOL



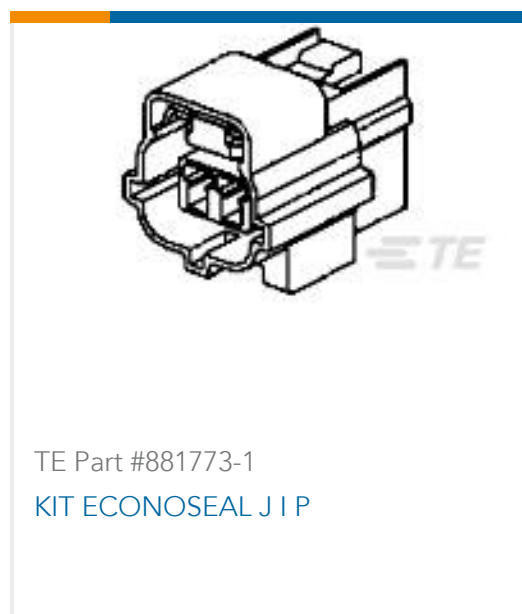
TE Part #828922-1
2,5MM CAVITY PLUG FOR 5,4MM DI



TE Part #1670365-1
COVER MIXED,180,2-3POS,BK



TE Part #929990-7
1,5MM SOCK CONTACT



Documents

Product Drawings

RING TONGUE

English

CAD Files

3D PDF

3D

Customer View Model

[ENG_CVM_CVM_880642-3_A.2d_dxf.zip](#)

English

Customer View Model

[ENG_CVM_CVM_880642-3_A.3d_igs.zip](#)

English

Customer View Model

[ENG_CVM_CVM_880642-3_A.3d_stp.zip](#)

English

Customer View Model

[ENG_CVM_880642-3_B.3d_igs.zip](#)

English

Customer View Model

[ENG_CVM_880642-3_B.3d_stp.zip](#)

English

Customer View Model

[ENG_CVM_880642-3_B.2d_dxf.zip](#)

English

3D PDF

English

By downloading the CAD file I accept and agree to the [Terms and Conditions](#) of use.

Product Specifications

Product Specification

English

Product Specification

English

Product Specification



English