

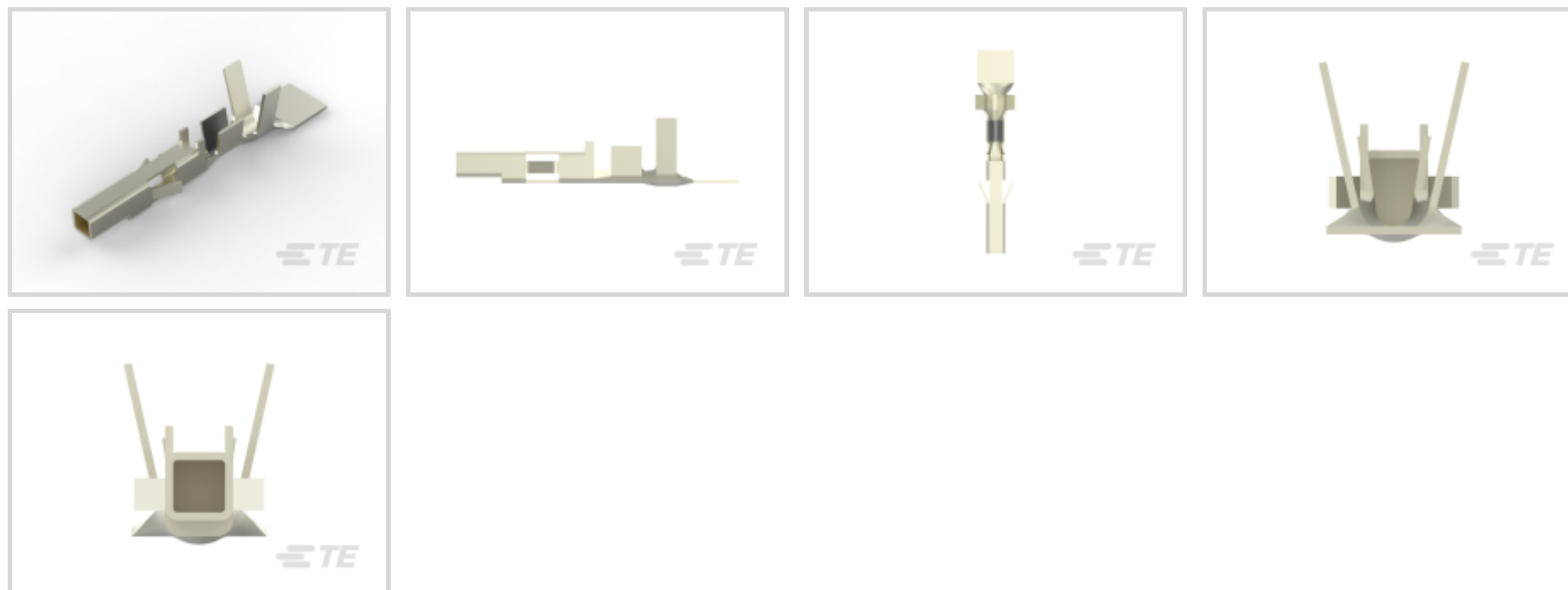
VAL-U-LOK

TE Internal #: 794956-2

Power Contacts, Contact, 600 VAC, Gold, 22 – 18 AWG Wire Size, .3 – .82 mm² Wire Size, Wire-to-Board / Wire-to-Wire, Wire & Cable, Crimp, Power

[View on TE.com >](#)

Connectors > Power Connectors > Power Contacts

Power Contact Type: **Contact**Operating Voltage: **600 VAC**Contact Mating Area Plating Material: **Gold**Wire Size: **.3 – .82 mm²**

Features

Product Type Features

Power Contact Type	Contact
Connector System	Wire-to-Board, Wire-to-Wire
Connector & Contact Terminates To	Wire & Cable

Electrical Characteristics

Operating Voltage	600 VAC
-------------------	---------

Contact Features

Contact Shape & Form	Single Beam
Contact Mating Area Plating Material	Gold
Contact Current Rating (Max)	9 A
Contact Type	Socket
Contact Retention Within Housing	With
Mating Square Post Dimension	1.14 mm [.045 in]
Contact Base Material	Brass
Contact Mating Area Plating Material Thickness	.76 μm [30 μin]
Wire Contact Termination Area Plating Thickness	2.54 μm [100 μin]



Wire Contact Termination Area Plating Material	Pre-Tin
Wire Contact Termination Area Plating Material Finish	Bright
Contact Orientation	Straight
Contact Underplating Material	Nickel
Contact Underplating Material Thickness	1.27 µm[50 µin]

Termination Features

Termination Method to Wire & Cable	Crimp
------------------------------------	-------

Mechanical Attachment

Connector Mounting Type	Cable Mount (Free-Hanging)
Wire Insulation Support	Without

Dimensions

Wire Size	.3 – .82 mm ²
Accepts Wire Insulation Diameter Range	1.5 – 3.1 mm[.059 – .122 in]

Usage Conditions

Operating Temperature Range	-40 – 105 °C[-40 – 221 °F]
-----------------------------	----------------------------

Operation/Application

Circuit Application	Power
---------------------	-------

Industry Standards

Glow Wire Rating	Standard Part - Not Glow Wire
Agency/Standard	CSA, UL
CSA File Number	208567
UL Rating	Recognized
UL File Number	E28476

Packaging Features

Packaging Method	Reel
Packaging Quantity	3500

Other

Wire/Cable Type	Discrete Wire
-----------------	---------------

Product Compliance

[For compliance documentation, visit the product page on TE.com>](#)

EU RoHS Directive 2011/65/EU	Compliant
EU ELV Directive 2000/53/EC	Compliant
China RoHS 2 Directive MIIT Order No 32, 2016	No Restricted Materials Above Threshold
EU REACH Regulation (EC) No. 1907/2006	Current ECHA Candidate List: JUNE 2022 (224) Candidate List Declared Against: JUNE 2022 (224) Does not contain REACH SVHC
Halogen Content	Low Halogen - Br, Cl, F, I < 900 ppm per homogenous material. Also BFR/CFR/PVC Free
Solder Process Capability	Not applicable for solder process capability

Product Compliance Disclaimer

This information is provided based on reasonable inquiry of our suppliers and represents our current actual knowledge based on the information they provided. This information is subject to change. The part numbers that TE has identified as EU RoHS compliant have a maximum concentration of 0.1% by weight in homogenous materials for lead, hexavalent chromium, mercury, PBB, PBDE, DBP, BBP, DEHP, DIBP, and 0.01% for cadmium, or qualify for an exemption to these limits as defined in the Annexes of Directive 2011/65/EU (RoHS2). Finished electrical and electronic equipment products will be CE marked as required by Directive 2011/65/EU. Components may not be CE marked. Additionally, the part numbers that TE has identified as EU ELV compliant have a maximum concentration of 0.1% by weight in homogenous materials for lead, hexavalent chromium, and mercury, and 0.01% for cadmium, or qualify for an exemption to these limits as defined in the Annexes of Directive 2000/53/EC (ELV). Regarding the REACH Regulation, the information TE provides on SVHC in articles for this part number is based on the latest European Chemicals Agency (ECHA) 'Guidance on requirements for substances in articles' posted at this URL: <https://echa.europa.eu/guidance-documents/guidance-on-reach>

Compatible Parts





TE Part # 5-2151096-2
OCEAN-2.0-APPLICATOR-S-062F125FA



TE Part # 7-2151096-1
OCEAN-2.0-APPLICATOR-S-062F125F



TE Part # 7-2151096-2
OCEAN-2.0-APPLICATOR-S-062F125FA



TE Part # 7-2151096-7
OCEAN_2.0_SPARE_PART_KIT-062F125F



TE Part # 7-2836879-7
OC-062F125F-752-CRIMPTOOLINGKIT

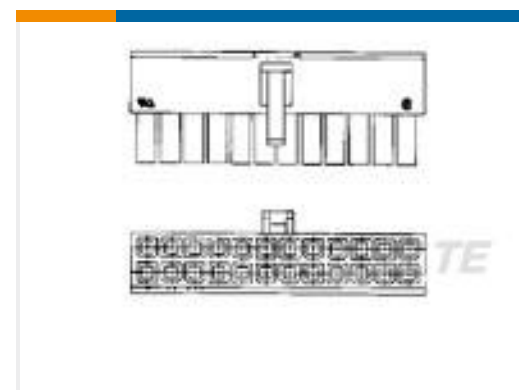
Customers Also Bought



TE Part #1-2273011-1
M8 x 1.0 Angled socket Pigtail



TE Part #5-2176231-3
3522 1K5 1% 3W



TE Part #1-794954-4
14P RCPT VAL-U-LOK V2



TE Part #EH2296-000
DWFR-8/2-0-STK



TE Part #2-1625868-0
RP 2A 0.25W 100K 0.1% 25PPM 1K RL



TE Part #2316366-3
AV19 SPM 3A POWER LOGO R&B 12V



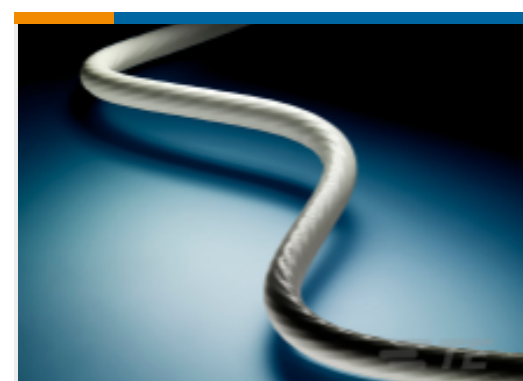
TE Part #1-2273003-1
M8 x 1.0 straight socket Pigtail



TE Part #T4171230012-001
M12,FRONT MOUNT,MALE, A,12P, 0.2 M WIRE



TE Part #6-2271116-2
M12, FEMALE, A CODE, 12P, PG9 (AU)



TE Part #EH6055-000
SHF260-0113-1-9

Documents



Product Drawings

VAL-U-LOK SKT BR AU 22-18AWG

English

CAD Files

Customer View Model

[ENG_CVM_CVM_794956-2_G.2d_dxf.zip](#)

English

3D PDF

3D

Customer View Model

[ENG_CVM_CVM_794956-2_G.3d_igs.zip](#)

English

Customer View Model

[ENG_CVM_CVM_794956-2_G.3d_stp.zip](#)

English

By downloading the CAD file I accept and agree to the [Terms and Conditions](#) of use.

Datasheets & Catalog Pages

SOFT_SHELL_PIN_AND_SOCKET_CONNECTORS_CATALOG

English

Product Specifications

Application Specification

English

Product Environmental Compliance

TE Material Declaration

English