

796075-1 ✓ ACTIVE

AMP | AMP CPC

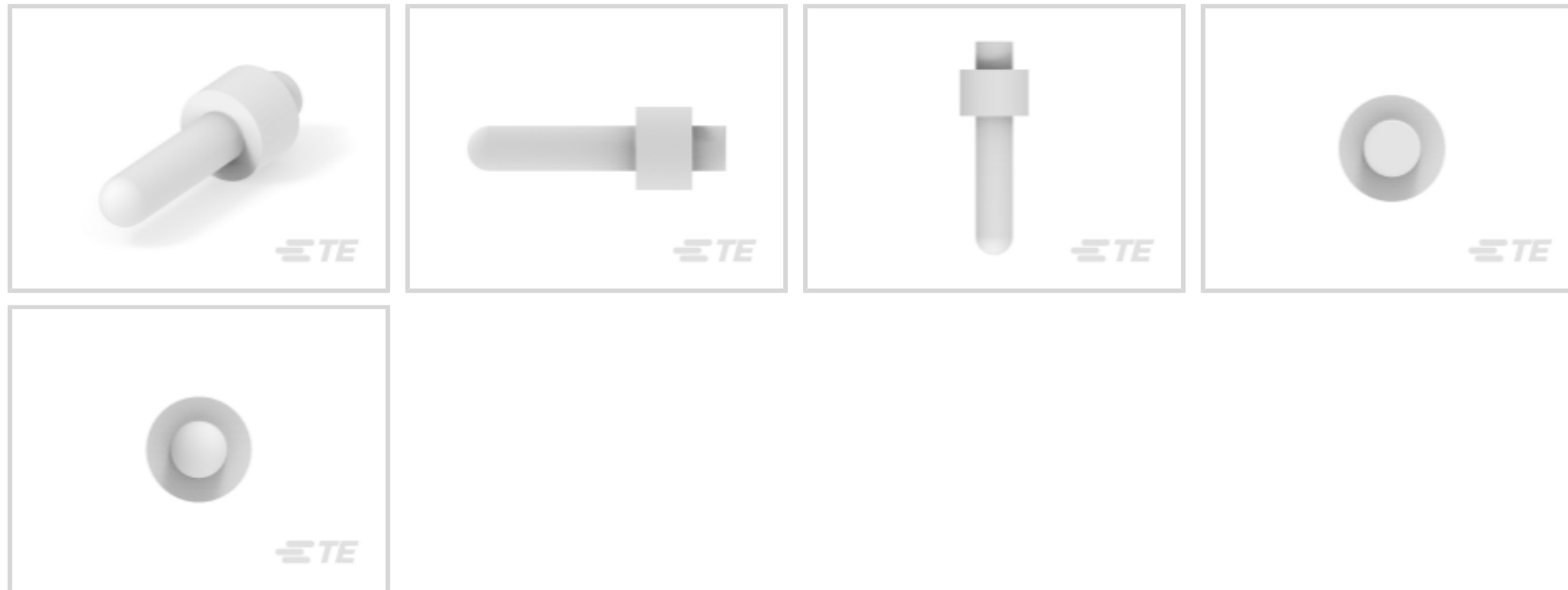
TE Internal #: 796075-1

Circular Connector Seals, Wire Entry Seal, -55 – 105 °C [-67 – 221 °F], AMP CPC

[View on TE.com >](#)



Connectors > Circular Connectors > Circular Connector Accessories > Circular Connector Seals > CPC SERIES 5 SEALED ACCESSORIES



Connector Seal Type: **Wire Entry Seal**

Operating Temperature Range: -55 – 105 °C [-67 – 221 °F]

[All CPC SERIES 5 SEALED ACCESSORIES \(6\)](#)

Features

Product Type Features

Connector Style	Plug
Connector Seal Type	Wire Entry Seal

Body Features

Wire Seal Color	Natural
Color	Natural

Usage Conditions

Operating Temperature Range	-55 – 105 °C[-67 – 221 °F]
-----------------------------	----------------------------

Packaging Features

Packaging Quantity	6
Packaging Method	Loose Piece

Product Compliance

[For compliance documentation, visit the product page on TE.com>](#)

EU RoHS Directive 2011/65/EU	Compliant
EU ELV Directive 2000/53/EC	Compliant

China RoHS 2 Directive MIIT Order No 32, 2016

No Restricted Materials Above Threshold

EU REACH Regulation (EC) No. 1907/2006

Current ECHA Candidate List: JUNE 2022 (224)

Candidate List Declared Against: JUNE 2022 (224)

Does not contain REACH SVHC

Halogen Content

Low Halogen - Br, Cl, F, I < 900 ppm per homogenous material. Also BFR/CFR/PVC Free

Solder Process Capability

Not applicable for solder process capability

Product Compliance Disclaimer

This information is provided based on reasonable inquiry of our suppliers and represents our current actual knowledge based on the information they provided. This information is subject to change. The part numbers that TE has identified as EU RoHS compliant have a maximum concentration of 0.1% by weight in homogenous materials for lead, hexavalent chromium, mercury, PBB, PBDE, DBP, BBP, DEHP, DIBP, and 0.01% for cadmium, or qualify for an exemption to these limits as defined in the Annexes of Directive 2011/65/EU (RoHS2). Finished electrical and electronic equipment products will be CE marked as required by Directive 2011/65/EU. Components may not be CE marked. Additionally, the part numbers that TE has identified as EU ELV compliant have a maximum concentration of 0.1% by weight in homogenous materials for lead, hexavalent chromium, and mercury, and 0.01% for cadmium, or qualify for an exemption to these limits as defined in the Annexes of Directive 2000/53/EC (ELV). Regarding the REACH Regulation, the information TE provides on SVHC in articles for this part number is based on the latest European Chemicals Agency (ECHA) 'Guidance on requirements for substances in articles' posted at this URL: <https://echa.europa.eu/guidance-documents/guidance-on-reach>

Compatible Parts



TE Part # 796288-1
PLUG.ASSY,23-37STD SEX THRD AD

Also in the Series | AMP CPC



Circular Connector Adapters(7)



Circular Connector Boots & Strain Relief(6)



Circular Connector Caps & Covers(16)



Circular Connector Hardware(3)



Circular Connector Keying Plugs(2)



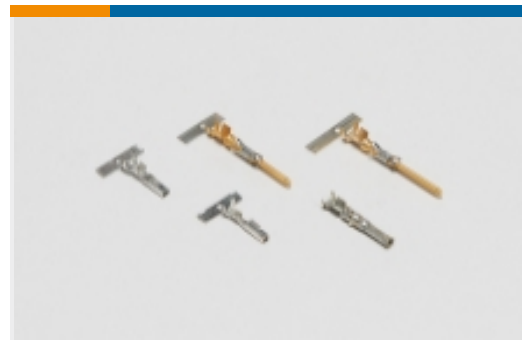
Circular Connector Seals(36)



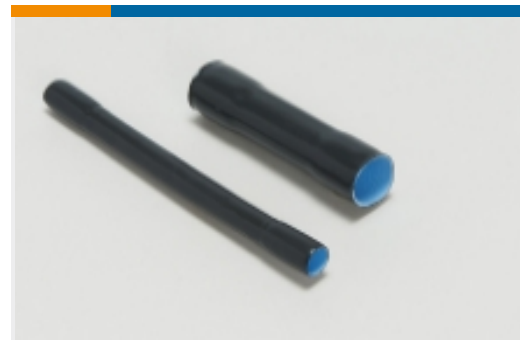
Circular Power Connectors(516)



Insertion & Extraction Tools(1)



Power Contacts(6)

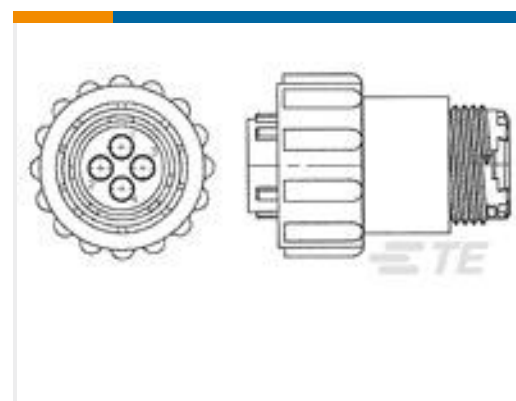
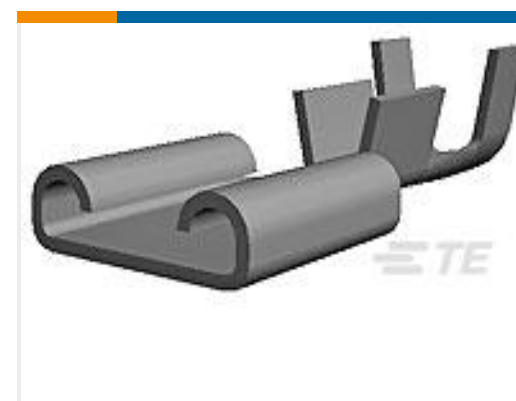
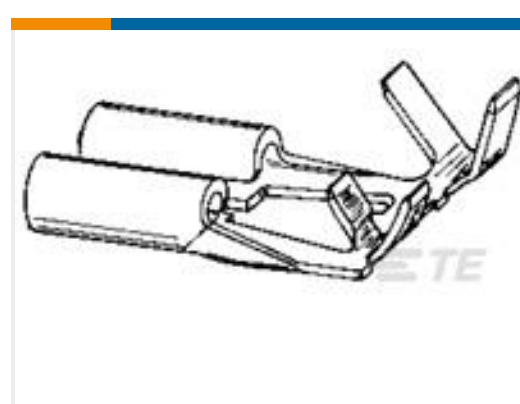


Sealing Sleeves(2)



Unscreened Circular Connector Backshells & Clamps(56)

Customers Also Bought

TE Part #796190-1
CPC SERIES 1 SEALED ONE-PIECETE Part #8-1618406-3
EV202ASAND=Relay, DPST-NO 28VTE Part #788157-1
SLD CPC 13-9 PLUG,STD,SM INSTE Part #170181-2
205 FASTON,REC.,22-18 AWG,BRTE Part #4-170823-1
205 FASTON SLEEVE,REC.,NATRUALTE Part #160861-8
250 FASTON,FLAG,REC.,20-17 AWG,TPPBTE Part #E22982-000
B-155-3807-W1

Documents

[Product Drawings](#)
[NGC SEALING PLUG](#)

English

[CAD Files](#)

[3D PDF](#)

3D

[Customer View Model](#)

[ENG_CVM_CVM_796075-1_C.2d_dxf.zip](#)



English

Customer View Model

[ENG_CVM_CVM_796075-1_C.3d_igs.zip](#)

English

Customer View Model

[ENG_CVM_CVM_796075-1_C.3d_stp.zip](#)

English

[3D PDF](#)

English

Customer View Model

[ENG_CVM_796075-1_D.2d_dxf.zip](#)

English

Customer View Model

[ENG_CVM_796075-1_D.3d_igs.zip](#)

English

Customer View Model

[ENG_CVM_796075-1_D.3d_stp.zip](#)

English

By downloading the CAD file I accept and agree to the [Terms and Conditions](#) of use.

Datasheets & Catalog Pages

[1-1773902-9_CPC_Catalog](#)

German

[1-1773902-9_CPC_Catalog](#)

English

[1-1773902-9_CPC_Catalog](#)

[1-1773902-9_CPC_Catalog](#)

Japanese

Product Environmental Compliance

[Product Compliance](#)

English

[Product Compliance](#)

English