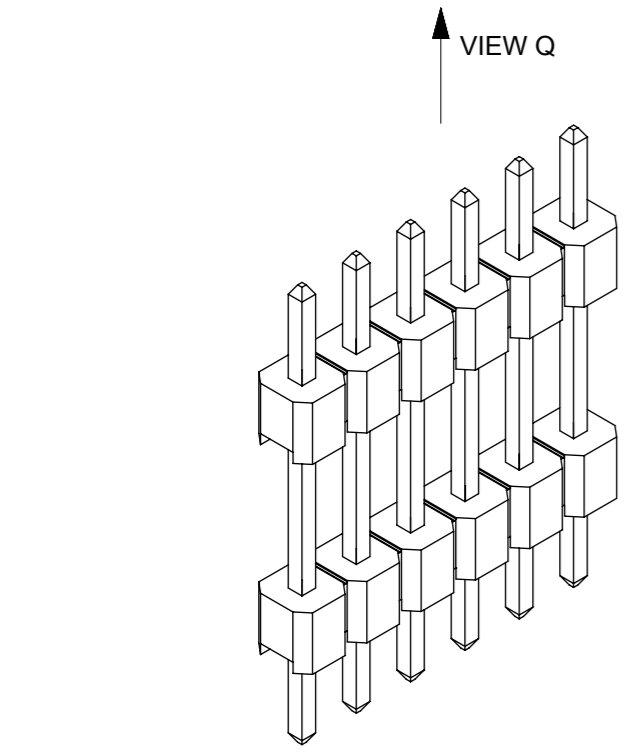
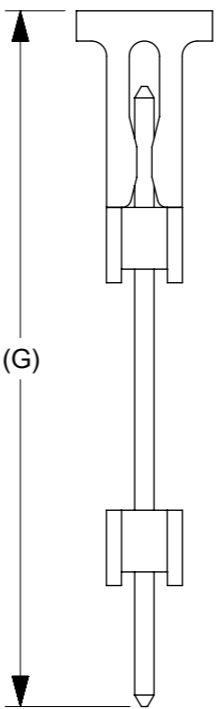
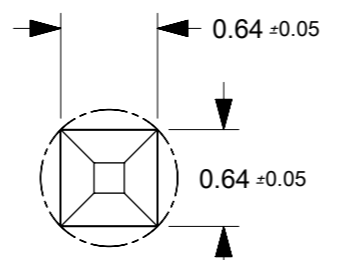
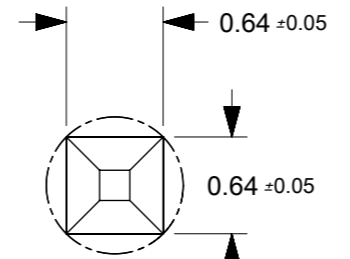
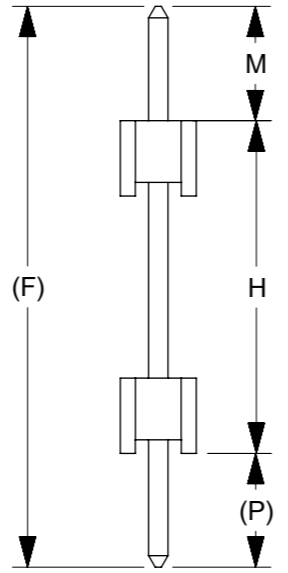
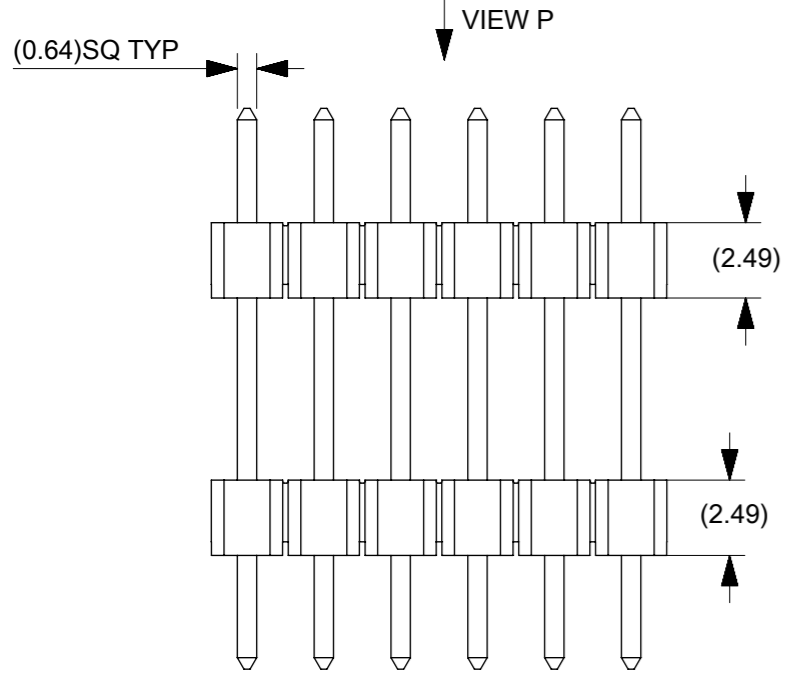


RECOMMENDED PCB HOLE LAYOUT



- NOTES:
- MATERIAL:
    - HOUSING: NYLON, GLASS FILLED, UL94V-0, COLOR: BLACK
    - TERMINAL: 0.64MM SQ PIN, COPPER ALLOY
  - PLATING TYPE:
    - GOLD FLASH OVER  
1.25µm MIN. NICKEL OVERALL.
    - 0.05 µm MIN. GOLD PLATE ON CONTACT AND 2.50 µm MIN. TIN ON SOLDER TAIL OVER  
1.25 µm MIN. NICKEL OVERALL.
    - 0.38 µm MIN. GOLD PLATE ON CONTACT AND 2.00 µm MIN. TIN ON SOLDER TAIL OVER  
1.25 µm MIN. NICKEL OVERALL.
    - 0.75 µm MIN. GOLD PLATE ON CONTACT AND 2.00 µm MIN. TIN ON SOLDER TAIL OVER  
1.25 µm MIN. NICKEL OVERALL.
    - 2.50 µm MIN. TIN OVER  
1.25 µm MIN. NICKEL OVERALL.
    - 0.75 µm MIN. GOLD PLATE ON CONTACT AND SOLDER TAIL OVER 1.25 µm MIN. NICKEL OVERALL.
  - THE ABOVE 6 CKT IS FOR ILLUSTRATION PURPOSE ONLY.
  - PACKAGING TYPE: SEE TABLE
  - RECOMMENDED PCB THICKNESS 1.60MM.
  - PRODUCT SPECIFICATION: PS-87920-019
  - WAFER TO BE FLAT WITHIN 0.003mm/mm  
IRREGULAR CIRCUIT CUTOFF WITHIN BREAKAWAY SECTION
  - IS PERMISSIBLE. CUTTING OR CHIPPING OF THE MAIN BODY IS NOT ACCEPTABLE.
  - PARTS ARE NOT STACKABLE ON 2.54 CENTER
  - PACKAGING SPECIFICATION: SEE TABLE

RELEASE STATUS	RELEASE DATE
----------------	--------------

THIS DRAWING CONTAINS INFORMATION THAT IS PROPRIETARY TO MOLEX ELECTRONIC TECHNOLOGIES, LLC AND SHOULD NOT BE USED WITHOUT WRITTEN PERMISSION													
QUALITY SYMBOLS ▽ = 0 ▽ = 0 ▽ = 0 ▼ = 0 ▽ = 0 ▽ = 0 ▽ = 0 ▽ = 0 ▽ = 0 ▽ = 0	MIGRATED TO NX EC NO: 114466 DRWN: CMN CHK'D: REV APPR: ISHWARG	2017/01/30 2017/03/15	GENERAL TOLERANCES (UNLESS SPECIFIED)		DIMENSION UNITS		SCALE						
			MM	INCH	MM	NTS	DRWN BY			DATE			
			4 PLACES	±	±	SKLIM01	2006/03/10			CUSTOMER			
			3 PLACES	±	±	CHK'D BY		DATE		GENERAL MARKET			
			2 PLACES	±	0.2	PATEY	2006/03/20			PRODUCT CUSTOMER DRAWING			
			1 PLACES	±	±	APPR BY		DATE		SERIES	MATERIAL NUMBER		
			0 PLACES	±	±	MLONG	2010/01/14			87937	SEE TABLE		
			ANGULAR TOL = 3.0			DRAWING SIZE	THIRD ANGLE PROJECTION			DOCUMENT NUMBER		DOC TYPE	DOC PART
			DRAFT WHERE APPLICABLE MUST REMAIN WITHIN DIMENSIONS			A3				SD-87937-007		PSD	000
										SHEET NUMBER		1 OF 2	

PART NUMBERS	CKT SIZE	VOID POSITION	DIMENSION							PLATING OPTION	PACKAGING TYPE	PACKAGING SPECIFICATION
			A	B	MATING END M	STACKER HEIGHT H	SOLDER TAIL (P)	(F)	WITH CAP (G)			
		----										
879370202	2	----	5.08	2.54	3.50	25.00	3.50	32.00	----	5	TRAY PACKED PK-89990-489	
879370203	2	----	5.08	2.54	2.45	15.60	2.45	20.50	----	5	BULK PACKED PK-89990-491	
879370302	3	----	7.62	5.08	11.70	8.50	11.70	31.90	----	5	TRAY PACKED PK-89990-489	
879370306	3	----	7.62	5.08	10.50	20.80	3.00	34.30	35.50	3	TUBE PACKED PK-89990-***	
		----							----			
879370602	6	----	15.24	12.70	3.00	8.90	3.00	14.90	----	5	TRAY PACKED PK-89990-489	
879370800	8	----	20.32	17.78	9.00	12.00	3.00	24.00	----	5	TRAY PACKED PK-89990-489	
		----							----			
879371000	10	----	25.40	22.86	8.15	25.00	3.05	36.20	----	3	TRAY PACKED PK-89990-489	
879371600	16	----	40.64	38.10	12.70	17.63	5.99	36.32	----	3	BULK PACKED PK-89990-491	
879371601	16	----	40.64	38.10	11.94	19.05	2.79	33.78	----	3	BULK PACKED PK-89990-491	
879371602	16	----	40.64	38.10	2.14	8.70	2.16	13.00	----	5	BULK PACKED PK-89990-491	



THIS DRAWING CONTAINS INFORMATION THAT IS PROPRIETARY TO MOLEX ELECTRONIC TECHNOLOGIES, LLC AND SHOULD NOT BE USED WITHOUT WRITTEN PERMISSION											
<b>QUALITY SYMBOLS</b> 	MIGRATED TO NX		2017/01/30		2017/03/15		GENERAL TOLERANCES (UNLESS SPECIFIED)		DIMENSION UNITS		SCALE
							MM INCH		MM NTS		
							4 PLACES ± ±		DRWN BY SKLIM01		DATE 2006/03/10
							3 PLACES ± ±		CHK'D BY PATEY		DATE 2006/03/20
							2 PLACES ± 0.2 ±		APPR BY MLONG		DATE 2010/01/14
							1 PLACES ± ±		DRAWING SIZE A3		THIRD ANGLE PROJECTION
							0 PLACES ± ±		ANGULAR TOL = 3.0		
							DRAFT WHERE APPLICABLE MUST REMAIN WITHIN DIMENSIONS				

RELEASE STATUS	RELEASE DATE

SERIES	MATERIAL NUMBER	CUSTOMER
87937	SEE TABLE	GENERAL MARKET

DOCUMENT NUMBER	DOC TYPE	DOC PART	SHEET NUMBER
SD-87937-007	PSD	000	2 OF 2