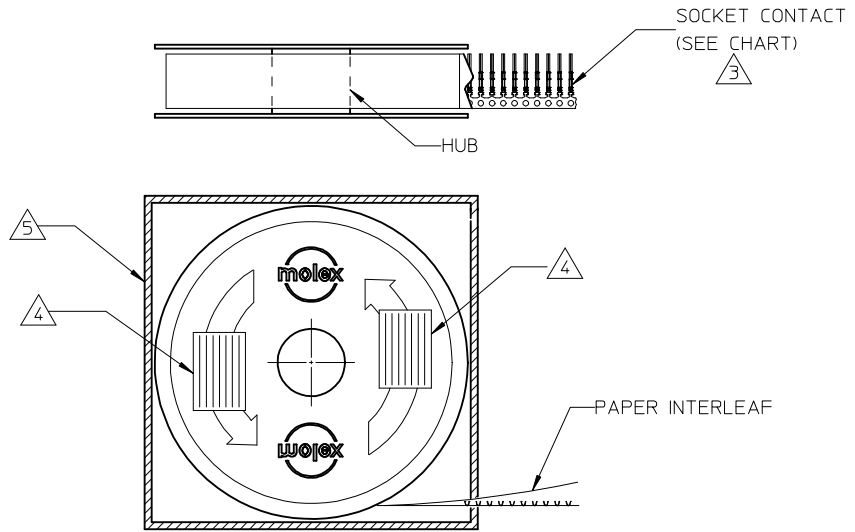


10	9	8	7	6	5	4	3	2	1
MATERIAL NUMBER	ENGINEERING NUMBER	DESCRIPTION	FINISH	A	D				
830009502	83000-9502	(M) 5K PER REEL	$\triangle 1$ $\triangle 2$						
830009503	83000-9503	50.0 K PER REEL	$\triangle 1$ $\triangle 2$.456/(11.58)	.278/(7.06)				
830000083	83000-0083	LOOSE PIECE TERMINAL	$\triangle 1$ $\triangle 2$	(SEE SHT 2)	(SEE SHT 2)				
830009547	83000-9547	(M) 5K PER REEL	$\triangle 1$ $\triangle 2$						
830009548	83000-9548	50.0 K PER REEL	$\triangle 1$ $\triangle 2$.426/(10.82)	.248/(6.30)				
830000106	83000-0106	LOOSE PIECE TERMINAL	$\triangle 1$ $\triangle 2$	(SEE SHT 2)	(SEE SHT 2)				

NOTES:

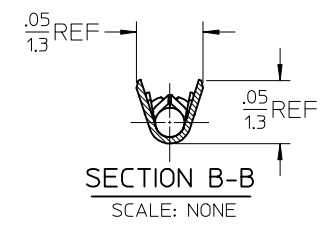
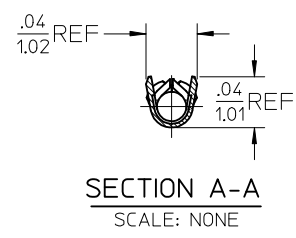
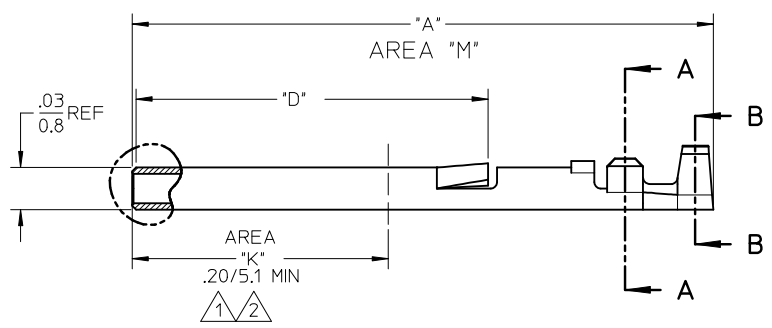
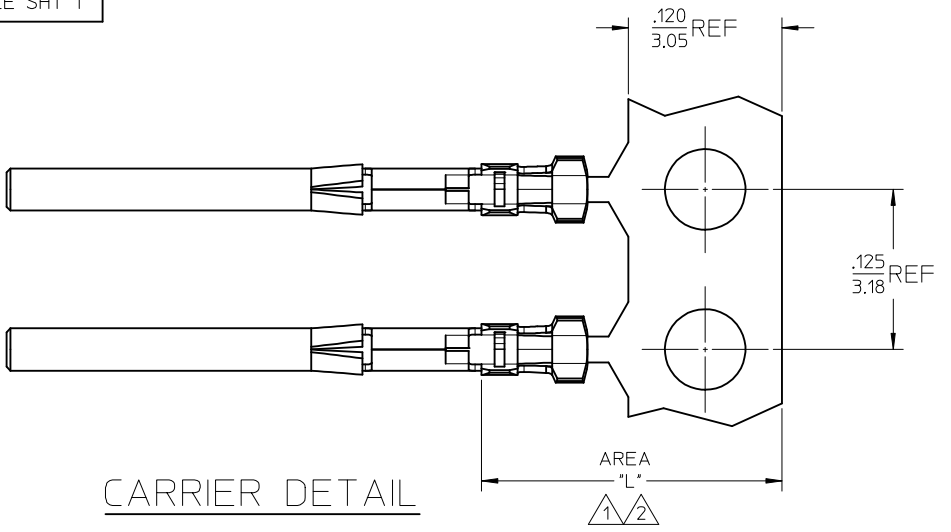
- $\triangle 1$ FINISH, PREPLATED:
NICKEL PLATING, 50MN/1.3 μ m THICKNESS OVERALL
(AREA 'M' ON SHEET 2) PER QQ-N-290, CLASS 1, FOLLOWED BY 30MN/0.8 μ m MIN
GOLD PER PER MIL-G-45204, TYPE II, GRADE C, IN AREA 'K' ON SHEET 2.
- $\triangle 2$ FINISH: SELECTIVE TIN AND REGULAR SELECTIVE GOLD:
PLATE 5-10MN/0.13-0.25 μ m MIN GOLD PER MIL-G-45204, TYPE II, GRADE C,
IN AREA 'K' ON SHEET 2, FOLLOWED BY 50MN/1.3 μ m TIN PER
MIL-T-10727 TYPE I IN AREA 'L' ON SHEET 2.
- $\triangle 3$ CONTACT TO BE ORIENTATED AS SHOWN.
- $\triangle 4$ IDENTIFICATION LABELS (2).(REEL).
- $\triangle 5$ IDENTIFICATION LABEL.(SHIPPING BOX)



SALES DRAWING

REVISE QTY TO 5K EC NO: IFG2013-0888 DRWN: BRUPERT CHKD: APPR: JFMURPHY 2013/02/14 2013/03/04	QUALITY SYMBOLS	GENERAL TOLERANCES (UNLESS SPECIFIED)	DIMENSION STYLE	SCALE	DESIGN UNITS	THIRD ANGLE PROJECTION	
	$\nabla = 0$ $\triangle C = 0$	mm INCH	IN/MM	10:1	INCH		
		4 PLACES \pm --- \pm ---	DRAWN BY BRE	DATE 02/01/22	TITLE CONTACT, SOCKET COMM. MICRO-D		
		3 PLACES \pm --- \pm ---	CHECKED BY HEB	DATE 02/01/22	MOLEX INCORPORATED DOCUMENT NO. SD-83000-002 SHEET NO. 1 OF 2		
	2 PLACES \pm --- \pm ---	APPROVED BY JFMURPHY	DATE 2010/11/17				
	1 PLACE \pm --- \pm ---	ANGULAR \pm --- °	MATERIAL NO.	SEE CHART			
		DRAFT WHERE APPLICABLE MUST REMAIN WITHIN DIMENSIONS	SIZE A3	THIS DRAWING CONTAINS INFORMATION THAT IS PROPRIETARY TO MOLEX INCORPORATED AND SHOULD NOT BE USED WITHOUT WRITTEN PERMISSION			

MATERIAL NUMBER	ENGINEERING NUMBER
SEE SHT 1	SEE SHT 1



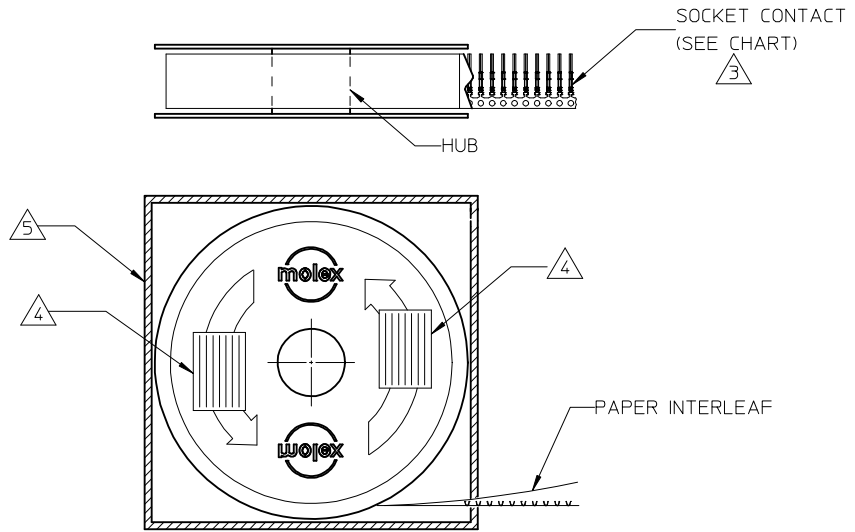
SALES DRAWING

REDRAWN EC NO: IFG2013-0888 DRWN:BRUPERT 2013/02/14 CHKD: APPR: JFMURPHY 2013/03/04 M	QUALITY SYMBOLS ▽=0 C=0	GENERAL TOLERANCES (UNLESS SPECIFIED)		DIMENSION STYLE IN/MM		SCALE 10:1	DESIGN UNITS INCH	THIRD ANGLE PROJECTION		
		4 PLACES	± ---	± ---	DRAWN BY	DATE	CONTACT, SOCKET COMM. MICRO-D			
		3 PLACES	± ---	± ---	BRE	02/01/22				
		2 PLACES	± ---	± ---	CHECKED BY	DATE	MOLEX INCORPORATED			
1 PLACE	± ---	± ---	HEB	02/01/22						
ANGULAR ± ---°		DRAFT WHERE APPLICABLE MUST REMAIN WITHIN DIMENSIONS		APPROVED BY JFMURPHY 2010/11/17		MATERIAL NO. SEE CHART		DOCUMENT NO. SD-83000-002		
				SIZE A3	THIS DRAWING CONTAINS INFORMATION THAT IS PROPRIETARY TO MOLEX INCORPORATED AND SHOULD NOT BE USED WITHOUT WRITTEN PERMISSION					

10	9	8	7	6	5	4	3	2	1
MATERIAL NUMBER	ENGINEERING NUMBER	DESCRIPTION	FINISH	A	D				
830009502	83000-9502	(M) 5K PER REEL	$\triangle 1$ $\triangle 2$						
830009503	83000-9503	50.0 K PER REEL	$\triangle 1$ $\triangle 2$.456/(11.58)	.278/(7.06)				
830000083	83000-0083	LOOSE PIECE TERMINAL	$\triangle 1$ $\triangle 2$	(SEE SHT 2)	(SEE SHT 2)				
830009547	83000-9547	(M) 5K PER REEL	$\triangle 1$ $\triangle 2$						
830009548	83000-9548	50.0 K PER REEL	$\triangle 1$ $\triangle 2$.426/(10.82)	.248/(6.30)				
830000106	83000-0106	LOOSE PIECE TERMINAL	$\triangle 1$ $\triangle 2$	(SEE SHT 2)	(SEE SHT 2)				

NOTES:

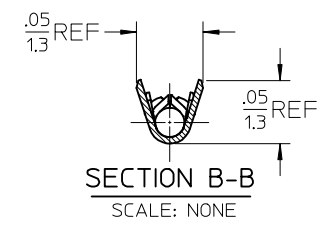
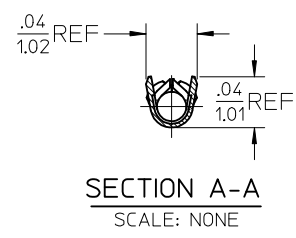
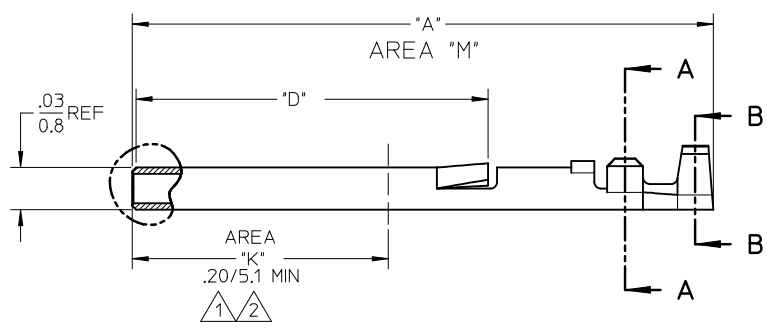
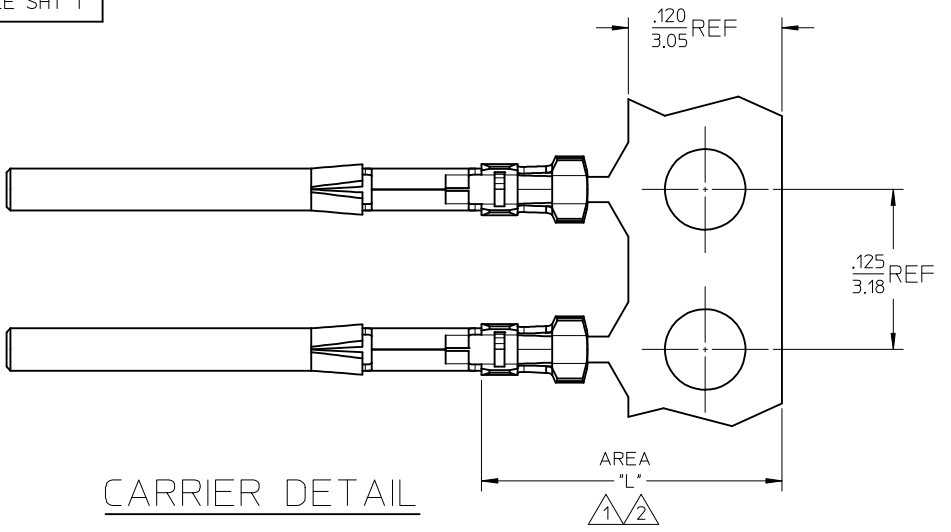
- $\triangle 1$ FINISH, PREPLATED:
NICKEL PLATING, 50MN/1.3 μ m THICKNESS OVERALL
(AREA 'M' ON SHEET 2) PER QQ-N-290, CLASS 1, FOLLOWED BY 30MN/0.8 μ m MIN
GOLD PER PER MIL-G-45204, TYPE II, GRADE C, IN AREA 'K' ON SHEET 2.
- $\triangle 2$ FINISH: SELECTIVE TIN AND REGULAR SELECTIVE GOLD:
PLATE 5-10MN/0.13-0.25 μ m MIN GOLD PER MIL-G-45204, TYPE II, GRADE C,
IN AREA 'K' ON SHEET 2, FOLLOWED BY 50MN/1.3 μ m TIN PER
MIL-T-10727 TYPE I IN AREA 'L' ON SHEET 2.
- $\triangle 3$ CONTACT TO BE ORIENTATED AS SHOWN.
- $\triangle 4$ IDENTIFICATION LABELS (2).(REEL).
- $\triangle 5$ IDENTIFICATION LABEL.(SHIPPING BOX)



SALES DRAWING

REVISE QTY TO 5K EC NO: IPG2013-0888 DRWN: BRUPERT CHKD: APPR: JFMURPHY 2013/02/14 2013/03/04	QUALITY SYMBOLS	GENERAL TOLERANCES (UNLESS SPECIFIED)	DIMENSION STYLE	SCALE	DESIGN UNITS	THIRD ANGLE PROJECTION	
	$\nabla = 0$ $\triangle C = 0$	mm INCH	IN/MM	10:1	INCH		
		4 PLACES \pm --- \pm --- 3 PLACES \pm --- \pm --- 2 PLACES \pm --- \pm --- 1 PLACE \pm --- \pm ---	DRAWN BY BRE DATE 02/01/22 CHECKED BY HEB DATE 02/01/22 APPROVED BY JFMURPHY DATE 2010/11/17	TITLE	CONTACT, SOCKET COMM. MICRO-D		
		ANGULAR \pm --- °	MATERIAL NO. SEE CHART	molex MOLEX INCORPORATED			
	DRAFT WHERE APPLICABLE MUST REMAIN WITHIN DIMENSIONS	SIZE A3	THIS DRAWING CONTAINS INFORMATION THAT IS PROPRIETARY TO MOLEX INCORPORATED AND SHOULD NOT BE USED WITHOUT WRITTEN PERMISSION		DOCUMENT NO. SD-83000-002	SHEET NO. 1 OF 2	

MATERIAL NUMBER	ENGINEERING NUMBER
SEE SHT 1	SEE SHT 1



SALES DRAWING

REDRAWN EC NO: IFG2013-0888 DRWN: BRUPERT 2013/02/14 CHKD: APPR: JFMURPHY 2013/03/04 M	QUALITY SYMBOLS ▽=0 C=0	GENERAL TOLERANCES (UNLESS SPECIFIED)		DIMENSION STYLE IN/MM		SCALE 10:1	DESIGN UNITS INCH	THIRD ANGLE PROJECTION	
		4 PLACES ± --- ± ---	mm INCH	DRAWN BY BRE	DATE 02/01/22	TITLE CONTACT, SOCKET COMM. MICRO-D			
		3 PLACES ± --- ± ---		CHECKED BY HEB	DATE 02/01/22	MOLEX INCORPORATED			
		2 PLACES ± --- ± ---		APPROVED BY JFMURPHY	DATE 2010/11/17	MATERIAL NO. SEE CHART	DOCUMENT NO. SD-83000-002	SHEET NO. 2 OF 2	
		1 PLACE ± --- ± ---		ANGULAR ± ---°		THIS DRAWING CONTAINS INFORMATION THAT IS PROPRIETARY TO MOLEX INCORPORATED AND SHOULD NOT BE USED WITHOUT WRITTEN PERMISSION			
DRAFT WHERE APPLICABLE MUST REMAIN WITHIN DIMENSIONS									