

828801-1 ✓ ACTIVE



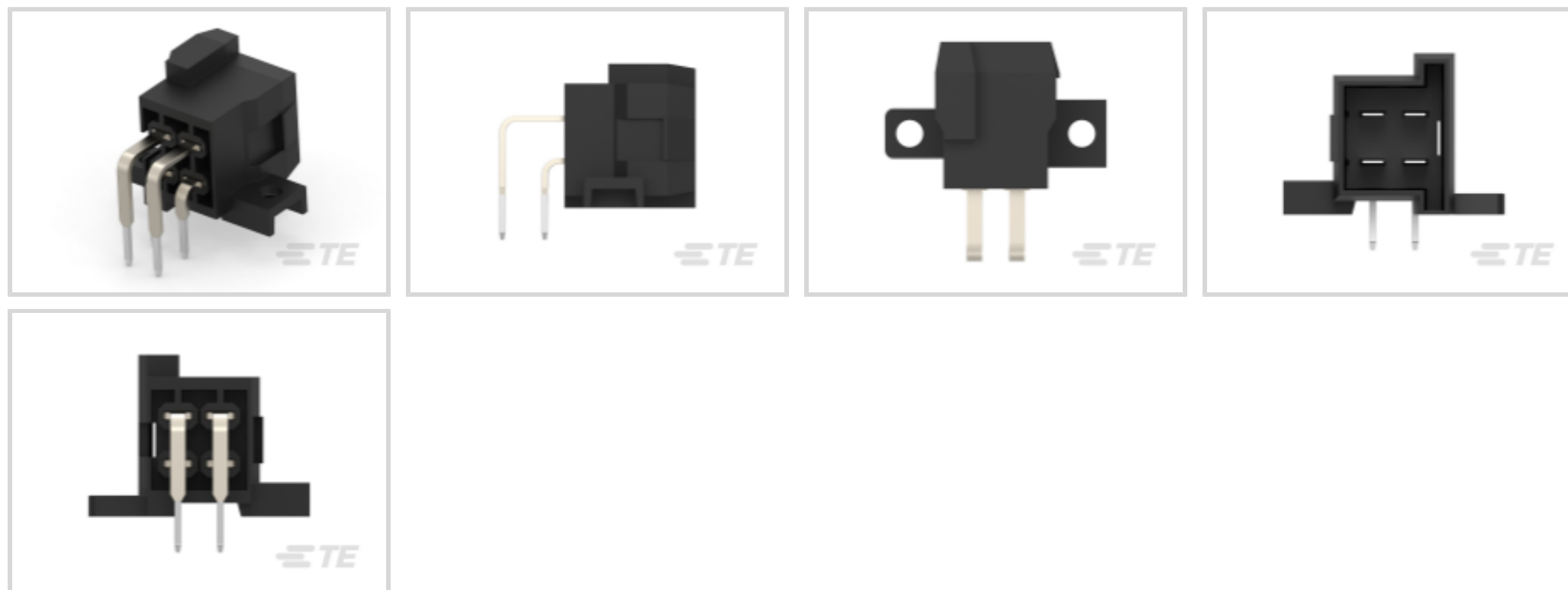
Timer Connector System

TE Internal #: 828801-1

PCB Mount Header, Horizontal, Wire-to-Board, 4 Position, .22 in [5.6 mm] Centerline, Fully Shrouded, Tin (Sn), Timer Connector System

[View on TE.com >](#)

Connectors > PCB Connectors > PCB Headers & Receptacles > LOW & MEDIUM POWER HEADER



Connector System: **Wire-to-Board**

Number of Positions: **4**

Centerline (Pitch): **5.6 mm [.22 in]**

Sealable: **No**

PCB Mount Orientation: **Horizontal**

[All LOW & MEDIUM POWER HEADER \(153\)](#)

Features

Product Type Features

| | |
|-----------------------------------|-----------------------|
| Hybrid Header | No |
| Connector & Housing Shape | Rectangular |
| PCB Connector Assembly Type | PCB Mount Header |
| Header Type | Fully Shrouded |
| Connector System | Wire-to-Board |
| Sealable | No |
| Connector & Contact Terminates To | Printed Circuit Board |

Configuration Features

| | |
|-----------------------|------------|
| Number of Sections | 1 |
| Number of Positions | 4 |
| PCB Mount Orientation | Horizontal |
| Number of Rows | 2 |



Body Features

| | |
|-----------------------|-------|
| Primary Product Color | Black |
|-----------------------|-------|

Contact Features

| | |
|--------------------------------------|----------------|
| Contact Size | 3mm |
| Contact Type | Tab |
| Mating Tab Width | 3 mm[.118 in] |
| Mating Tab Thickness | .8 mm[.031 in] |
| Contact Mating Area Plating Material | Tin (Sn) |

Termination Features

| | |
|---|-----------------------|
| Termination Method to Printed Circuit Board | Through Hole - Solder |
|---|-----------------------|

Mechanical Attachment

| | |
|-----------------------|-------------------|
| Mounting Holes | With |
| Mating Retention | With |
| Mating Alignment | With |
| PCB Mount Alignment | Without |
| PCB Mount Retention | With |
| Mating Retention Type | Locking Interface |

Housing Features

| | |
|--------------------|----------------|
| Centerline (Pitch) | 5.6 mm[.22 in] |
|--------------------|----------------|

Dimensions

| | |
|-------------------------|-------------------|
| Connector Length | 26.1 mm[1.358 in] |
| Connector Width | 25.9 mm[1.02 in] |
| Profile Height from PCB | 19 mm[.748 in] |

Operation/Application

| | |
|---------------------|--------|
| Shielded | No |
| Circuit Application | Signal |

Packaging Features

| | |
|--------------------|-----|
| Packaging Quantity | 735 |
|--------------------|-----|

Other

| | |
|------------------|--------|
| Interface Number | 929504 |
|------------------|--------|

Product Compliance

[For compliance documentation, visit the product page on TE.com>](#)

| | |
|---|--|
| EU RoHS Directive 2011/65/EU | Compliant |
| EU ELV Directive 2000/53/EC | Compliant |
| China RoHS 2 Directive MIIT Order No 32, 2016 | No Restricted Materials Above Threshold |
| EU REACH Regulation (EC) No. 1907/2006 | Current ECHA Candidate List: JUNE 2022 (224) Candidate List Declared Against: JAN 2022 (223) SVHC > Threshold: Not Yet Reviewed |
| Halogen Content | Low Halogen - Br, Cl, F, I < 900 ppm per homogenous material. Also BFR/CFR/PVC Free |
| Solder Process Capability | Wave solder capable to 260°C |

Product Compliance Disclaimer

This information is provided based on reasonable inquiry of our suppliers and represents our current actual knowledge based on the information they provided. This information is subject to change. The part numbers that TE has identified as EU RoHS compliant have a maximum concentration of 0.1% by weight in homogenous materials for lead, hexavalent chromium, mercury, PBB, PBDE, DBP, BBP, DEHP, DIBP, and 0.01% for cadmium, or qualify for an exemption to these limits as defined in the Annexes of Directive 2011/65/EU (RoHS2). Finished electrical and electronic equipment products will be CE marked as required by Directive 2011/65/EU. Components may not be CE marked. Additionally, the part numbers that TE has identified as EU ELV compliant have a maximum concentration of 0.1% by weight in homogenous materials for lead, hexavalent chromium, and mercury, and 0.01% for cadmium, or qualify for an exemption to these limits as defined in the Annexes of Directive 2000/53/EC (ELV). Regarding the REACH Regulation, the information TE provides on SVHC in articles for this part number is based on the latest European Chemicals Agency (ECHA) 'Guidance on requirements for substances in articles' posted at this URL: <https://echa.europa.eu/guidance-documents/guidance-on-reach>

Compatible Parts



TE Part # CAT-T4827-CH8172
TIMER, CONNECTOR HOUSING

Also in the Series | [Timer Connector System](#)



Automotive Connector Caps & Covers (11)



Automotive Connector Locks & Position Assurance(16)



Automotive Housings(219)



Automotive Seals & Cavity Plugs(31)



Automotive Terminals(138)



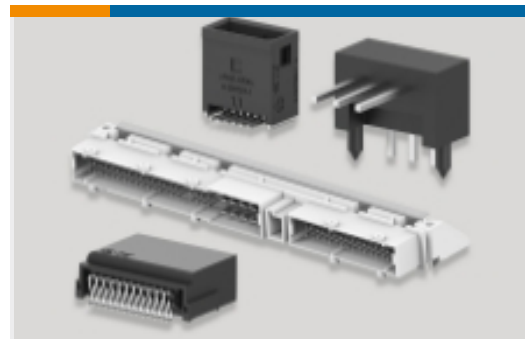
Crimp Terminal Housings(13)



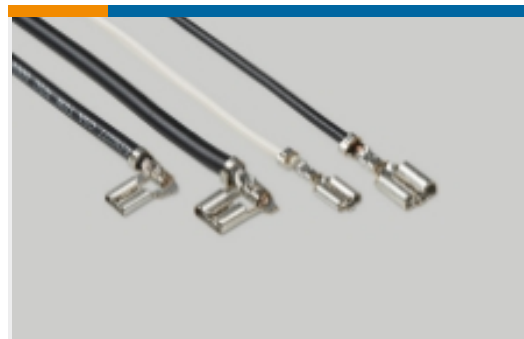
Insertion & Extraction Tools(20)



Other Automotive Connector Accessories(1)

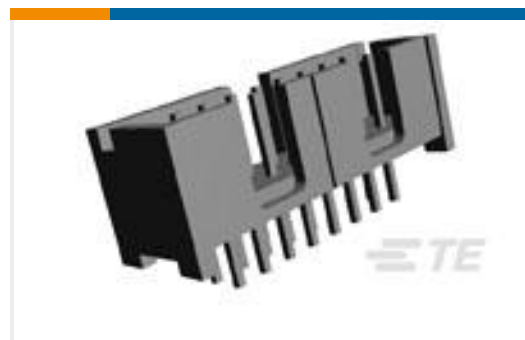


PCB Headers & Receptacles(78)



Quick Disconnects(4)

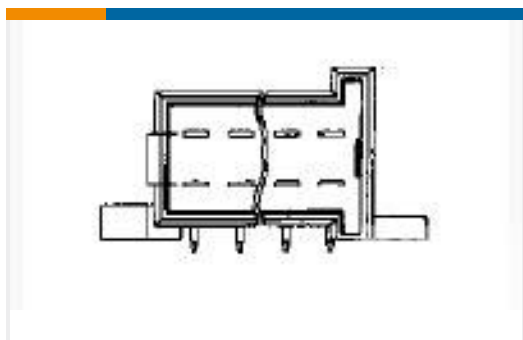
Customers Also Bought



TE Part #103308-5
020 LOPRO HDR SP 15DP



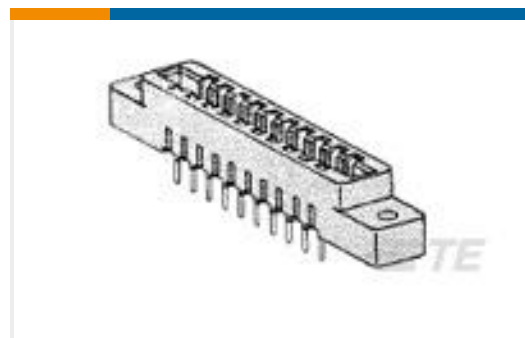
TE Part #G-TPCO-033
Analog Thermopile TO-05, FOV 88, NTC Ref



TE Part #828801-3
2X 4P MESSERLEI 3,0



TE Part #1-5164713-3
13P.MINI-MATCH ASSY



TE Part #2-530655-1
CONN LOW PRO 6 POS 156X200C/L



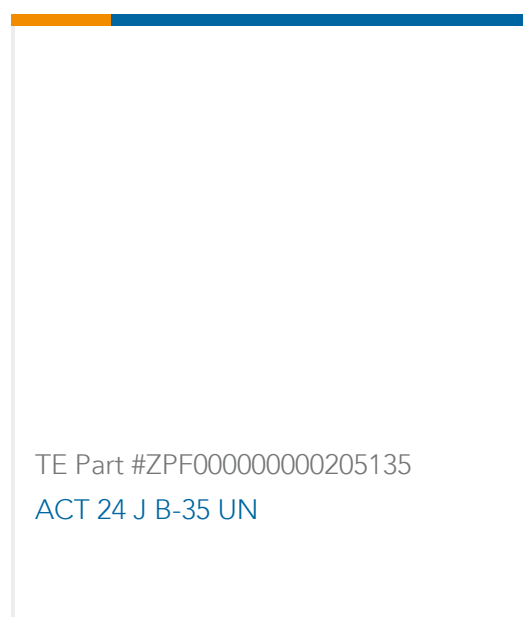
TE Part #10213286-00
TSD305-1SL10 Digital Thermopile Sensor



TE Part #1474569-1
S20P2A-I2



TE Part #1-1393204-4
V23148-B0010-A101



Documents

Product Drawings

[2X 2P MESSERLEI 3,0](#)

English

CAD Files

Customer View Model

[ENG_CVM_CVM_828801-1_E.2d_dxf.zip](#)

English

[3D PDF](#)

3D

Customer View Model

[ENG_CVM_CVM_828801-1_E.3d_igs.zip](#)

English

Customer View Model

[ENG_CVM_CVM_828801-1_E.3d_stp.zip](#)

English

By downloading the CAD file I accept and agree to the [Terms and Conditions](#) of use.

Product Specifications

[Product Specification](#)

English