

THIS DRAWING IS UNPUBLISHED.

RELEASED FOR PUBLICATION

,19

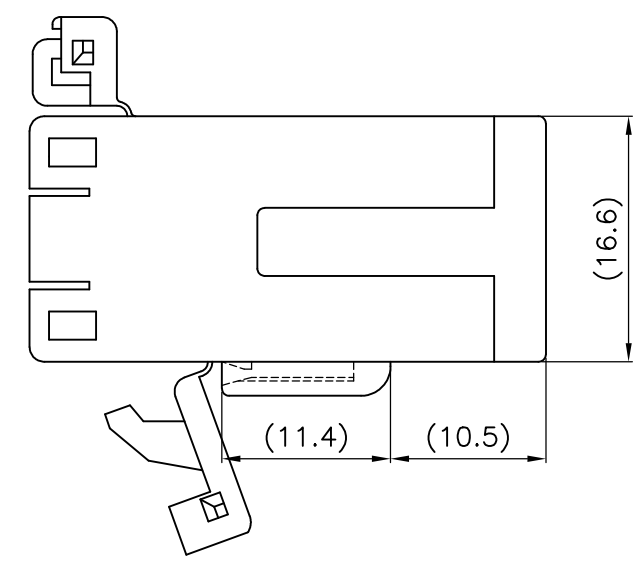
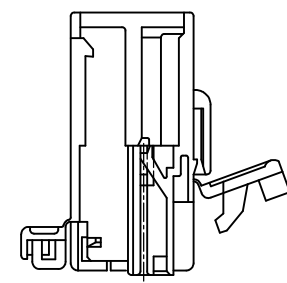
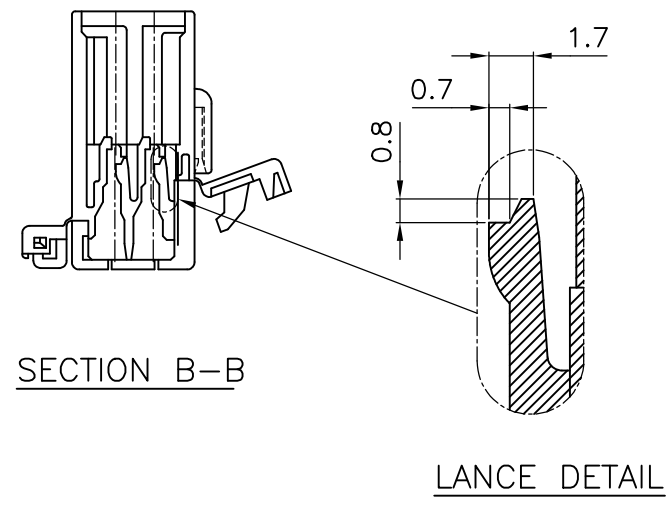
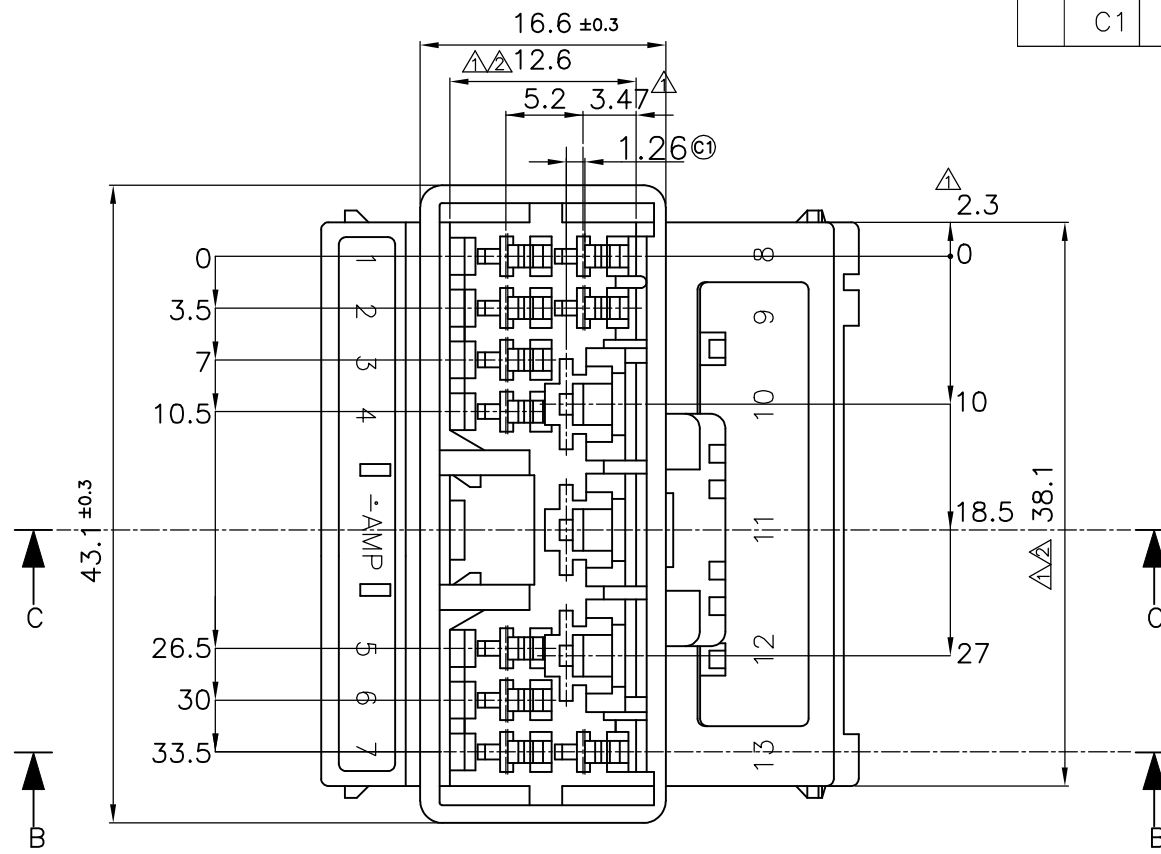
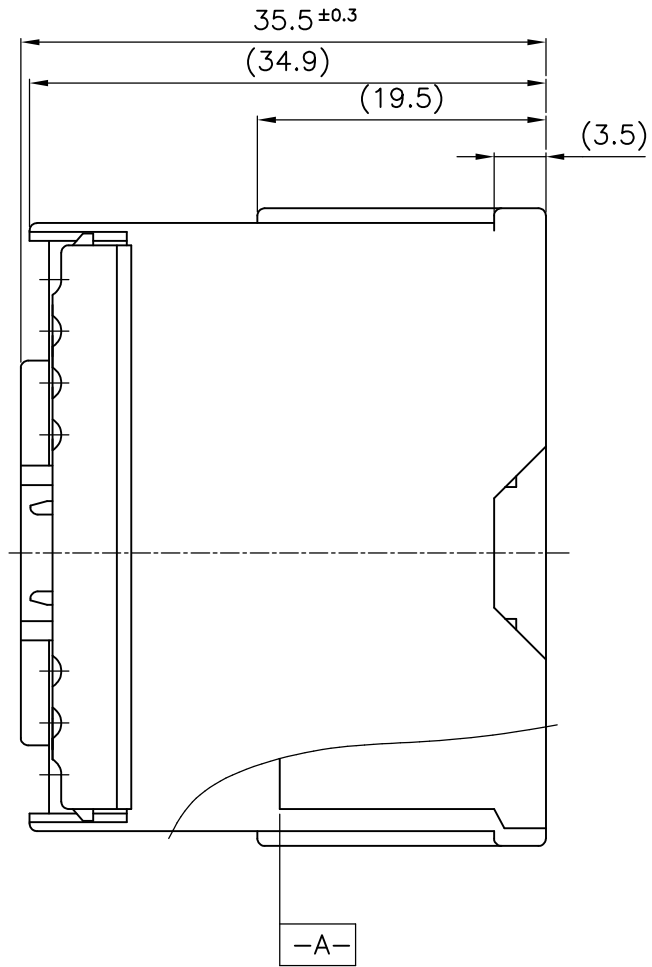
LOC DS

DIST

REVISIONS

© COPYRIGHT 19 BY AMP INCORPORATED. ALL RIGHTS RESERVED.

P	LTR	DESCRIPTION	DATE	DWN	APVD
	A	REVISED(FC00-0058-98)	13/AUG/'98	HS	CS
	B	REVISED(RD01-068)	23/JUN/'01	MS	CS
	C	REVISED(FC00-0063-03)	09/MAY/'03	YD	CS
	C1	REVISED(ECR-18-015570)	20/SEP/'18	TY	YJ



- NOTE
- ① MUST BE KEPT BETWEEN -A- AND 2.
 - ② TO BE MATED WITH REC HSG SMOOTHLY
 - 3. APPLIED TAB CONTACT PART NUMBERS
 - . 070 SERIES : 173633, 173645
 - . 250 SERIES : 170340, 170341, 170349
 - 4. APPLIED PLUG HSG P/N; 85111
 - ⓐ ⑤ THESE ARE FOR LOCAL CUSTOMER WITH POLY BAG/MID BOX/OUT BOX.
 - ⓐ ⑥ THIS IS FOR EXPORT WITH TRAY/OUT BOX.

P/N	MATERIAL	COLOR	PACKING
1-85112-2	P.B.T	BLACK	ⓐ
85112-5	P.B.T	BLUE	ⓐ
85112-4	P.B.T	GREEN	ⓐ
85112-2	P.B.T	BLACK	ⓐ
85112-1	P.B.T	WHITE	ⓐ

THIS DRAWING IS A CONTROLLED DOCUMENT FOR AMP INCORPORATED. IT IS SUBJECT TO CHANGE AND THE CONTROLLING ENGINEERING ORGANIZATION SHOULD BE CONTACTED FOR THE LATEST REVISION.		DWN YD. LEE	AMP AMP KOREA. kyungsan, korea	
DIMENSIONS: MM		CHK BM JANG		
TOLERANCES UNLESS OTHERWISE SPECIFIED: 0<XX<10 ±0.2 10<XX<30 ±0.25 30<XX ±0.3 ANGLES ±3°		APVD CS LEE	NAME .070/.250 HYBRID 13P CAP HSG	
3rd ANGLE PROJECTION		PRODUCT SPEC	SIZE A3	
MATERIAL SEE TABLE		APPLICATION SPEC	CAGE CODE 00779	DRAWING NO 8 5 1 1 2
FINISH		WEIGHT	SCALE 2/1 SHEET 1 OF 1 REV C1	