

87179-1 ✓ ACTIVE

AMPMODU | AMPMODU LOCKING CLIP

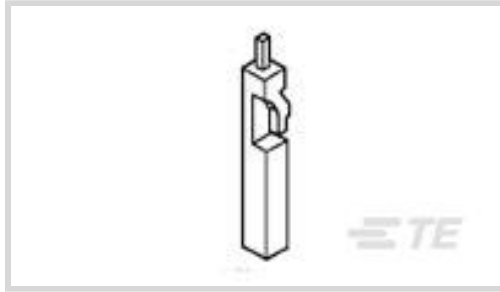
TE Internal #: 87179-1

PCB Connector Keying, Keying Plug, External Key, -65 – 105 °C [-85 – 221 °F], AMPMODU LOCKING CLIP

[View on TE.com >](#)



Connectors > PCB Connectors > PCB Connector Accessories > PCB Connector Keying



Connector Keying Accessory Type: **Keying Plug**

Keying Hardware Type: **External Key**

Sealable: **No**

Operating Temperature Range: **-65 – 105 °C [-85 – 221 °F]**

Features

Product Type Features

Connector Keying Accessory Type	Keying Plug
Sealable	No

Body Features

Keying Hardware Type	External Key
----------------------	--------------

Usage Conditions

Operating Temperature Range	-65 – 105 °C[-85 – 221 °F]
-----------------------------	----------------------------

Industry Standards

UL Flammability Rating	UL 94V-0
------------------------	----------

Packaging Features

Packaging Method	Bag
Packaging Quantity	2000

Product Compliance

[For compliance documentation, visit the product page on TE.com>](#)

EU RoHS Directive 2011/65/EU	Compliant
EU ELV Directive 2000/53/EC	Compliant
China RoHS 2 Directive MIIT Order No 32, 2016	No Restricted Materials Above Threshold
EU REACH Regulation (EC) No. 1907/2006	Current ECHA Candidate List: JUNE 2022 (224)



Candidate List Declared Against: JAN 2022
(223)
SVHC > Threshold:
Not Yet Reviewed

Halogen Content

Low Halogen - Br, Cl, F, I < 900 ppm per
homogenous material. Also BFR/CFR/PVC
Free

Solder Process Capability

Not applicable for solder process capability

Product Compliance Disclaimer

This information is provided based on reasonable inquiry of our suppliers and represents our current actual knowledge based on the information they provided. This information is subject to change. The part numbers that TE has identified as EU RoHS compliant have a maximum concentration of 0.1% by weight in homogenous materials for lead, hexavalent chromium, mercury, PBB, PBDE, DBP, BBP, DEHP, DIBP, and 0.01% for cadmium, or qualify for an exemption to these limits as defined in the Annexes of Directive 2011/65/EU (RoHS2). Finished electrical and electronic equipment products will be CE marked as required by Directive 2011/65/EU. Components may not be CE marked. Additionally, the part numbers that TE has identified as EU ELV compliant have a maximum concentration of 0.1% by weight in homogenous materials for lead, hexavalent chromium, and mercury, and 0.01% for cadmium, or qualify for an exemption to these limits as defined in the Annexes of Directive 2000/53/EC (ELV). Regarding the REACH Regulation, the information TE provides on SVHC in articles for this part number is based on the latest European Chemicals Agency (ECHA) 'Guidance on requirements for substances in articles' posted at this URL: <https://echa.europa.eu/guidance-documents/guidance-on-reach>

Compatible Parts



TE Part # 87133-1
04 LOCKING CLIP HSG DR .100CL



TE Part # 1-87175-0
04 LOCKING CLIP HSG SR .100CL



TE Part # 1-87175-7
08 LOCKING CLIP HSG SR MRKD



TE Part # 1-87175-2
05 LOCKING CLIP HSG SR .100CL



TE Part # 87133-2
10 LOCKING CLIP HSG DR .100CL



TE Part # 1-87133-1
12 LOCKING CLIP HSG DR .100CL





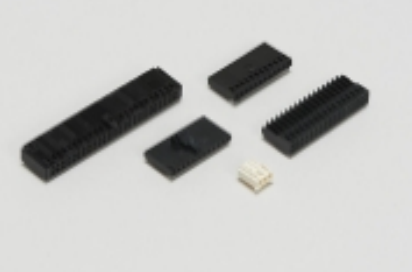

TE Part # 1-87175-3
06 LOCKING CLIP HSG SR MRKD




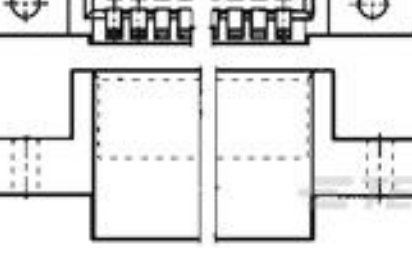
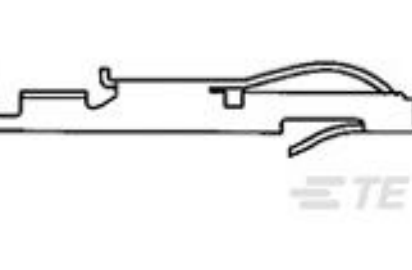
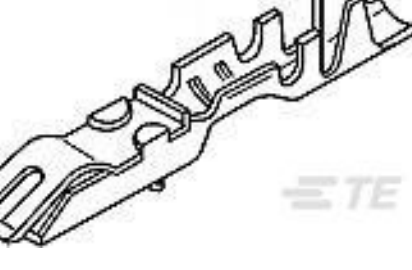
TE Part # 1-87175-4
06 LOCKING CLIP HSG SR .100CL

 <p>TE Part # 1-87175-6 07 LOCKING CLIP HSG SR .100CL</p>	 <p>TE Part # 1-87175-8 08 LOCKING CLIP HSG SR .100CL</p>	 <p>TE Part # 2-87175-2 10 LOCKING CLIP HSG SR .100CL</p>	 <p>TE Part # 2-87175-8 13 LOCKING CLIP HSG SR .100CL</p>
 <p>TE Part # 3-87175-0 14 LOCKING CLIP HSG SR .100CL</p>	 <p>TE Part # 87133-5 10 LOCKING CLIP HSG DR MRKD</p>	 <p>TE Part # 87175-6 02 LOCKING CLIP HSG SR .100CL</p>	 <p>TE Part # 87133-7 06 LOCKING CLIP HSG DR .100CL</p>
 <p>TE Part # 87133-6 20 LOCKING CLIP HSG DR MRKD</p>	 <p>TE Part # 87133-3 20 LOCKING CLIP HSG DR .100CL</p>	 <p>TE Part # 87175-3 15 LOCKING CLIP HSG SR MRKD</p>	 <p>TE Part # 87175-4 15 LOCKING CLIP HSG SR .100CL</p>

Also in the Series | AMPMODU LOCKING CLIP

 <p>Insertion & Extraction Tools(4)</p>	 <p>PCB Connector Keying(1)</p>	 <p>Wire-to-Board Connector Assemblies & Housings(89)</p>	 <p>Wire-to-Board Connector Contacts(7)</p>
--	--	--	--

Customers Also Bought

 <p>TE Part #2-331677-6 SOCKET,MIN-SPR W/H AU SER-3</p>	 <p>TE Part #2-583718-7 TW-LEAF CRP HSG 32 POS 100C/L</p>	 <p>TE Part #5-583853-3 TWIN LEAF TERM. STRIP CSTL</p>	 <p>TE Part #5-87124-2 LOCKING CLIP CONT ASY .025 SQ</p>
--	--	---	---



Documents

Product Drawings

LOCKING CLIP KEYING PLUG

English

CAD Files

3D PDF

English

Customer View Model

[ENG_CVM_87179-1_D.2d_dxf.zip](#)

English

Customer View Model

[ENG_CVM_87179-1_D.3d_igs.zip](#)

English

Customer View Model

[ENG_CVM_87179-1_D.3d_stp.zip](#)

English

By downloading the CAD file I accept and agree to the [Terms and Conditions](#) of use.

Datasheets & Catalog Pages

AMP MODU INTERCONNECTION SYSTEM_SECTION5_CONT

English

Product Specifications

Application Specification

English

Product Environmental Compliance

MD_87179-1_01112012825

87179-1

PCB Connector Keying, Keying Plug, External Key, -65 – 105 °C [-85 – 221 °F],
AMPMODU LOCKING CLIP



English

[MD_87179-1_01112012825](#)

English