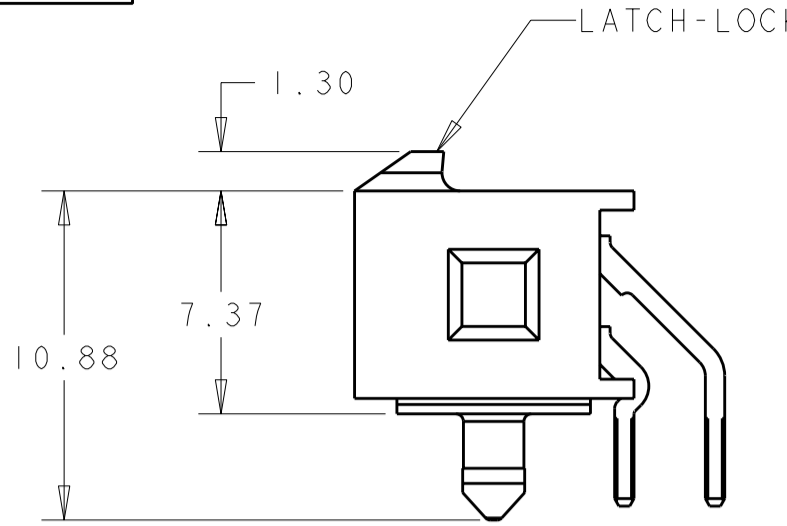
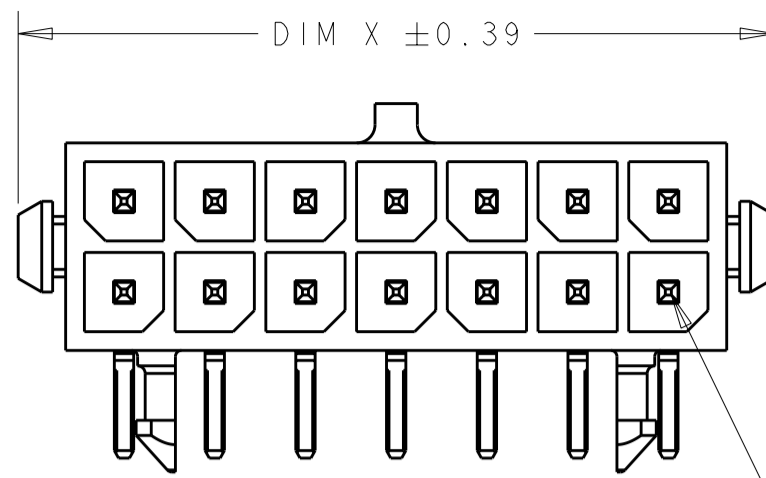


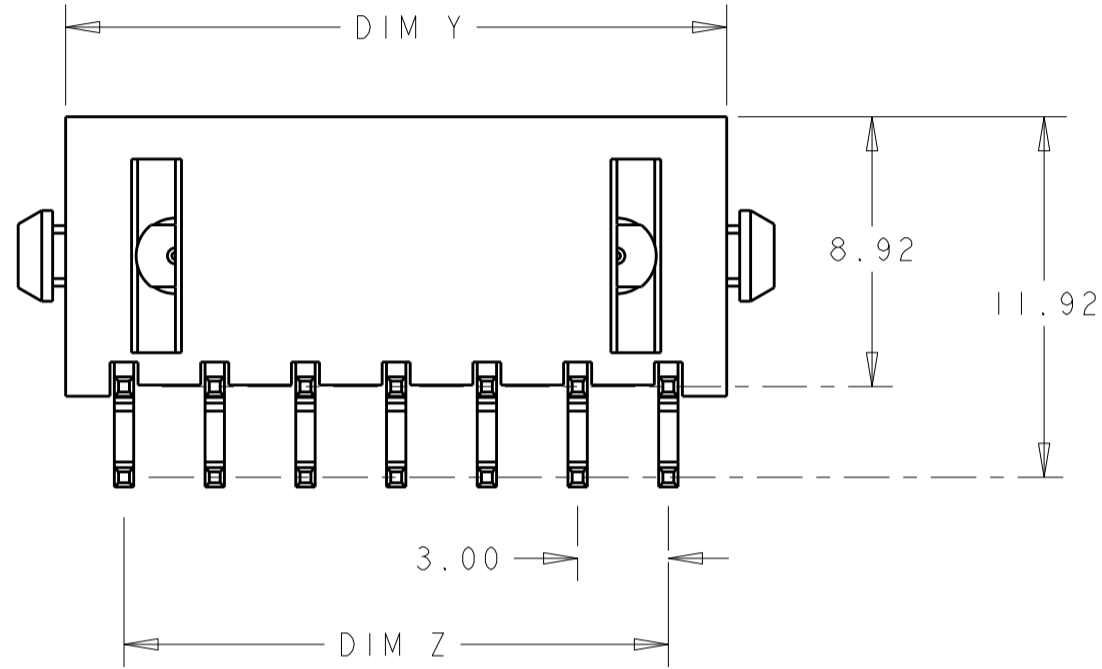
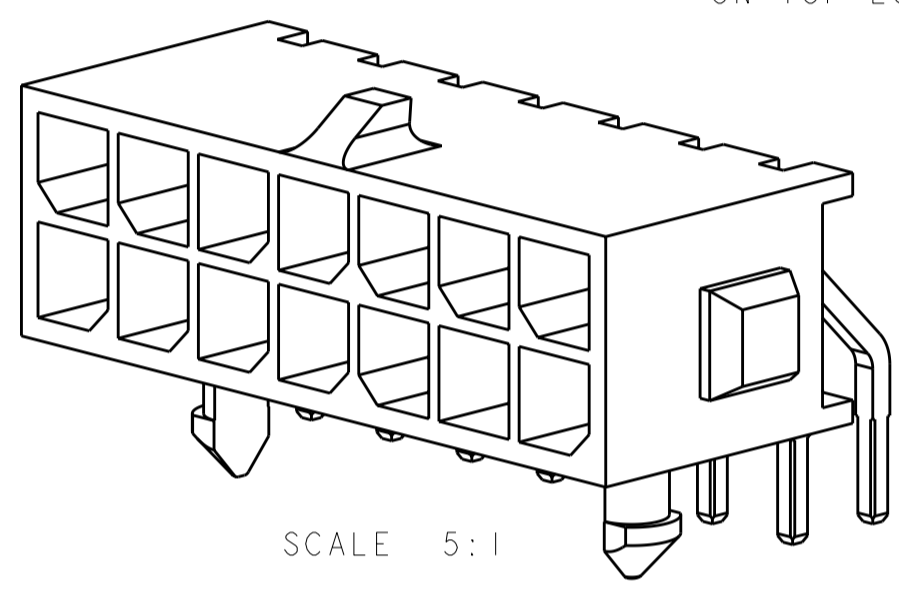
THIS DRAWING IS UNPUBLISHED. RELEASED FOR PUBLICATION 20
 © COPYRIGHT 20 BY - ALL RIGHTS RESERVED.

| LOC | DIST | REVISIONS | | | |
|-----|------|-------------|---------------------------|-----------|-------|
| P | LTR | DESCRIPTION | DATE | DWN | APVD |
| CM | 00 | F2 | REVISED PER ECR-12-008993 | 23MAY2012 | KH TM |

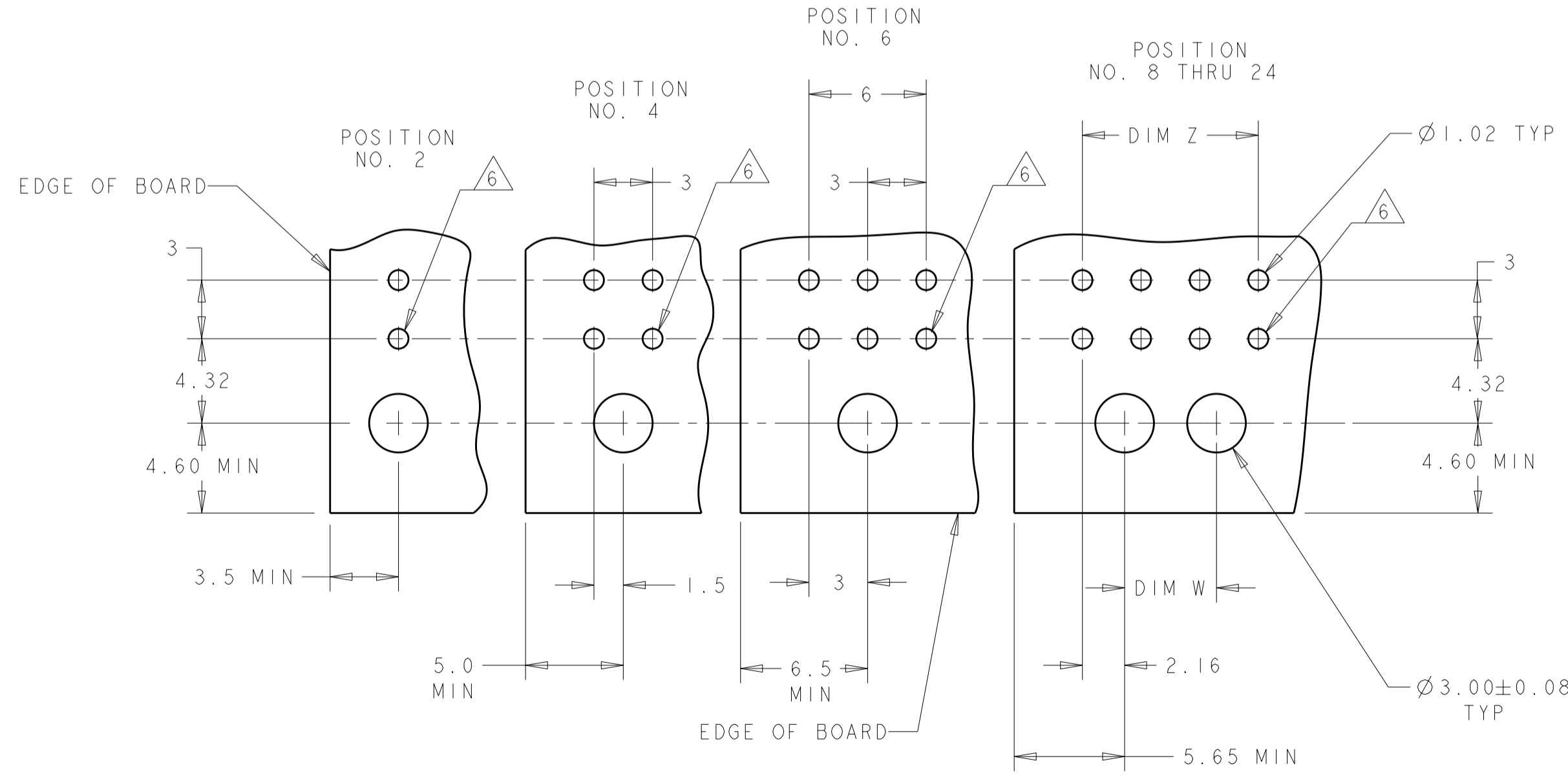


- 1 MATERIAL; CONTACTS - BRASS.
UL 94V-0 RATED HIGH TEMP NYLON, COLOR; BLACK.
- 2 PLATING; CONTACTS - 0.76µm MINIMUM GOLD OVER 2.54µm MINIMUM NICKEL ON MATING AREA.
2.54µm TIN-LEAD MINIMUM OVER 2.54µm NICKEL MINIMUM ON SOLDER TAILS.
- 4 RECOMMENDED PC BOARD THICKNESS OF 1.57.
- 5 PLATING; CONTACTS - 0.76µm MINIMUM GOLD OVER 2.54µm MINIMUM NICKEL ON MATING AREA.
2.54µm MATTE TIN MINIMUM OVER 2.54µm NICKEL MINIMUM ON SOLDER TAILS.
- 6 CIRCUIT NUMBER 1 IS LOCATED AT THE BOTTOM RIGHT WITH THE LATCH-LOCK ON TOP LOOKING INTO THE CAVITIES

UNREEL DIRECTION OF REVERSE TAPED



| REVERSE TAPED | 5 | 18.86 | 10.70 | 15.00 | 22.00 | 12 | 7-794620-2 |
|---------------|--------|-------|-------|-------|-------|--------------|-------------|
| TRAY | 5 | 36.86 | 28.70 | 33.00 | 40.00 | 24 | 5-794620-4 |
| TRAY | 5 | 33.86 | 25.70 | 30.00 | 37.00 | 22 | 5-794620-2 |
| TRAY | 5 | 30.86 | 22.70 | 27.00 | 34.00 | 20 | 5-794620-0 |
| TRAY | 5 | 27.86 | 19.70 | 24.00 | 31.00 | 18 | 4-794620-8 |
| TRAY | 5 | 24.86 | 16.70 | 21.00 | 28.00 | 16 | 4-794620-6 |
| TRAY | 5 | 21.86 | 13.70 | 18.00 | 25.00 | 14 | 4-794620-4 |
| TRAY | 5 | 18.86 | 10.70 | 15.00 | 22.00 | 12 | 4-794620-2 |
| TRAY | 5 | 15.86 | 7.70 | 12.00 | 19.00 | 10 | 4-794620-0 |
| TRAY | 5 | 12.86 | 4.70 | 9.00 | 16.00 | 8 | 3-794620-8 |
| TRAY | 5 | 9.86 | - | 6.00 | 13.00 | 6 | 3-794620-6 |
| TRAY | 5 | 6.86 | - | 3.00 | 10.00 | 4 | 3-794620-4 |
| TRAY | 5 | 3.86 | - | - | 7.00 | 2 | 3-794620-2 |
| TRAY | 2 | 36.86 | 28.70 | 33.00 | 40.00 | 24 | 2-794620-4 |
| TRAY | 2 | 33.86 | 25.70 | 30.00 | 37.00 | 22 | 2-794620-2 |
| TRAY | 2 | 30.86 | 22.70 | 27.00 | 34.00 | 20 | 2-794620-0 |
| TRAY | 2 | 27.86 | 19.70 | 24.00 | 31.00 | 18 | 1-794620-8 |
| TRAY | 2 | 24.86 | 16.70 | 21.00 | 28.00 | 16 | 1-794620-6 |
| TRAY | 2 | 21.86 | 13.70 | 18.00 | 25.00 | 14 | 1-794620-4 |
| TRAY | 2 | 18.86 | 10.70 | 15.00 | 22.00 | 12 | 1-794620-2 |
| TRAY | 2 | 15.86 | 7.70 | 12.00 | 19.00 | 10 | 1-794620-0 |
| TRAY | 2 | 12.86 | 4.70 | 9.00 | 16.00 | 8 | 794620-8 |
| TRAY | 2 | 9.86 | - | 6.00 | 13.00 | 6 | 794620-6 |
| TRAY | 2 | 6.86 | - | 3.00 | 10.00 | 4 | 794620-4 |
| TRAY | 2 | 3.86 | - | - | 7.00 | 2 | 794620-2 |
| PACKAGE | FINISH | DIM Y | DIM W | DIM Z | DIM X | NO. OF POSN. | PART NUMBER |



RECOMMENDED PCB LAYOUT (COMPONENT SIDE) 4

THIS DRAWING IS A CONTROLLED DOCUMENT. DWN B. HAYMAKER 12AUG99
 CHK K. COBLE 12AUG99
 APVD K. COBLE 12AUG99

STE TE Connectivity

NAME: THRU-HOLE, R/A, 30 GOLD HEADER, PLASTIC BOARDLOCK, DUAL ROW, MICRO MATE-N-LOK™

SIZE: A2 CAGE CODE: 0779 DRAWING NO: 794620 RESTRICTED TO: -

MATERIAL: SEE TABLE 1

PRODUCT SPEC: -
 APPLICATION SPEC: -
 WEIGHT: -

CUSTOMER DRAWING SCALE: 4:1 SHEET 1 OF 1 REV: F2