

FEATURES AND SPECIFICATIONS

Features and Benefits

- Solder tails for 1.6mm (.062") and 3.2mm (.125") PCBs
- FMLB/LMFB pins (extended/recessed) available
- Flux-proof option

Reference Information

Product Specification: PS-85013-0001
 Packaging: Box
 UL File No.: E29179
 CSA File No.: LR19980-390
 Mates With: [85050](#)—Right angle female style Q/3

Electrical

Current: 1.5A

Physical

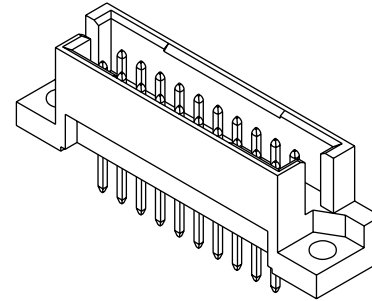
Housing: Glass-filled polyester, UL 94V-0
 Contact: Brass
 Operating Temperature: -55 to +125°C



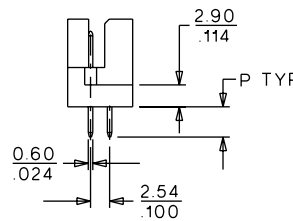
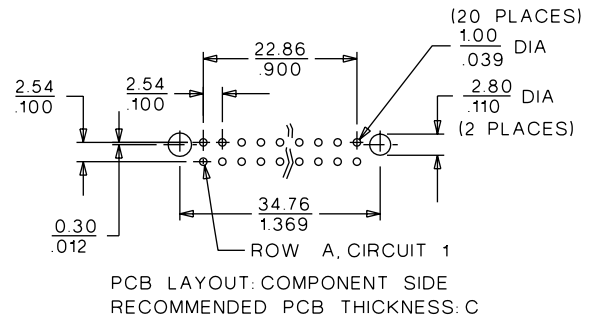
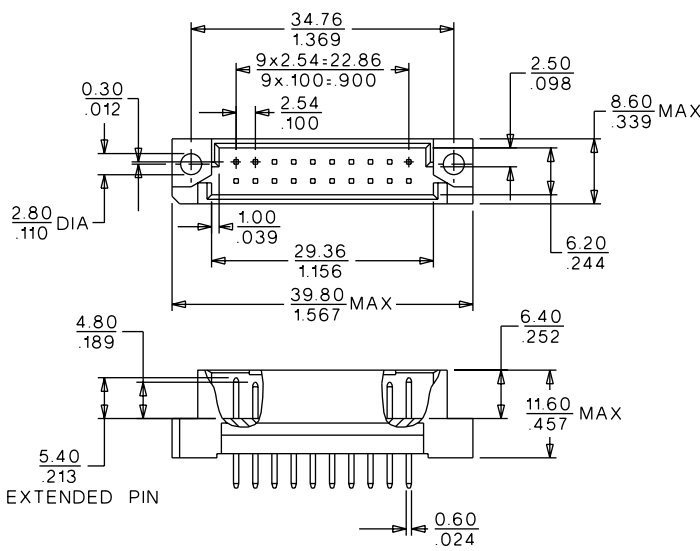
**2.54mm (.100") Pitch
 DIN 41612/IEC 603-2
 Connector**

85011

**Male
 Style Q/3**



CATALOG DRAWING (FOR REFERENCE ONLY)



ORDERING INFORMATION AND DIMENSIONS

Circuits	Order No.		Contact Loading	Rows	Solder Tail Dimension P
	Performance Level*				
	1	2			
20	85011-0103	85011-0000	Full	a, b	4.5 (.177)

For other versions contact Molex

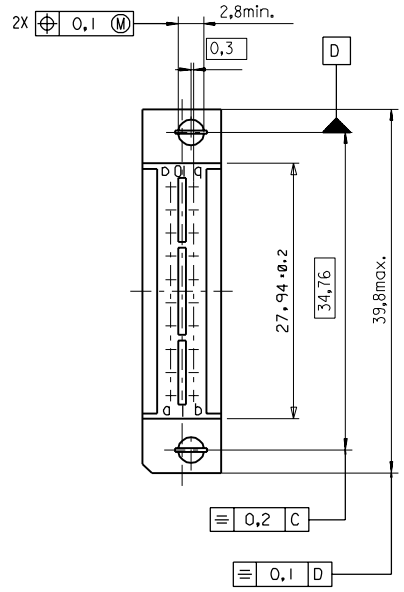
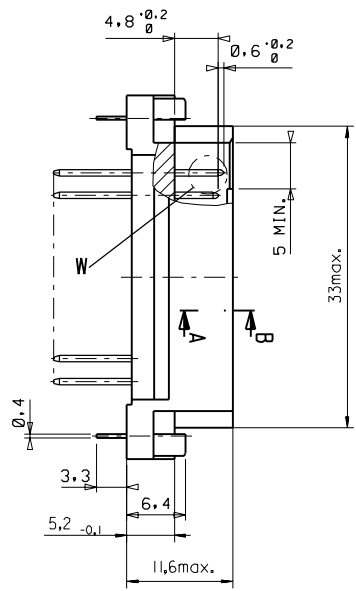
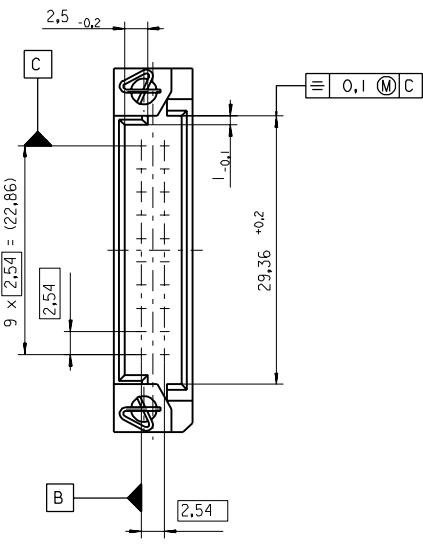
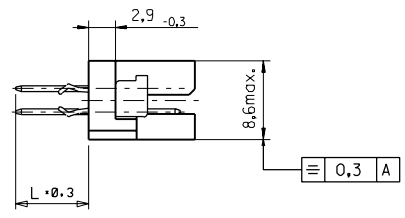
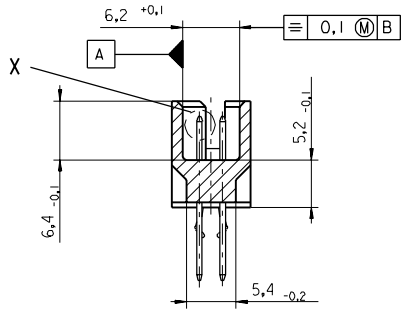
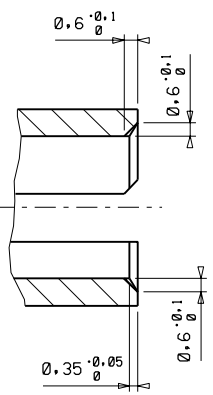
* Performance levels based on test conditions per DIN 41612, part 5:

1: >500 mating cycles. 10 day industrial environment (S02)

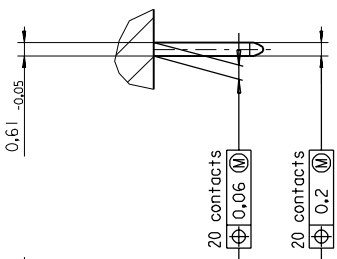
2: >400 mating cycles. 4 day industrial environment (S02)

PART NO.
DWG. NO.

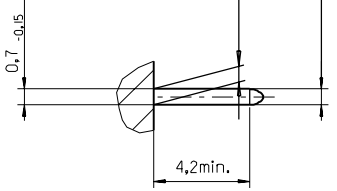
Section A - B
5:1



View X
5:1



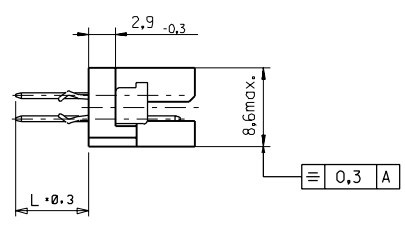
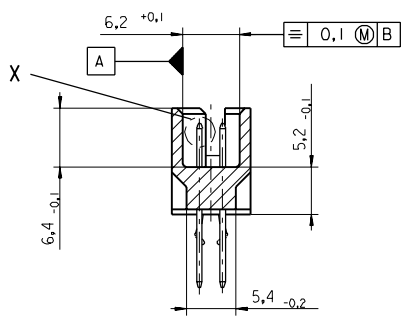
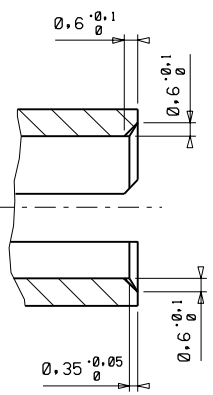
View W
5:1



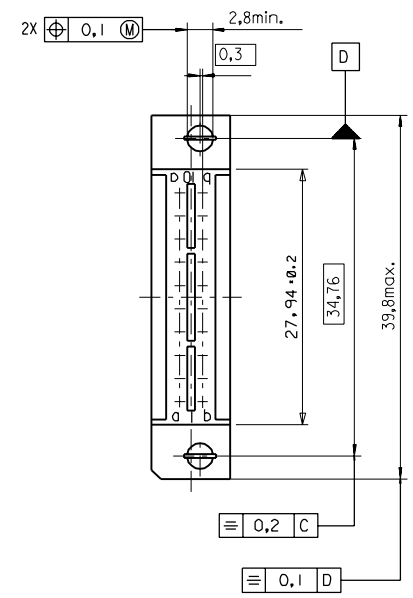
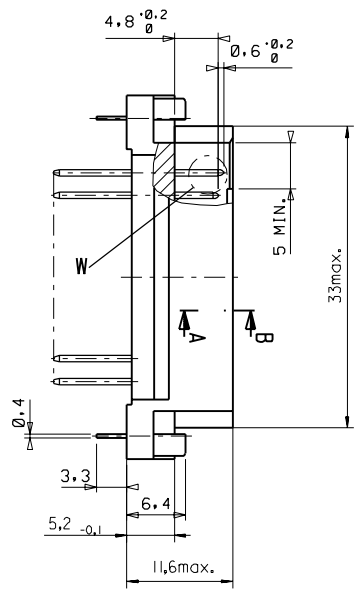
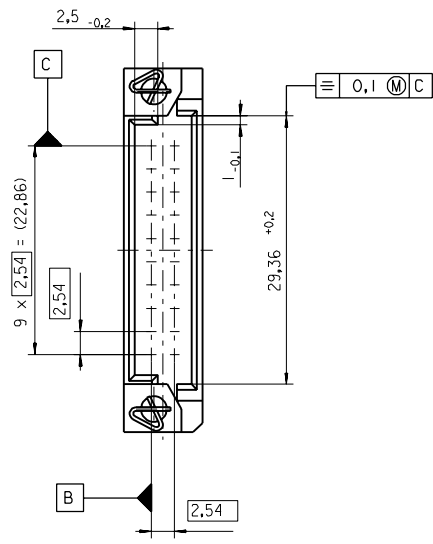
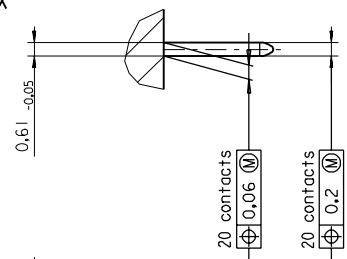
first release see ECN No. 1887	REVISIONS FOR PREVIOUS REVISIONS SEE MRI LIST	FIRST ANGLE PROJECTION		REVISE ONLY ON CAD SYSTEM		SH.	REV.
		UNLESS OTHERWISE SPECIFIED TOLERANCES: ANGULAR ±2°	DRWG BY Ca	SIGN	CAD/CAM PROJECT NAME 8501000 611	THIS DRAWING CONTAINS INFORMATION THAT IS PROPRIETARY TO MOLEX INC. & SHOULD NOT BE USED WITHOUT WRITTEN PERMISSION	
		INCH	METRIC	CHK'D BY KN	SIGN	TITLE 20 pos. Male connector acc. DIN 41612 style Q/3 Dimensions	
		3 PLACE ± . ±	±	APP'D BY	SIGN	SHEET NO. DATE 1 OF 95/06/08	
		2 PLACE ± . ±	±	SCALE 2:1		MOLEX MOLEX EUROPE	
		1 PLACE ± . ±	±			PART NO. DWG NO. SIZE SDA-85011-0001 B	
		DRAFT WHERE APPLICABLE MUST REMAIN WITHIN DIMENSIONS					
		DESIGN DIMENSION	<input checked="" type="checkbox"/> MM				
		EQUIVALENT DIMENSION	<input type="checkbox"/> MM				
		IF TWO DIMENSIONS ARE SHOWN THE UPPER IS THE DESIGN DIMENSION, LOWER IS SECONDARY					

PART NO.
DWG. NO.

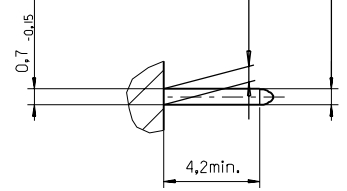
Section A - B
5:1



View X
5:1



View W
5:1



first release see ECN No. 1887	REVISIONS FOR PREVIOUS REVISIONS SEE MRI LIST 3 PLACE ± . ± 2 PLACE ± . ± 1 PLACE ± . ± DRAFT WHERE APPLICABLE MUST REMAIN WITHIN DIMENSIONS DESIGN DIMENSION <input checked="" type="checkbox"/> MM <input type="checkbox"/> IN. EQUIVALENT DIMENSION <input type="checkbox"/> MM <input type="checkbox"/> IN. IF TWO DIMENSIONS ARE SHOWN THE UPPER IS THE DESIGN DIMENSION, LOWER IS SECONDARY	DRWG BY Ca	SIGN	CAD/CAM PROJECT NAME 8501000 611	THIS DRAWING CONTAINS INFORMATION THAT IS PROPRIETARY TO MOLEX INC. & SHOULD NOT BE USED WITHOUT WRITTEN PERMISSION	SH.	REV.
		CHK'D BY KN	SIGN	TITLE 20 pos. Male connector acc. DIN 41612 style Q/3 Dimensions		SHEET NO. 1 OF	DATE 95/06/08
A	LTR	APP'D BY	SIGN	MOLEX MOLEX EUROPE		PART NO.	SIZE
		SCALE 2:1		SDA-85011-0001			B

View on mating side

⊕	A	A	A	A	A	A	A	A	A
⊖	A	A	A	A	A	A	A	A	A
	↖	↗	↘	↙	↚	↛	↜	↝	↞

A = 20 standard contacts L=4,5

Marking	Standard
Performance level	G1/0 = Contact area perform. level / Termination tin
Flux proof	no
Fixing clip	no
Dimensions	SDA-85011-0001 sht.1
Technical Data	PS-85013-0001

Contact symbol level

a1-10 b1-10

Contact position number

see ECN No. 2204	REVISIONS		FOR PREVIOUS REVISIONS SEE MRI LIST	
	LTR	96/07/18 cd		

UNLESS OTHERWISE SPECIFIED TOLERANCES: ANGULAR ± 2° INCH METRIC	DRWG BY	SIGN
3 PLACE ± °	Cd	
2 PLACE ± °	CHK'D BY	
1 PLACE ± °	KN	
DRAFT WHERE APPLICABLE MUST REMAIN WITHIN DIMENSIONS	APP'D BY	
DESIGN DIMENSION <input type="checkbox"/> MM <input type="checkbox"/> IN.	SCALE	
EQUIVALENT DIMENSION <input type="checkbox"/> MM <input type="checkbox"/> IN.		
IF TWO DIMENSIONS ARE SHOWN, THE UPPER IS THE DESIGN DIMENSION, LOWER IS SECONDARY		

REVISIONS ONLY ON CAD SYSTEM SH. REV.

CAD/CAM PROJECT NAME	THIS DRAWING CONTAINS INFORMATION THAT IS PROPRIETARY TO MOLEX INC. & SHOULD NOT BE USED WITHOUT WRITTEN PERMISSION
s8501101501	

TITLE
20 pos. Male connector
acc. DIN 41612 style Q/3
contacts arrangement

molex MOLEX EUROPE	SHEET NO.	DATE
	1 OF 1	95/06/08

PART NO.	DWG NO.	SIZE
85011-0103	SDA-85011-0103	A