

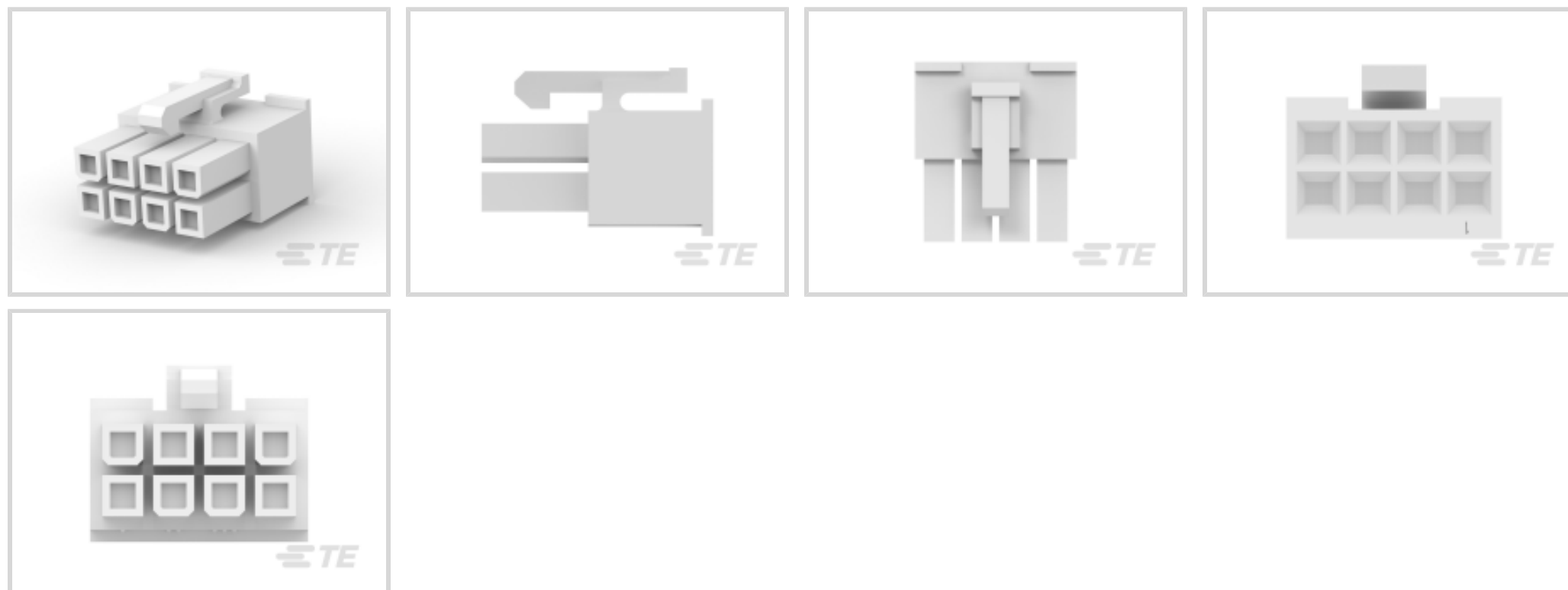
VAL-U-LOK

TE Internal #: 794954-8

Rectangular Power Connectors, Housing, Receptacle, Wire-to-Board / Wire-to-Wire, 8 Position, .165 in [4.2 mm] Centerline, Wire & Cable, UL 94V-2

[View on TE.com >](#)

Connectors > Power Connectors > Rectangular Power > Rectangular Power Connectors



Rectangular Power Connector Type: **Housing**

Connector & Housing Type: **Receptacle**

Connector System: **Wire-to-Board, Wire-to-Wire**

Number of Positions: **8**

Centerline (Pitch): **4.2 mm [.165 in]**

Features

Product Type Features

Rectangular Power Connector Type	Housing
Connector & Housing Type	Receptacle
Connector System	Wire-to-Board, Wire-to-Wire
Sealable	No
Connector & Contact Terminates To	Wire & Cable

Configuration Features

Number of Positions	8
Number of Rows	2

Electrical Characteristics

Operating Voltage	600 VAC
-------------------	---------

Contact Features

Contact Layout	Matrix
Multiple Contact Types	Without
Contact Retention Within Housing	Without



Contact Type	Receptacle
--------------	------------

Termination Features

Termination Method to Wire & Cable	Crimp
Wire/Cable Type	Discrete Wire

Mechanical Attachment

Connector Mounting Type	Cable Mount (Free-Hanging)
-------------------------	----------------------------

Housing Features

Centerline (Pitch)	4.2 mm [.165 in]
Housing Color	Natural
Housing Material	Nylon

Dimensions

Row-to-Row Spacing	4.2 mm [.165 in]
Width	20 mm [.787 in]
Accepts Wire Insulation Diameter Range	1.2 – 3.1 mm [.047 – .122 in]
Height	11.8 mm [.464 in]
Length	18 mm [.709 in]

Usage Conditions

Operating Temperature Range	-40 – 105 °C [-40 – 221 °F]
Insertion Force	15 Newton

Operation/Application

Circuit Application	Power & Signal
---------------------	----------------

Identification Marking

Circuit Identification Feature	With
--------------------------------	------

Industry Standards

UL Flammability Rating	UL 94V-2
Glow Wire Rating	Standard Part - Not Glow Wire
Agency/Standard Number	E28476
Agency/Standard	CSA, UL
UL Rating	Recognized
CSA File Number	208567
VDE Tested	No



Packaging Features

Packaging Method	Bag
Packaging Quantity	500

Other

For Use With	Printed Circuit Board
--------------	-----------------------

Product Compliance

For compliance documentation, visit the product page on [TE.com](https://www.te.com)>

EU RoHS Directive 2011/65/EU	Compliant
EU ELV Directive 2000/53/EC	Compliant
China RoHS 2 Directive MIIT Order No 32, 2016	No Restricted Materials Above Threshold
EU REACH Regulation (EC) No. 1907/2006	Current ECHA Candidate List: JUNE 2022 (224) Candidate List Declared Against: JAN 2022 (223) SVHC > Threshold: Not Yet Reviewed
Halogen Content	Not Low Halogen - contains Br or Cl > 900 ppm.
Solder Process Capability	Not applicable for solder process capability

Product Compliance Disclaimer

This information is provided based on reasonable inquiry of our suppliers and represents our current actual knowledge based on the information they provided. This information is subject to change. The part numbers that TE has identified as EU RoHS compliant have a maximum concentration of 0.1% by weight in homogenous materials for lead, hexavalent chromium, mercury, PBB, PBDE, DBP, BBP, DEHP, DIBP, and 0.01% for cadmium, or qualify for an exemption to these limits as defined in the Annexes of Directive 2011/65/EU (RoHS2). Finished electrical and electronic equipment products will be CE marked as required by Directive 2011/65/EU. Components may not be CE marked. Additionally, the part numbers that TE has identified as EU ELV compliant have a maximum concentration of 0.1% by weight in homogenous materials for lead, hexavalent chromium, and mercury, and 0.01% for cadmium, or qualify for an exemption to these limits as defined in the Annexes of Directive 2000/53/EC (ELV). Regarding the REACH Regulation, the information TE provides on SVHC in articles for this part number is based on the latest European Chemicals Agency (ECHA) 'Guidance on requirements for substances in articles' posted at this URL: <https://echa.europa.eu/guidance-documents/guidance-on-reach>

Compatible Parts




TE Part # 1586041-8
8P VAL-U-LOK R/A HDR V2



TE Part # 1586000-8
8P FH PLUG VAL-U-LOK V2



TE Part # 1586037-8
8P VERT HDR VAL-U-LOK V2



TE Part # 1586039-8
8P VAL-U-LOK VRT HDR W/P V2



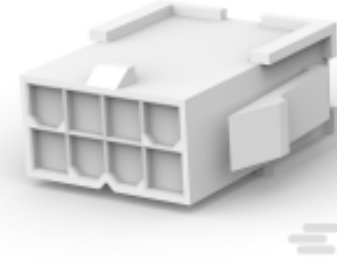
TE Part # 1586043-8
8P VAL-U-LOK R/A HDR SCR MT V2



TE Part # 794953-8
8P PM PLUG VAL-U-LOK V2



TE Part # 1969598-8
8P FH PLUG VAL-U-LOK V2



TE Part # 1969599-8
8P PM PLUG VAL-U-LOK V2



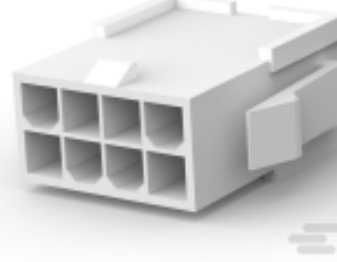
TE Part # 1586585-8
8P VAL-U-LOK BMI VRT HDR V2



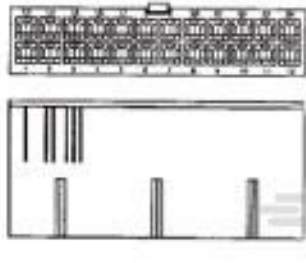
TE Part # 1586586-8
8P VAL-U-LOK BMI VRT HDR V2



TE Part # 2029097-2
2P RCPT VAL-U-LOK V2 BLUE



TE Part # 794550-8
08P DUAC PLUG HSG 94V-2 PAN MT



TE Part # 2029027-8
8P PLUG VAL-U-LOK FH V2 BLK

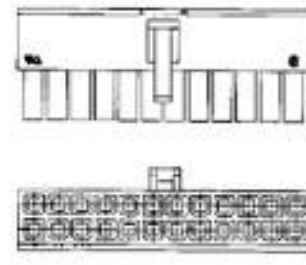


TE Part # 2825272-8
8P VERT HDR VAL-U-LOK HCS GW

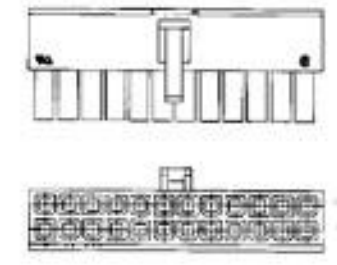


TE Part # 3-1586040-8
8P VAL-U-LOK VRT HDR W/P V0 gold

Customers Also Bought



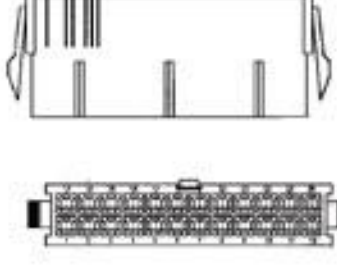
TE Part #2-794954-0
20P RCPT VAL-U-LOK V2



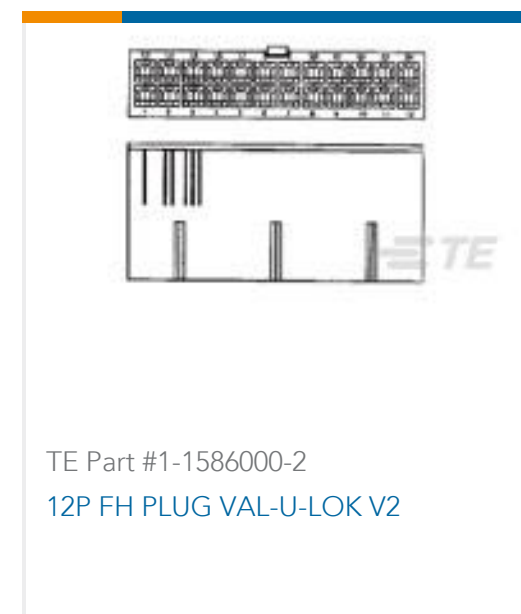
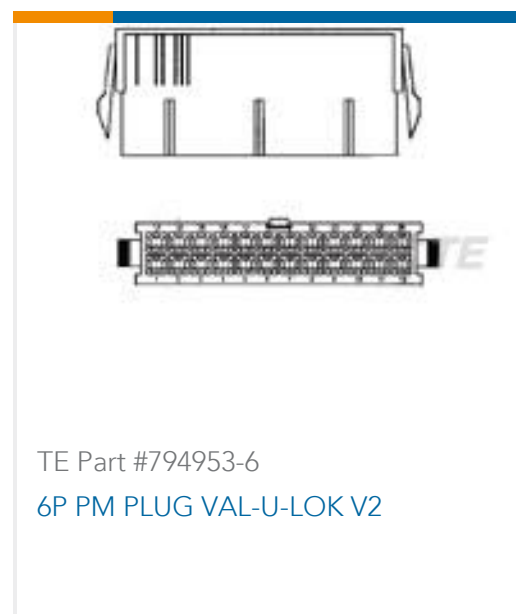
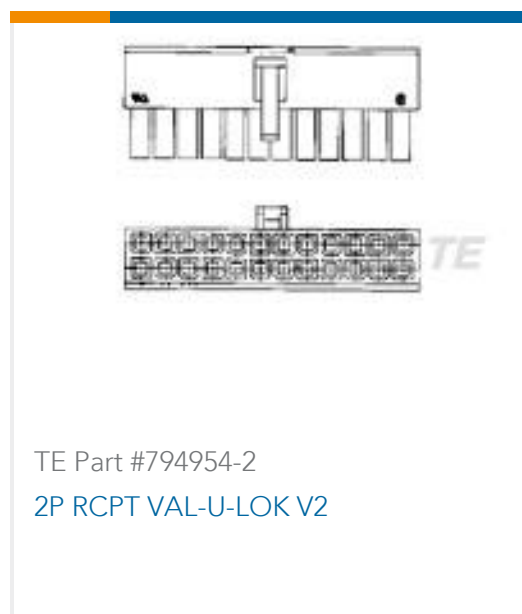
TE Part #1-794954-2
12P RCPT VAL-U-LOK V2



TE Part #1586000-4
4P FH PLUG VAL-U-LOK V2



TE Part #794953-4
4P PM PLUG VAL-U-LOK V2



Documents

Product Drawings

8P RCPT VAL-U-LOK V2

English

CAD Files

3D PDF

3D

Customer View Model

[ENG_CVM_CVM_794954-8_E.2d_dxf.zip](#)

English

Customer View Model

[ENG_CVM_CVM_794954-8_E.3d_igs.zip](#)

English

Customer View Model

[ENG_CVM_CVM_794954-8_E.3d_stp.zip](#)

English

By downloading the CAD file I accept and agree to the [Terms and Conditions](#) of use.

Datasheets & Catalog Pages

SOFT_SHELL_PIN_AND_SOCKET_CONNECTORS_CATALOG

English

Product Specifications

Application Specification

English

Product Environmental Compliance

MD_794954-8_080820182246_dmtec



English

[MD_794954-8_080820182246_dmtec](#)

English

[Agency Approvals](#)

[UL Report](#)

English