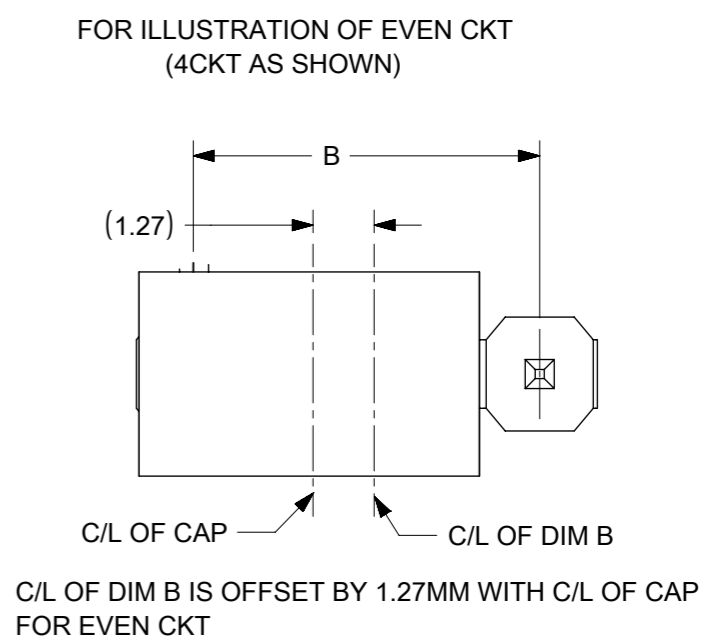
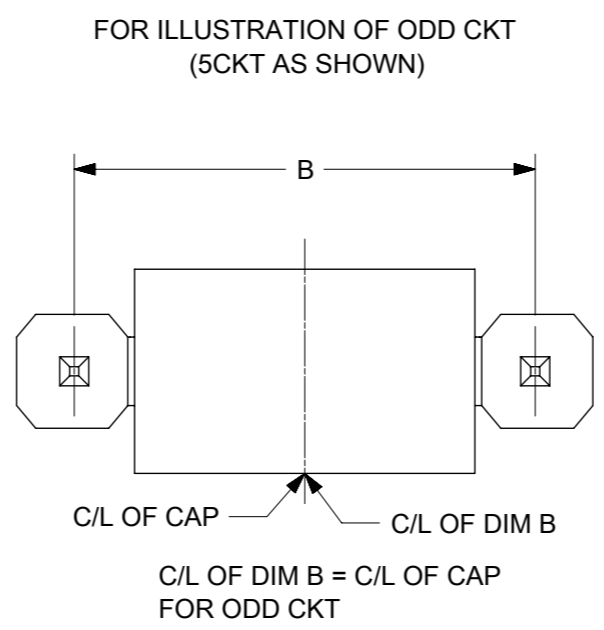
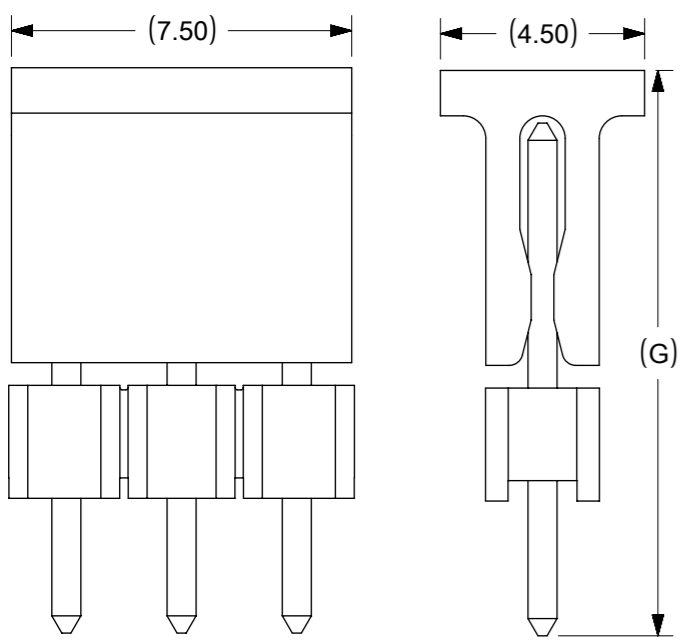


NOTES

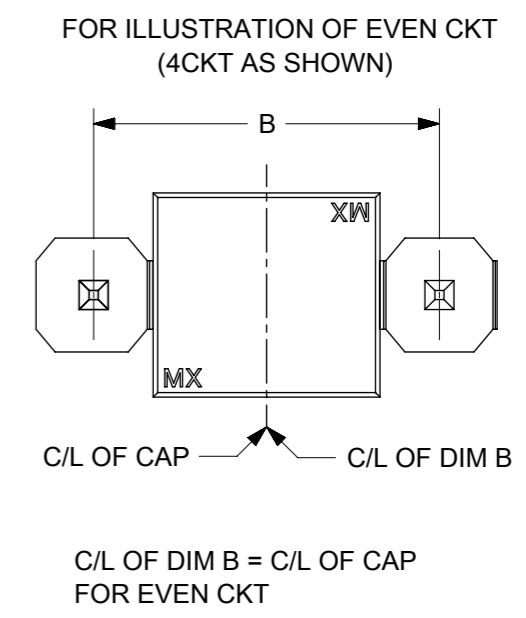
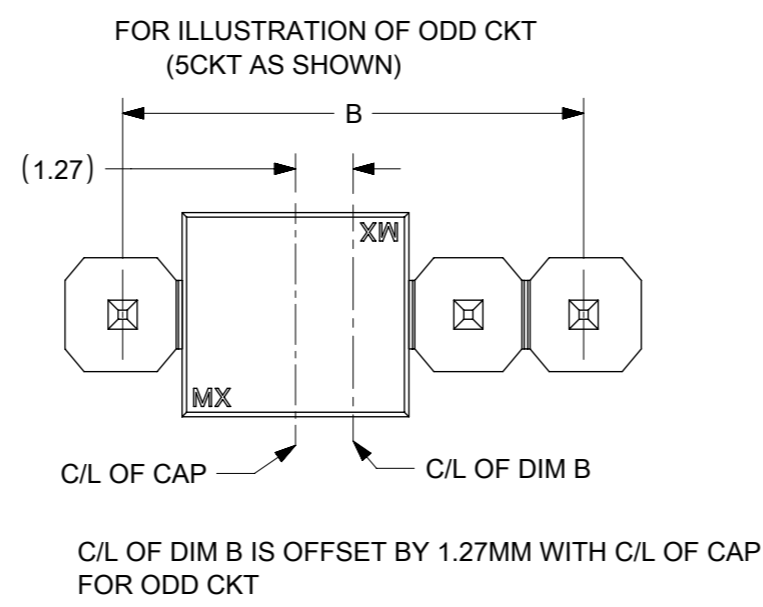
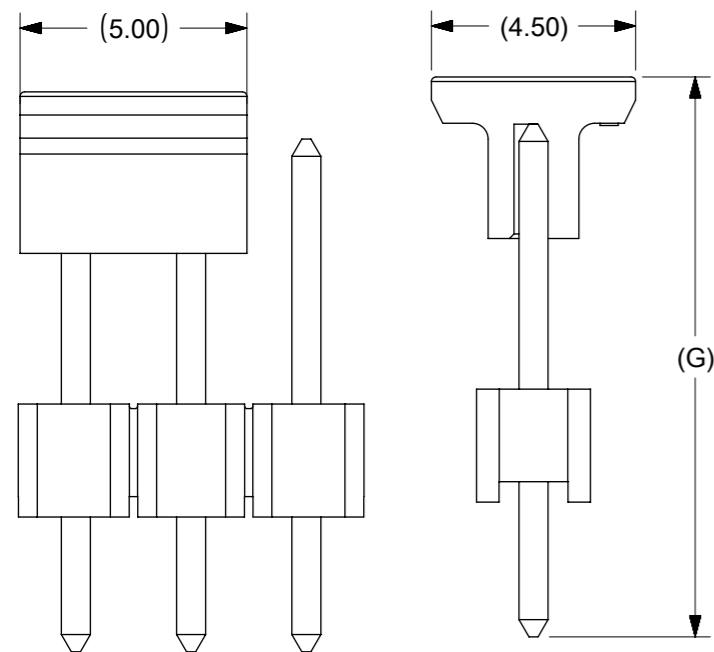
- MATERIAL:  
HSG: NYLON, GLASS-FILLED, UL94V-0 COLOR: BLACK  
PIN: 0.64MM SQ, COPPER ALLOY
- PLATING TYPE:  
(1) GOLD FLASH OVER  
1.25µm MIN. NICKEL OVERALL.  
(2) GOLD FLASH ON CONTACT AND  
2.50µm MIN. TIN ON SOLDER TAIL OVER  
1.25µm MIN. NICKEL OVERALL.  
(3) 0.38µm MIN. GOLD PLATE ON CONTACT AND  
2.00µm MIN. TIN ON SOLDER TAIL OVER  
1.25µm MIN. NICKEL OVERALL.  
(4) 0.75µm MIN. GOLD PLATE ON CONTACT AND  
2.00µm MIN. TIN ON SOLDER TAIL OVER  
1.25µm MIN. NICKEL OVERALL.  
(5) 2.50µm MIN TIN OVERALL  
1.25µm MIN NICKEL OVERALL
- PRODUCT SPECIFICATION: PS-87920-019
- PACKAGING TYPE: SEE TABLE
- WAFER TO BE FLAT WITHIN 0.003 mm/mm
- RECOMMENDED PCB THICKNESS IS 1.60mm±0.10
- IRREGULAR CIRCUIT CUTOFF WITHIN BREAKAWAY SECTION IS PERMISSIBLE. CUTTING OR CHIPPING OF THE MAIN BODY IS NOT ACCEPTABLE
- THE ABOVE CKT 6 IS FOR ILLUSTRATION PURPOSE ONLY
- PACKAGING SPECIFICATION:  
TRAY: PK-89990-489  
BULK: PK-89990-491  
T&R : PK-87898-400  
TUBE: PK-89990-934
- REFER SHEET 2 FOR CAP LOCATION.

SYMBOLS	THIS DRAWING CONTAINS INFORMATION THAT IS PROPRIETARY TO MOLEX ELECTRONIC TECHNOLOGIES, LLC AND SHOULD NOT BE USED WITHOUT WRITTEN PERMISSION		CURRENT REV DESC: 87891-0206&0306 ADD	
	DIMENSION UNITS	SCALE		
▽ = 0	mm	NTS		
▽ = 0	GENERAL TOLERANCES (UNLESS SPECIFIED)			
▽ = 0		MM	INCH	
▽ = 0	4 PLACES	±	±	
▽ = 0	3 PLACES	±	±	
▽ = 0	2 PLACES	±	0.2	±
▽ = 0	1 PLACE	±	±	
▽ = 0	0 PLACES	±	±	
⊠ = 0	ANGULAR TOL ± 3.0°			
■ = 0	DRAFT WHERE APPLICABLE MUST REMAIN WITHIN DIMENSIONS			
▽ = 0	THIRD ANGLE PROJECTION		DRAWING	SERIES
	A3-SIZE		87891	
DOCUMENT NUMBER		DOC TYPE	DOC PART	REVISION
SD-87891-001		PSD	000	D13
MATERIAL NUMBER		CUSTOMER		
SEE TABLE		GENERAL MARKET		
SHEET NUMBER		1 OF 4		

### CAP INFORMATION- CAP OPTION A



### CAP INFORMATION- CAP OPTION B



SYMBOLS	THIS DRAWING CONTAINS INFORMATION THAT IS PROPRIETARY TO MOLEX ELECTRONIC TECHNOLOGIES, LLC AND SHOULD NOT BE USED WITHOUT WRITTEN PERMISSION			
	DIMENSION UNITS		SCALE	
	mm		NTS	
	CURRENT REV DESC: 87891-0206&0306 ADD			
GENERAL TOLERANCES (UNLESS SPECIFIED)				
		MM	INCH	<b>molex</b> CUSTOM HEADER 2.54MM PITCH, SINGLE ROW SINGLE WAFER, T/H HEADER PRODUCT CUSTOMER DRAWING
▽ = 0	4 PLACES	±	±	
▽ = 0	3 PLACES	±	±	
▽ = 0	2 PLACES	± 0.2	±	
▽ = 0	1 PLACE	±	±	
□ = 0	0 PLACES	±	±	EC NO: 624545 DRWN: VNANDAM      2019/08/05 CHK'D: MRAMAKRISHNA      2019/09/24 APPR: MRAMAKRISHNA      2019/09/24
■ = 0	ANGULAR TOL		± 3.0°	INITIAL REVISION: DRWN: KCHO      2004/03/24 APPR: SCLOW      2004/04/08
▽ = 0	DRAFT WHERE APPLICABLE MUST REMAIN WITHIN DIMENSIONS		THIRD ANGLE PROJECTION	DOCUMENT NUMBER: SD-87891-001 DOC TYPE: PSD DOC PART: 000 REVISION: D13
DRAWING		SERIES	MATERIAL NUMBER	CUSTOMER
A3-SIZE		87891	SEE TABLE	GENERAL MARKET
SHEET NUMBER		2 OF 4		

CKT SIZE	DIMENSION		ASSY W/CAP IN T&R	ASSY W/O CAP IN T&R	ASSY W/O CAP IN TUBE	ASSY W/CAP IN TUBE	PART NO. W/O CAP IN TRAY PACKAGING	PART NO. IN BULK PACKAGING	CKT SIZE	VOID PIN	KINK PIN	(G)	DIMENSION			PLATING TYPE	CAP OPTION	REMARKS
	A	B											OAL	MATING END	SOLDIER TAIL			
													(F)	M	P			
02	5.08	2.54					87891-0108	-	01	-	-	-	10.80	5.08	3.23	5	-	-
03	7.62	5.08					87891-1017	-	01	-	-	-	12.29	6.80	3.00	3	-	-
04	10.16	7.62					87891-0205	-	02	-	-	-	11.30	5.84	2.97	4	-	-
05	12.70	10.16					87891-0206	-	02	-	-	-	11.30	5.84	2.97	5	-	-
06	15.24	12.70					87891-0209	-	02	-	-	-	10.80	5.08	3.23	5	-	-
07	17.78	15.24					87891-0210	-	02	-	-	-	31.00	25.54	2.97	5	-	-
08	20.32	17.78					87891-0216	-	02	-	-	-	7.29	2.40	2.40	5	-	-
09	22.86	20.32					87891-0212	-	02	-	-	-	18.37	12.68	3.20	5	-	-
10	25.40	22.86					87891-0211	-	02	-	-	-	26.49	20.80	3.20	5	-	-
11	27.94	25.40					87891-0214	-	02	-	-	-	19.49	13.00	4.00	5	-	-
12	30.48	27.94					87891-0215	-	02	-	-	14.98	13.98	7.49	4.00	5	A	-
13	33.02	30.48					87891-0213	-	02	-	-	-	12.14	5.84	3.81	4	-	-
14	35.56	33.02					87891-0306	-	03	-	-	-	11.30	5.84	2.97	5	-	-
15	38.10	35.56					87891-0307	-	03	-	-	-	22.73	18.74	1.50	5	-	-
16	40.64	38.10					87891-0003	-	03	2	-	-	13.72	9.65	1.78	6	-	-
17	43.18	40.64					87891-0311	-	03	-	-	12.34	11.30	5.84	2.97	5	B	REFER RPK-87891-0311 (FOR 87891-0311)
18	45.72	43.18					-	-	03	-	-	-	6.49	2.00	2.00	5	-	-
19	48.26	45.72					87891-0402	-	04	2	-	-	10.80	5.89	2.41	5	-	-
20	50.80	48.26					87891-0004	-	04	-	-	-	35.10	29.71	3.10	6	-	-
21	53.34	50.80					87891-0408	-	04	-	-	-	31.00	25.54	2.97	5	-	-
22	55.88	53.34					87891-0409	-	04	-	-	-	12.14	6.75	2.90	5	-	REFER 878910418-RPK (FOR 87891-0418)
23	58.42	55.88					87891-0417	-	04	-	-	16.31	15.11	9.01	3.61	5	A	-
24	60.96	58.42					87891-0432	-	04	-	-	-	18.03	13.54	2.00	5	-	-
25	63.50	60.96					87891-0430	-	04	-	-	-	13.09	8.00	2.80	5	A	-
26	66.04	63.50					87891-0501	-	05	-	-	-	13.62	8.08	3.05	5	-	-
27	68.58	66.04					87891-0502	-	05	2	-	-	10.80	5.89	2.41	5	-	-
28	71.12	68.58					87891-0503	-	05	2	-	-	45.00	13.51	29.00	5	-	-
29	73.66	71.12					87891-0504	-	05	2	-	-	45.00	13.51	29.00	3	-	-
30	76.20	73.66					87891-0507	-	05	4	-	-	10.92	5.84	2.59	3	-	-
31	78.74	76.20					-	-	05	2,4	-	-	11.38	5.84	3.05	5	-	-
32	81.28	78.74					87891-0522	-	05	2&4	-	-	19.49	13.00	4.00	5	-	-
33	83.82	81.28					87891-0517	-	05	-	-	-	23.62	17.32	3.81	5	-	-
34	86.36	83.82					87891-0523	-	05	-	-	-	7.29	2.40	2.40	5	-	-
35	88.90	86.36					87891-0521	-	05	-	-	10.10	9.89	2.80	4.60	5	A	-
36	91.44	88.90																
37	93.98	91.44																
38	96.52	93.98																
39	99.06	96.52																
40	101.60	99.06																

DOCUMENT STATUS	P1	RELEASE DATE	2019/09/24	13:15:51
-----------------	----	--------------	------------	----------

SYMBOLS		THIS DRAWING CONTAINS INFORMATION THAT IS PROPRIETARY TO MOLEX ELECTRONIC TECHNOLOGIES, LLC AND SHOULD NOT BE USED WITHOUT WRITTEN PERMISSION	
▽ = 0	mm	SCALE	NTS
▽ = 0	GENERAL TOLERANCES (UNLESS SPECIFIED)		
▽ = 0	MM	INCH	
▽ = 0	4 PLACES	±	±
▽ = 0	3 PLACES	±	±
▽ = 0	2 PLACES	± 0.2	±
▽ = 0	1 PLACE	±	±
▽ = 0	0 PLACES	±	±
▽ = 0	ANGULAR TOL	± 3.0°	
▽ = 0	DRAFT WHERE APPLICABLE MUST REMAIN WITHIN DIMENSIONS		
▽ = 0	THIRD ANGLE PROJECTION	DRAWING	SERIES
		A3-SIZE	87891
CURRENT REV DESC: 87891-0206&0306 ADD		EC NO: 624545	
		DRWN: VNANDAM 2019/08/05	
		CHK'D: MRAMAKRISHNA 2019/09/24	
		APPR: MRAMAKRISHNA 2019/09/24	
INITIAL REVISION:		DOCUMENT NUMBER	
DRWN: KCHO 2004/03/24		SD-87891-001	
APPR: SCLOW 2004/04/08		DOC TYPE	DOC PART
		PSD	000
		REVISION	D13
MATERIAL NUMBER		CUSTOMER	SHEET NUMBER
SEE TABLE		GENERAL MARKET	3 OF 4

ASSY WITHOUT CAP IN TUBE	ASSY WITHOUT W/CAP IN TUBE	ASSY W/CAP IN T&R	PART NO. IN TRAY PACKAGING	PART NO. IN BULK PACKAGING	CKT SIZE	VOID PIN	KINK PIN	(G)	DIMENSION			PLATING TYPE	CAP OPTION
									OAL	MATING END	SOLDIER TAIL		
									(F)	M	P		
-	-	-	87891-0601	-	06	-	-	-	11.30	5.84	2.97	1	-
-	-	-	87891-0602	-	06	-	-	-	12.80	8.00	2.31	5	-
-	-	-	87891-0606	-	06	-	-	-	11.30	5.84	2.97	5	-
-	-	-	87891-0607	-	06	-	-	-	13.75	8.08	3.18	5	-
-	-	-	87891-0608	-	06	-	-	-	18.03	13.54	2.00	5	-
-	-	-	87891-0609	-	06	-	-	-	28.30	22.16	3.65	5	-
-	-	87891-0613	-	-	06	-	-	22.99	21.99	16.00	3.50	5	A
-	-	-	87891-0615	-	06	-	-	-	14.49	10.00	2.00	1	-
-	-	-	87891-0751	-	07	-	-	-	13.74	8.00	3.25	5	-
-	-	87891-0007	-	-	07	-	-	-	13.72	9.65	1.78	6	-
-	-	-	87891-0851	-	08	-	-	-	13.74	8.00	3.25	5	-
-	-	87891-0807	-	-	08	-	-	13.59	12.59	7.90	2.20	5	A
-	-	-	-	87891-2601	26	4,7,17	-	-	11.13	5.59	3.05	3	-
-	-	87891-1817	-	-	18	-	-	18.36	17.20	13.21	1.50	5	A
-	-	87891-1818	-	-	18	-	-	18.36	17.20	13.21	1.50	3	A
-	-	-	87891-2007	-	20	-	-	-	21.49	9.50	9.50	1	-
-	-	87891-2817	-	-	28	-	-	18.36	17.20	13.21	1.50	5	A
-	-	87891-2818	-	-	28	-	-	18.36	17.20	13.21	1.50	3	A
-	-	-	-	87891-3600	36	-	-	-	11.56	6.09	3.18	2	-
87891-4007	-	-	-	-	40	-	-	-	12.14	5.84	3.81	3	-

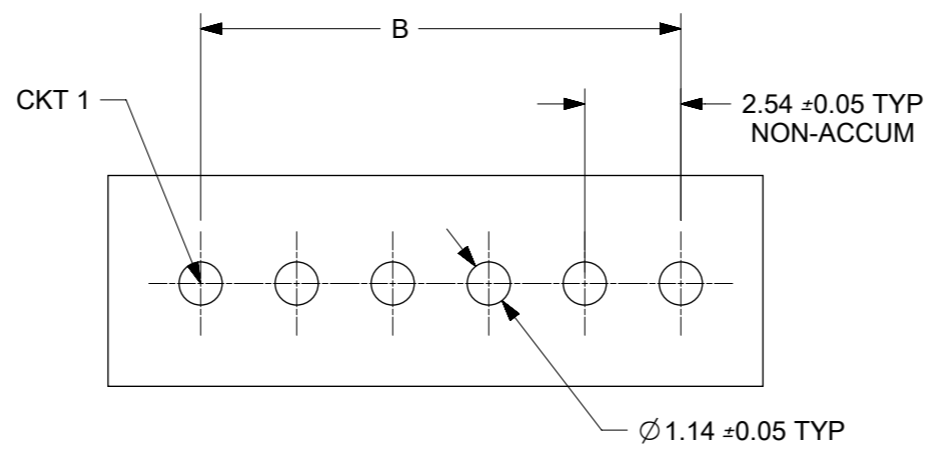
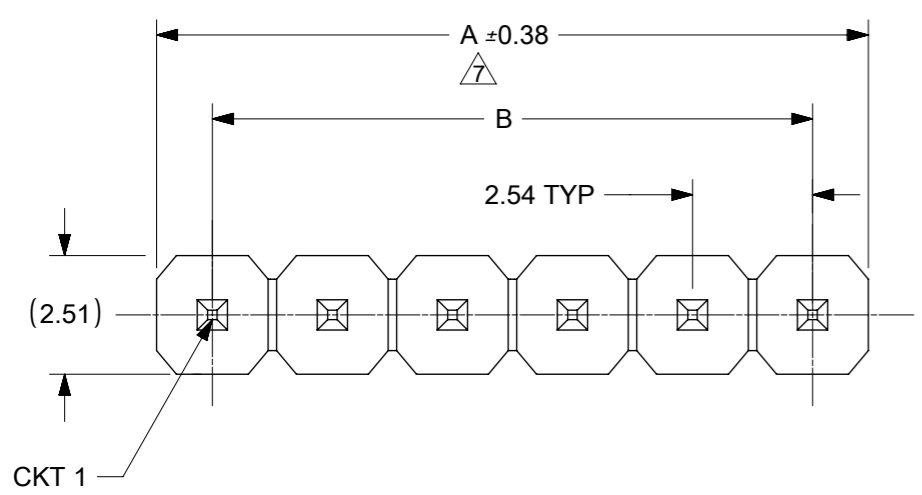
DOCUMENT STATUS		P1	RELEASE DATE	2019/09/24	13:15:51
-----------------	--	----	--------------	------------	----------

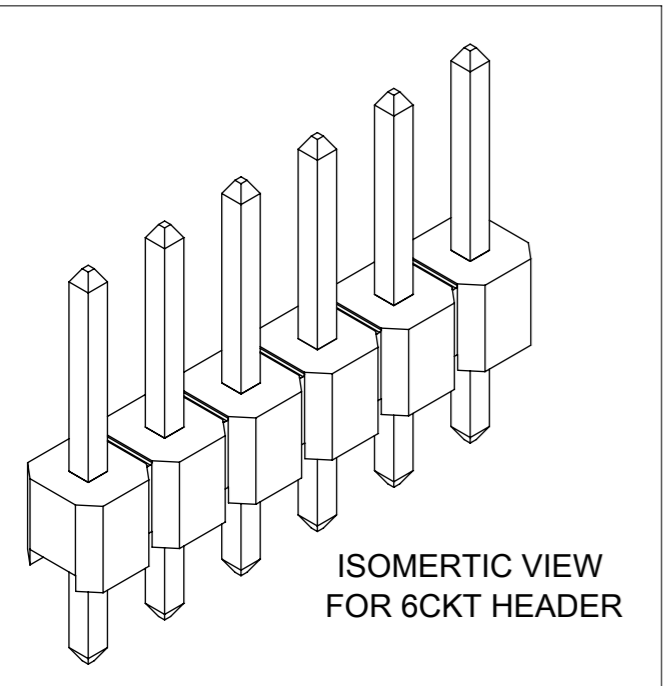
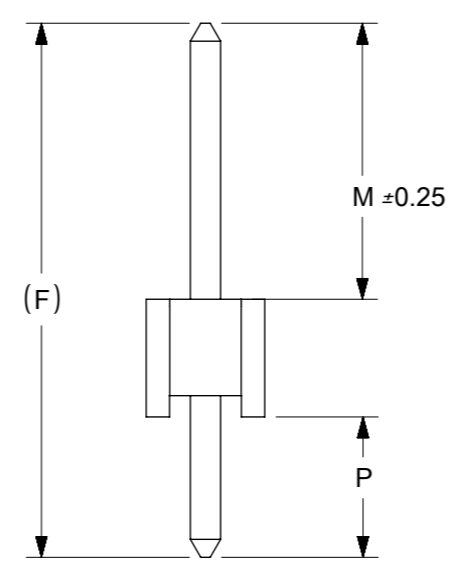
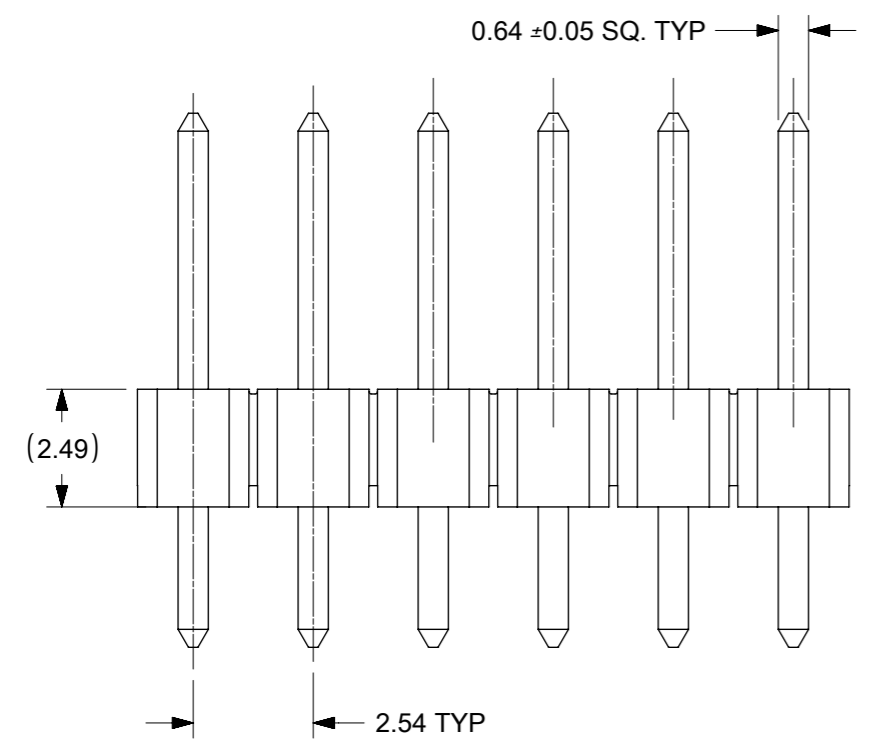
SYMBOLS	THIS DRAWING CONTAINS INFORMATION THAT IS PROPRIETARY TO MOLEX ELECTRONIC TECHNOLOGIES, LLC AND SHOULD NOT BE USED WITHOUT WRITTEN PERMISSION	
	DIMENSION UNITS	SCALE
▽ = 0	mm	NTS
▽ = 0	GENERAL TOLERANCES (UNLESS SPECIFIED)	
▽ = 0	MM	INCH
▽ = 0	4 PLACES ±	±
▽ = 0	3 PLACES ±	±
▽ = 0	2 PLACES ±	0.2 ±
▽ = 0	1 PLACE ±	±
▽ = 0	0 PLACES ±	±
⊠ = 0	ANGULAR TOL ± 3.0°	
■ = 0	DRAFT WHERE APPLICABLE MUST REMAIN WITHIN DIMENSIONS	
▽ = 0	THIRD ANGLE PROJECTION	

CURRENT REV DESC: 87891-0206&0306 ADD	
<b>molex</b>	
CUSTOM HEADER 2.54MM PITCH, SINGLE ROW SINGLE WAFER, T/H HEADER	
PRODUCT CUSTOMER DRAWING	
EC NO: 624545	2019/08/05
DRWN: VNANDAM	2019/09/24
CHK'D: MRAMAKRISHNA	2019/09/24
APPR: MRAMAKRISHNA	2019/09/24
INITIAL REVISION:	
DRWN: KCHO	2004/03/24
APPR: SCLOW	2004/04/08
DOCUMENT NUMBER	DOC TYPE   DOC PART   REVISION
SD-87891-001	PSD   000   D13
MATERIAL NUMBER	CUSTOMER
SEE TABLE	GENERAL MARKET
SHEET NUMBER	4 OF 4



RECOMENDED P.C.B HOLE LAYOUT



ISOMERTIC VIEW FOR 6CKT HEADER

**NOTES**


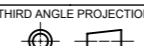
1. MATERIAL:  
HSG: NYLON, GLASS-FILLED, UL94V-0 COLOR: BLACK  
PIN: 0.64MM SQ, COPPER ALLOY
2. PLATING TYPE:
  - (1) GOLD FLASH OVER  
1.270µm MIN. NICKEL OVERALL.
  - (2) GOLD FLASH ON CONTACT AND  
1.905µm MIN. TIN ON SOLDER TAIL OVER  
1.270µm MIN. NICKEL OVERALL.
  - (3) 0.254µm MIN. GOLD PLATE ON CONTACT AND  
1.905µm MIN. TIN ON SOLDER TAIL OVER  
1.270µm MIN. NICKEL OVERALL.
  - (4) 0.381µm MIN. GOLD PLATE ON CONTACT AND  
1.905µm MIN. TIN ON SOLDER TAIL OVER  
1.270µm MIN. NICKEL OVERALL.
  - (5) 0.762µm MIN. GOLD PLATE ON CONTACT AND  
1.905µm MIN. TIN ON SOLDER TAIL OVER  
1.270µm MIN. NICKEL OVERALL.
  - (6) 2.540µm/100µin MIN TIN OVERALL  
1.270µm/50µin NICKEL OVERALL
3. PRODUCT SPECIFICATION: PS-87920-019
4. PACKAGING TYPE: SEE TABLE
5. WAFER TO BE FLAT WITHIN 0.003 mm/mm
6. RECOMMENDED PCB THICKNESS IS 1.60mm±0.10
- △ IRREGULAR CIRCUIT CUTOFF WITHIN BREAKAWAY SECTION IS PERMISSIBLE. CUTTING OR CHIPPING OF THE MAIN BODY IS NOT ACCEPTABLE
8. THE ABOVE CKT 6 IS FOR ILLUSTRATION PURPOSE ONLY
9. PACKAGING SPECIFICATION:  
TRAY: PK-89990-489  
BULK: PK-89990-491

THIS DRAWING CONTAINS INFORMATION THAT IS PROPRIETARY TO MOLEX ELECTRONIC TECHNOLOGIES, LLC AND SHOULD NOT BE USED WITHOUT WRITTEN PERMISSION		CURRENT REV DESC: REMASTERED IN NX			
DIMENSION UNITS	SCALE				
mm	NTS			CUSTOM HEADER	
GENERAL TOLERANCES (UNLESS SPECIFIED)				2.54MM PITCH, SINGLE ROW SINGLE WAFER, T/H HEADER	
ANGULAR TOL	± 3.0 °			PRODUCT CUSTOMER DRAWING	
4 PLACES	±	EC NO: 622052	2019/08/06	DOCUMENT NUMBER	
3 PLACES	±	DRWN: GJEEVANSURES	2019/08/07	SD-87891-013	
2 PLACES	± 0.2	CHK'D: GJEEVANSURES	2019/08/07	DOC TYPE	DOC PART
1 PLACE	±	APPR: ISHWARG	2019/08/09	PSD	001
0 PLACES	±	INITIAL REVISION:		REVISION	B3
DRAFT WHERE APPLICABLE MUST REMAIN WITHIN DIMENSIONS		DRWN: YLQIAO	2004/11/17		
THIRD ANGLE PROJECTION		APPR: SCLOW	2004/12/06		
DRAWING		SERIES	MATERIAL NUMBER	CUSTOMER	
A3-SIZE		87891	SEE TABLE	GENERAL MARKET	
				SHEET NUMBER	
				1 OF 8	

PACKAGING OPTION PART NO.			CKT SIZE	VOID POSITION	PLATING TYPE	DIMENSION				
TRAY	BULK	TUBE WITHOUT CAP				A	B	F	M	P
87891-0101	---	---	1	---	1	2.54	---	11.30	5.84	2.97
87891-0102	---	---	1	---	2	2.54	---	11.30	5.84	2.97
87891-0103	---	---	1	---	3	2.54	---	11.30	5.84	2.97
87891-0104	---	---	1	---	4	2.54	---	11.30	5.84	2.97
87891-0105	---	---	1	---	5	2.54	---	11.30	5.84	2.97
87891-0106	---	---	1	---	6	2.54	---	11.30	5.84	2.97
87891-0201	---	---	2	---	1	5.08	2.54	11.30	5.84	2.97
87891-0202	---	---	2	---	2	5.08	2.54	11.30	5.84	2.97
87891-0203	---	---	2	---	3	5.08	2.54	11.30	5.84	2.97
87891-0204	---	---	2	---	4	5.08	2.54	11.30	5.84	2.97
87891-0205	---	---	2	---	5	5.08	2.54	11.30	5.84	2.97
87891-0206	---	---	2	---	6	5.08	2.54	11.30	5.84	2.97
87891-0301	---	---	3	---	1	7.62	5.08	11.30	5.84	2.97
87891-0302	---	---	3	---	2	7.62	5.08	11.30	5.84	2.97
87891-0303	---	---	3	---	3	7.62	5.08	11.30	5.84	2.97
87891-0304	---	---	3	---	4	7.62	5.08	11.30	5.84	2.97
87891-0305	---	---	3	---	5	7.62	5.08	11.30	5.84	2.97
87891-0306	---	---	3	---	6	7.62	5.08	11.30	5.84	2.97


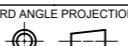
PACKAGING OPTION PART NO.			CKT SIZE	VOID POSITION	PLATING TYPE	DIMENSION				
TRAY	BULK	TUBE WITHOUT CAP				A	B	F	M	P
87891-0401	---	---	4	---	1	10.16	7.62	11.30	5.84	2.97
87891-0412	---	---	4	---	2	10.16	7.62	11.30	5.84	2.97
87891-0403	---	---	4	---	3	10.16	7.62	11.30	5.84	2.97
87891-0404	---	---	4	---	4	10.16	7.62	11.30	5.84	2.97
87891-0405	---	---	4	---	5	10.16	7.62	11.30	5.84	2.97
87891-0406	---	---	4	---	6	10.16	7.62	11.30	5.84	2.97
87891-0511	---	---	5	---	1	12.70	10.16	11.30	5.84	2.97
87891-0512	---	---	5	---	2	12.70	10.16	11.30	5.84	2.97
87891-0513	---	---	5	---	3	12.70	10.16	11.30	5.84	2.97
87891-0514	---	---	5	---	4	12.70	10.16	11.30	5.84	2.97
87891-0515	---	---	5	---	5	12.70	10.16	11.30	5.84	2.97
87891-0506	---	---	5	---	6	12.70	10.16	11.30	5.84	2.97
87891-0601	---	---	6	---	1	15.24	12.70	11.30	5.84	2.97
87891-0612	---	---	6	---	2	15.24	12.70	11.30	5.84	2.97
87891-0603	---	---	6	---	3	15.24	12.70	11.30	5.84	2.97
87891-0604	---	---	6	---	4	15.24	12.70	11.30	5.84	2.97
87891-0605	---	---	6	---	5	15.24	12.70	11.30	5.84	2.97
87891-0606	---	---	6	---	6	15.24	12.70	11.30	5.84	2.97

DOCUMENT STATUS | P1 | RELEASE DATE | 2019/08/09 12:00:10

THIS DRAWING CONTAINS INFORMATION THAT IS PROPRIETARY TO MOLEX ELECTRONIC TECHNOLOGIES, LLC AND SHOULD NOT BE USED WITHOUT WRITTEN PERMISSION									
DIMENSION UNITS	SCALE	CURRENT REV DESC: REMASTERED IN NX							
mm	NTS	 CUSTOM HEADER 2.54MM PITCH, SINGLE ROW SINGLE WAFER, T/H HEADER							
GENERAL TOLERANCES (UNLESS SPECIFIED)									
ANGULAR TOL	± 3.0 °	EC NO: 622052		DRWN: GJEEVANSURES 2019/08/06		CHK'D: GJEEVANSURES 2019/08/07		APPR: ISHWARG 2019/08/09	
4 PLACES	±	INITIAL REVISION:							
3 PLACES	±	DRWN: YLQIAO 2004/11/17		APPR: SCLOW 2004/12/06		DOCUMENT NUMBER		DOC TYPE	DOC PART
2 PLACES	± 0.2					SD-87891-013		PSD	001
1 PLACE	±							REVISION	B3
0 PLACES	±								
DRAFT WHERE APPLICABLE MUST REMAIN WITHIN DIMENSIONS		THIRD ANGLE PROJECTION	DRAWING	SERIES	MATERIAL NUMBER	CUSTOMER	SHEET NUMBER		
			A3-SIZE	87891	SEE TABLE	GENERAL MARKET	2 OF 8		

PACKAGING OPTION PART NO.			CKT SIZE	VOID POSITION	PLATING TYPE	DIMENSION				
TRAY	BULK	TUBE WITHOUT CAP				A	B	F	M	P
87891-0711	---	---	7	---	1	17.78	15.24	11.30	5.84	2.97
87891-0702	---	---	7	---	2	17.78	15.24	11.30	5.84	2.97
87891-0703	---	---	7	---	3	17.78	15.24	11.30	5.84	2.97
87891-0704	---	---	7	---	4	17.78	15.24	11.30	5.84	2.97
87891-0705	---	---	7	---	5	17.78	15.24	11.30	5.84	2.97
87891-0706	---	---	7	---	6	17.78	15.24	11.30	5.84	2.97
87891-0801	---	---	8	---	1	20.32	17.78	11.30	5.84	2.97
87891-0802	---	---	8	---	2	20.32	17.78	11.30	5.84	2.97
87891-0803	---	---	8	---	3	20.32	17.78	11.30	5.84	2.97
87891-0804	---	---	8	---	4	20.32	17.78	11.30	5.84	2.97
87891-0805	---	---	8	---	5	20.32	17.78	11.30	5.84	2.97
87891-0806	---	---	8	---	6	20.32	17.78	11.30	5.84	2.97
87891-0901	---	---	9	---	1	22.86	20.32	11.30	5.84	2.97
87891-0902	---	---	9	---	2	22.86	20.32	11.30	5.84	2.97
87891-0903	---	---	9	---	3	22.86	20.32	11.30	5.84	2.97
87891-0904	---	---	9	---	4	22.86	20.32	11.30	5.84	2.97
87891-0905	---	---	9	---	5	22.86	20.32	11.30	5.84	2.97
87891-0906	---	---	9	---	6	22.86	20.32	11.30	5.84	2.97


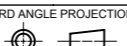
PACKAGING OPTION PART NO.			CKT SIZE	VOID POSITION	PLATING TYPE	DIMENSION				
TRAY	BULK	TUBE WITHOUT CAP				A	B	F	M	P
87891-1001	---	---	10	---	1	25.40	22.86	11.30	5.84	2.97
87891-1002	---	---	10	---	2	25.40	22.86	11.30	5.84	2.97
87891-1003	---	---	10	---	3	25.40	22.86	11.30	5.84	2.97
87891-1004	---	---	10	---	4	25.40	22.86	11.30	5.84	2.97
87891-1005	---	---	10	---	5	25.40	22.86	11.30	5.84	2.97
87891-1006	---	---	10	---	6	25.40	22.86	11.30	5.84	2.97
87891-1101	---	---	11	---	1	27.94	25.40	11.30	5.84	2.97
87891-1102	---	---	11	---	2	27.94	25.40	11.30	5.84	2.97
87891-1103	---	---	11	---	3	27.94	25.40	11.30	5.84	2.97
87891-1104	---	---	11	---	4	27.94	25.40	11.30	5.84	2.97
87891-1105	---	---	11	---	5	27.94	25.40	11.30	5.84	2.97
87891-1106	---	---	11	---	6	27.94	25.40	11.30	5.84	2.97
87891-1201	---	---	12	---	1	30.48	27.94	11.30	5.84	2.97
87891-1202	---	---	12	---	2	30.48	27.94	11.30	5.84	2.97
87891-1203	---	---	12	---	3	30.48	27.94	11.30	5.84	2.97
87891-1204	---	---	12	---	4	30.48	27.94	11.30	5.84	2.97
87891-1205	---	---	12	---	5	30.48	27.94	11.30	5.84	2.97
87891-1206	---	---	12	---	6	30.48	27.94	11.30	5.84	2.97

THIS DRAWING CONTAINS INFORMATION THAT IS PROPRIETARY TO MOLEX ELECTRONIC TECHNOLOGIES, LLC AND SHOULD NOT BE USED WITHOUT WRITTEN PERMISSION									
DIMENSION UNITS		SCALE		CURRENT REV DESC: REMASTERED IN NX					
mm		NTS		 CUSTOMER HEADER 2.54MM PITCH, SINGLE ROW SINGLE WAFER, T/H HEADER					
GENERAL TOLERANCES (UNLESS SPECIFIED)									
ANGULAR TOL		± 3.0 °		EC NO: 622052		2019/08/06		DOCUMENT NUMBER	
4 PLACES		±		DRWN: GJEEVANSURES		2019/08/07		SD-87891-013	
3 PLACES		±		CHK'D: GJEEVANSURES		2019/08/07		DOC TYPE	
2 PLACES		± 0.2		APPR: ISHWARG		2019/08/09		DOC PART	
1 PLACE		±		INITIAL REVISION:		2004/11/17		REVISION	
0 PLACES		±		DRWN: YLQIAO		2004/12/06		B3	
DRAFT WHERE APPLICABLE MUST REMAIN WITHIN DIMENSIONS		THIRD ANGLE PROJECTION		DRAWING		SERIES		MATERIAL NUMBER	
				A3-SIZE		87891		CUSTOMER	
						SEE TABLE		GENERAL MARKET	
								SHEET NUMBER	
								3 OF 8	

DOCUMENT STATUS | P1 | RELEASE DATE | 2019/08/09 | 12:00:10

PACKAGING OPTION PART NO.			CKT SIZE	VOID POSITION	PLATING TYPE	DIMENSION				
TRAY	BULK	TUBE WITHOUT CAP				A	B	F	M	P
87891-1301	---	---	13	---	1	33.02	30.48	11.30	5.84	2.97
87891-1302	---	---	13	---	2	33.02	30.48	11.30	5.84	2.97
87891-1303	---	---	13	---	3	33.02	30.48	11.30	5.84	2.97
87891-1304	---	---	13	---	4	33.02	30.48	11.30	5.84	2.97
87891-1305	---	---	13	---	5	33.02	30.48	11.30	5.84	2.97
87891-1306	---	---	13	---	6	33.02	30.48	11.30	5.84	2.97
87891-1401	---	---	14	---	1	35.56	33.02	11.30	5.84	2.97
87891-1402	---	---	14	---	2	35.56	33.02	11.30	5.84	2.97
87891-1403	---	---	14	---	3	35.56	33.02	11.30	5.84	2.97
87891-1404	---	---	14	---	4	35.56	33.02	11.30	5.84	2.97
87891-1405	---	---	14	---	5	35.56	33.02	11.30	5.84	2.97
87891-1406	---	---	14	---	6	35.56	33.02	11.30	5.84	2.97
87891-1501	---	---	15	---	1	38.10	35.56	11.30	5.84	2.97
87891-1502	---	---	15	---	2	38.10	35.56	11.30	5.84	2.97
87891-1503	---	---	15	---	3	38.10	35.56	11.30	5.84	2.97
87891-1504	---	---	15	---	4	38.10	35.56	11.30	5.84	2.97
87891-1505	---	---	15	---	5	38.10	35.56	11.30	5.84	2.97
87891-1506	---	---	15	---	6	38.10	35.56	11.30	5.84	2.97

PACKAGING OPTION PART NO.			CKT SIZE	VOID POSITION	PLATING TYPE	DIMENSION				
TRAY	BULK	TUBE WITHOUT CAP				A	B	F	M	P
87891-1601	---	---	16	---	1	40.64	38.10	11.30	5.84	2.97
87891-1602	---	---	16	---	2	40.64	38.10	11.30	5.84	2.97
87891-1603	---	---	16	---	3	40.64	38.10	11.30	5.84	2.97
87891-1604	---	---	16	---	4	40.64	38.10	11.30	5.84	2.97
87891-1605	---	---	16	---	5	40.64	38.10	11.30	5.84	2.97
87891-1606	---	---	16	---	6	40.64	38.10	11.30	5.84	2.97
87891-1701	---	---	17	---	1	43.18	40.64	11.30	5.84	2.97
87891-1702	---	---	17	---	2	43.18	40.64	11.30	5.84	2.97
87891-1703	---	---	17	---	3	43.18	40.64	11.30	5.84	2.97
87891-1704	---	---	17	---	4	43.18	40.64	11.30	5.84	2.97
87891-1705	---	---	17	---	5	43.18	40.64	11.30	5.84	2.97
87891-1706	---	---	17	---	6	43.18	40.64	11.30	5.84	2.97
87891-1801	---	---	18	---	1	45.72	43.18	11.30	5.84	2.97
87891-1802	---	---	18	---	2	45.72	43.18	11.30	5.84	2.97
87891-1803	---	---	18	---	3	45.72	43.18	11.30	5.84	2.97
87891-1804	---	---	18	---	4	45.72	43.18	11.30	5.84	2.97
87891-1805	---	---	18	---	5	45.72	43.18	11.30	5.84	2.97
87891-1806	---	---	18	---	6	45.72	43.18	11.30	5.84	2.97

THIS DRAWING CONTAINS INFORMATION THAT IS PROPRIETARY TO MOLEX ELECTRONIC TECHNOLOGIES, LLC AND SHOULD NOT BE USED WITHOUT WRITTEN PERMISSION									
DIMENSION UNITS		SCALE		CURRENT REV DESC: REMASTERED IN NX					
mm		NTS		 CUSTOMER HEADER 2.54MM PITCH, SINGLE ROW SINGLE WAFER, T/H HEADER					
GENERAL TOLERANCES (UNLESS SPECIFIED)									
ANGULAR TOL		± 3.0 °		EC NO: 622052		2019/08/06		DOCUMENT NUMBER	
4 PLACES		±		DRWN: GJEEVANSURES		2019/08/07		PSD 001 B3	
3 PLACES		±		CHK'D: GJEEVANSURES		2019/08/07		DOC TYPE	
2 PLACES		± 0.2		APPR: ISHWARG		2019/08/09		DOC PART	
1 PLACE		±		INITIAL REVISION:		2004/11/17		REVISION	
0 PLACES		±		DRWN: YLQIAO		2004/12/06		SERIES	
DRAFT WHERE APPLICABLE MUST REMAIN WITHIN DIMENSIONS		THIRD ANGLE PROJECTION		DRAWING		MATERIAL NUMBER		CUSTOMER	
				A3-SIZE		87891		SEE TABLE	
						GENERAL MARKET		SHEET NUMBER	
						4 OF 8			


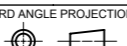
DOCUMENT STATUS	P1	RELEASE DATE	2019/08/09	12:00:10
-----------------	----	--------------	------------	----------



PACKAGING OPTION PART NO.			CKT SIZE	VOID POSITION	PLATING TYPE	DIMENSION				
TRAY	BULK	TUBE WITHOUT CAP				A	B	F	M	P
87891-1901	---	---	19	---	1	48.26	45.72	11.30	5.84	2.97
87891-1902	---	---	19	---	2	48.26	45.72	11.30	5.84	2.97
87891-1903	---	---	19	---	3	48.26	45.72	11.30	5.84	2.97
87891-1904	---	---	19	---	4	48.26	45.72	11.30	5.84	2.97
87891-1905	---	---	19	---	5	48.26	45.72	11.30	5.84	2.97
87891-1906	---	---	19	---	6	48.26	45.72	11.30	5.84	2.97
87891-2001	---	---	20	---	1	50.80	48.26	11.30	5.84	2.97
87891-2002	---	---	20	---	2	50.80	48.26	11.30	5.84	2.97
87891-2003	---	---	20	---	3	50.80	48.26	11.30	5.84	2.97
87891-2004	---	---	20	---	4	50.80	48.26	11.30	5.84	2.97
87891-2005	---	---	20	---	5	50.80	48.26	11.30	5.84	2.97
87891-2006	---	---	20	---	6	50.80	48.26	11.30	5.84	2.97
87891-2101	---	---	21	---	1	53.34	50.80	11.30	5.84	2.97
87891-2102	---	---	21	---	2	53.34	50.80	11.30	5.84	2.97
87891-2103	---	---	21	---	3	53.34	50.80	11.30	5.84	2.97
87891-2104	---	---	21	---	4	53.34	50.80	11.30	5.84	2.97
87891-2105	---	---	21	---	5	53.34	50.80	11.30	5.84	2.97
87891-2106	---	---	21	---	6	53.34	50.80	11.30	5.84	2.97


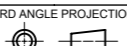
PACKAGING OPTION PART NO.			CKT SIZE	VOID POSITION	PLATING TYPE	DIMENSION				
TRAY	BULK	TUBE WITHOUT CAP				A	B	F	M	P
87891-2201	---	---	22	---	1	55.88	53.34	11.30	5.84	2.97
87891-2202	---	---	22	---	2	55.88	53.34	11.30	5.84	2.97
87891-2203	---	---	22	---	3	55.88	53.34	11.30	5.84	2.97
87891-2204	---	---	22	---	4	55.88	53.34	11.30	5.84	2.97
87891-2205	---	---	22	---	5	55.88	53.34	11.30	5.84	2.97
87891-2206	---	---	22	---	6	55.88	53.34	11.30	5.84	2.97
87891-2301	---	---	23	---	1	58.42	55.88	11.30	5.84	2.97
87891-2302	---	---	23	---	2	58.42	55.88	11.30	5.84	2.97
87891-2303	---	---	23	---	3	58.42	55.88	11.30	5.84	2.97
87891-2304	---	---	23	---	4	58.42	55.88	11.30	5.84	2.97
87891-2305	---	---	23	---	5	58.42	55.88	11.30	5.84	2.97
87891-2306	---	---	23	---	6	58.42	55.88	11.30	5.84	2.97
87891-2401	---	---	24	---	1	60.96	58.42	11.30	5.84	2.97
87891-2402	---	---	24	---	2	60.96	58.42	11.30	5.84	2.97
87891-2403	---	---	24	---	3	60.96	58.42	11.30	5.84	2.97
87891-2404	---	---	24	---	4	60.96	58.42	11.30	5.84	2.97
87891-2405	---	---	24	---	5	60.96	58.42	11.30	5.84	2.97
87891-2406	---	---	24	---	6	60.96	58.42	11.30	5.84	2.97

DOCUMENT STATUS | P1 | RELEASE DATE | 2019/08/09 | 12:00:10

THIS DRAWING CONTAINS INFORMATION THAT IS PROPRIETARY TO MOLEX ELECTRONIC TECHNOLOGIES, LLC AND SHOULD NOT BE USED WITHOUT WRITTEN PERMISSION									
DIMENSION UNITS		SCALE		CURRENT REV DESC: REMASTERED IN NX					
mm		NTS		 CUSTOM HEADER 2.54MM PITCH, SINGLE ROW SINGLE WAFER, T/H HEADER					
GENERAL TOLERANCES (UNLESS SPECIFIED)									
ANGULAR TOL		± 3.0 °		EC NO: 622052		2019/08/06		DOCUMENT NUMBER	
4 PLACES		±		DRWN: GJEEVANSURES		2019/08/07		PSD 001 B3	
3 PLACES		±		CHK'D: GJEEVANSURES		2019/08/07		DOC TYPE   DOC PART   REVISION	
2 PLACES		± 0.2		APPR: ISHWARG		2019/08/09		PRODUCT CUSTOMER DRAWING	
1 PLACE		±		INITIAL REVISION:		2004/11/17		MATERIAL NUMBER	
0 PLACES		±		DRWN: YLQIAO		2004/12/06		CUSTOMER	
DRAFT WHERE APPLICABLE MUST REMAIN WITHIN DIMENSIONS				THIRD ANGLE PROJECTION		DRAWING		SERIES	
						A3-SIZE		87891	
						SEE TABLE		GENERAL MARKET	
								SHEET NUMBER	
								5 OF 8	


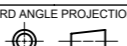
PACKAGING OPTION PART NO.			CKT SIZE	VOID POSITION	PLATING TYPE	DIMENSION				
TRAY	BULK	TUBE WITHOUT CAP				A	B	F	M	P
87891-2501	---	---	25	---	1	63.50	60.96	11.30	5.84	2.97
87891-2502	---	---	25	---	2	63.50	60.96	11.30	5.84	2.97
87891-2503	---	---	25	---	3	63.50	60.96	11.30	5.84	2.97
87891-2504	---	---	25	---	4	63.50	60.96	11.30	5.84	2.97
87891-2505	---	---	25	---	5	63.50	60.96	11.30	5.84	2.97
87891-2506	---	---	25	---	6	63.50	60.96	11.30	5.84	2.97
---	87891-2611	---	26	---	1	66.04	63.50	11.30	5.84	2.97
---	87891-2602	---	26	---	2	66.04	63.50	11.30	5.84	2.97
---	87891-2603	---	26	---	3	66.04	63.50	11.30	5.84	2.97
---	87891-2604	---	26	---	4	66.04	63.50	11.30	5.84	2.97
---	87891-2605	---	26	---	5	66.04	63.50	11.30	5.84	2.97
---	87891-2606	---	26	---	6	66.04	63.50	11.30	5.84	2.97
---	87891-2701	---	27	---	1	68.58	66.04	11.30	5.84	2.97
---	87891-2702	---	27	---	2	68.58	66.04	11.30	5.84	2.97
---	87891-2703	---	27	---	3	68.58	66.04	11.30	5.84	2.97
---	87891-2704	---	27	---	4	68.58	66.04	11.30	5.84	2.97
---	87891-2705	---	27	---	5	68.58	66.04	11.30	5.84	2.97
---	87891-2706	---	27	---	6	68.58	66.04	11.30	5.84	2.97

PACKAGING OPTION PART NO.			CKT SIZE	VOID POSITION	PLATING TYPE	DIMENSION				
TRAY	BULK	TUBE WITHOUT CAP				A	B	F	M	P
---	87891-2801	---	28	---	1	71.12	68.58	11.30	5.84	2.97
---	87891-2802	---	28	---	2	71.12	68.58	11.30	5.84	2.97
---	87891-2803	---	28	---	3	71.12	68.58	11.30	5.84	2.97
---	87891-2804	---	28	---	4	71.12	68.58	11.30	5.84	2.97
---	87891-2805	---	28	---	5	71.12	68.58	11.30	5.84	2.97
---	87891-2806	---	28	---	6	71.12	68.58	11.30	5.84	2.97
---	87891-2901	---	29	---	1	73.66	71.12	11.30	5.84	2.97
---	87891-2902	---	29	---	2	73.66	71.12	11.30	5.84	2.97
---	87891-2903	---	29	---	3	73.66	71.12	11.30	5.84	2.97
---	87891-2904	---	29	---	4	73.66	71.12	11.30	5.84	2.97
---	87891-2905	---	29	---	5	73.66	71.12	11.30	5.84	2.97
---	87891-2906	---	29	---	6	73.66	71.12	11.30	5.84	2.97
---	87891-3001	---	30	---	1	76.20	73.66	11.30	5.84	2.97
---	87891-3002	---	30	---	2	76.20	73.66	11.30	5.84	2.97
---	87891-3003	---	30	---	3	76.20	73.66	11.30	5.84	2.97
---	87891-3004	---	30	---	4	76.20	73.66	11.30	5.84	2.97
---	87891-3005	---	30	---	5	76.20	73.66	11.30	5.84	2.97
---	87891-3006	---	30	---	6	76.20	73.66	11.30	5.84	2.97

THIS DRAWING CONTAINS INFORMATION THAT IS PROPRIETARY TO MOLEX ELECTRONIC TECHNOLOGIES, LLC AND SHOULD NOT BE USED WITHOUT WRITTEN PERMISSION									
DIMENSION UNITS		SCALE		CURRENT REV DESC: REMASTERED IN NX					
mm		NTS		 <p>CUSTOM HEADER 2.54MM PITCH, SINGLE ROW SINGLE WAFER, T/H HEADER</p>					
GENERAL TOLERANCES (UNLESS SPECIFIED)									
ANGULAR TOL		± 3.0 °		EC NO: 622052		2019/08/06		PRODUCT CUSTOMER DRAWING	
4 PLACES		±		DRWN: GJEEVANSURES		2019/08/07		DOCUMENT NUMBER	
3 PLACES		±		CHK'D: GJEEVANSURES		2019/08/07		DOC TYPE	
2 PLACES		± 0.2		APPR: ISHWARG		2019/08/09		DOC PART	
1 PLACE		±		INITIAL REVISION:		2004/11/17		REVISION	
0 PLACES		±		DRWN: YLQIAO		2004/12/06		SD-87891-013	
DRAFT WHERE APPLICABLE MUST REMAIN WITHIN DIMENSIONS		THIRD ANGLE PROJECTION		DRAWING		SERIES		MATERIAL NUMBER	
				A3-SIZE		87891		CUSTOMER	
								GENERAL MARKET	
								SEE TABLE	
								SHEET NUMBER	
								6 OF 8	

PACKAGING OPTION PART NO.			CKT SIZE	VOID POSITION	PLATING TYPE	DIMENSION				
TRAY	BULK	TUBE WITHOUT CAP				A	B	F	M	P
---	87891-3101	---	31	---	1	78.74	76.20	11.30	5.84	2.97
---	87891-3102	---	31	---	2	78.74	76.20	11.30	5.84	2.97
---	87891-3103	---	31	---	3	78.74	76.20	11.30	5.84	2.97
---	87891-3104	---	31	---	4	78.74	76.20	11.30	5.84	2.97
---	87891-3105	---	31	---	5	78.74	76.20	11.30	5.84	2.97
---	87891-3106	---	31	---	6	78.74	76.20	11.30	5.84	2.97
---	87891-3201	---	32	---	1	81.28	78.74	11.30	5.84	2.97
---	87891-3202	---	32	---	2	81.28	78.74	11.30	5.84	2.97
---	87891-3203	---	32	---	3	81.28	78.74	11.30	5.84	2.97
---	87891-3204	---	32	---	4	81.28	78.74	11.30	5.84	2.97
---	87891-3205	---	32	---	5	81.28	78.74	11.30	5.84	2.97
---	87891-3206	---	32	---	6	81.28	78.74	11.30	5.84	2.97
---	87891-3301	---	33	---	1	83.82	81.28	11.30	5.84	2.97
---	87891-3302	---	33	---	2	83.82	81.28	11.30	5.84	2.97
---	87891-3303	---	33	---	3	83.82	81.28	11.30	5.84	2.97
---	87891-3304	---	33	---	4	83.82	81.28	11.30	5.84	2.97
---	87891-3305	---	33	---	5	83.82	81.28	11.30	5.84	2.97
---	87891-3306	---	33	---	6	83.82	81.28	11.30	5.84	2.97


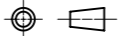
PACKAGING OPTION PART NO.			CKT SIZE	VOID POSITION	PLATING TYPE	DIMENSION				
TRAY	BULK	TUBE WITHOUT CAP				A	B	F	M	P
---	87891-3401	---	34	---	1	86.36	83.82	11.30	5.84	2.97
---	87891-3402	---	34	---	2	86.36	83.82	11.30	5.84	2.97
---	87891-3403	---	34	---	3	86.36	83.82	11.30	5.84	2.97
---	87891-3404	---	34	---	4	86.36	83.82	11.30	5.84	2.97
---	87891-3405	---	34	---	5	86.36	83.82	11.30	5.84	2.97
---	87891-3406	---	34	---	6	86.36	83.82	11.30	5.84	2.97
---	87891-3501	---	35	---	1	88.90	86.36	11.30	5.84	2.97
---	87891-3502	---	35	---	2	88.90	86.36	11.30	5.84	2.97
---	87891-3503	---	35	---	3	88.90	86.36	11.30	5.84	2.97
---	87891-3504	---	35	---	4	88.90	86.36	11.30	5.84	2.97
---	87891-3505	---	35	---	5	88.90	86.36	11.30	5.84	2.97
---	87891-3506	---	35	---	6	88.90	86.36	11.30	5.84	2.97
---	87891-3611	---	36	---	1	91.44	88.90	11.30	5.84	2.97
---	87891-3602	---	36	---	2	91.44	88.90	11.30	5.84	2.97
---	87891-3603	---	36	---	3	91.44	88.90	11.30	5.84	2.97
---	87891-3604	---	36	---	4	91.44	88.90	11.30	5.84	2.97
---	87891-3605	---	36	---	5	91.44	88.90	11.30	5.84	2.97
---	87891-3606	---	36	---	6	91.44	88.90	11.30	5.84	2.97

THIS DRAWING CONTAINS INFORMATION THAT IS PROPRIETARY TO MOLEX ELECTRONIC TECHNOLOGIES, LLC AND SHOULD NOT BE USED WITHOUT WRITTEN PERMISSION									
DIMENSION UNITS		SCALE		CURRENT REV DESC: REMASTERED IN NX					
mm		NTS		 <p>CUSTOM HEADER 2.54MM PITCH, SINGLE ROW SINGLE WAFER, T/H HEADER</p>					
GENERAL TOLERANCES (UNLESS SPECIFIED)									
ANGULAR TOL		± 3.0 °		EC NO: 622052		2019/08/06		PRODUCT CUSTOMER DRAWING	
4 PLACES		±		DRWN: GJEEVANSURES		2019/08/07		DOCUMENT NUMBER	
3 PLACES		±		CHK'D: GJEEVANSURES		2019/08/07		SD-87891-013	
2 PLACES		± 0.2		APPR: ISHWARG		2019/08/09		DOC TYPE	
1 PLACE		±		INITIAL REVISION:		2004/11/17		DOC PART	
0 PLACES		±		DRWN: YLQIAO		2004/12/06		REVISION	
DRAFT WHERE APPLICABLE MUST REMAIN WITHIN DIMENSIONS		THIRD ANGLE PROJECTION		DRAWING		SERIES		SHEET NUMBER	
				A3-SIZE		87891		7 OF 8	
				MATERIAL NUMBER		CUSTOMER			
				SEE TABLE		GENERAL MARKET			

DOCUMENT STATUS	P1	RELEASE DATE	2019/08/09	12:00:10
-----------------	----	--------------	------------	----------

PACKAGING OPTION PART NO.			CKT SIZE	VOID POSITION	PLATING TYPE	DIMENSION				
TRAY	BULK	TUBE WITHOUT CAP				A	B	F	M	P
---	87891-3701	---	37	---	1	93.98	91.44	11.30	5.84	2.97
---	87891-3702	---	37	---	2	93.98	91.44	11.30	5.84	2.97
---	87891-3703	---	37	---	3	93.98	91.44	11.30	5.84	2.97
---	87891-3704	---	37	---	4	93.98	91.44	11.30	5.84	2.97
---	87891-3705	---	37	---	5	93.98	91.44	11.30	5.84	2.97
---	87891-3706	---	37	---	6	93.98	91.44	11.30	5.84	2.97
---	87891-3801	---	38	---	1	96.52	93.98	11.30	5.84	2.97
---	87891-3802	---	38	---	2	96.52	93.98	11.30	5.84	2.97
---	87891-3803	---	38	---	3	96.52	93.98	11.30	5.84	2.97
---	87891-3804	---	38	---	4	96.52	93.98	11.30	5.84	2.97
---	87891-3805	---	38	---	5	96.52	93.98	11.30	5.84	2.97
---	87891-3806	---	38	---	6	96.52	93.98	11.30	5.84	2.97
---	87891-3901	---	39	---	1	99.06	96.52	11.30	5.84	2.97
---	87891-3902	---	39	---	2	99.06	96.52	11.30	5.84	2.97
---	87891-3903	---	39	---	3	99.06	96.52	11.30	5.84	2.97
---	87891-3904	---	39	---	4	99.06	96.52	11.30	5.84	2.97
---	87891-3905	---	39	---	5	99.06	96.52	11.30	5.84	2.97
---	87891-3906	---	39	---	6	99.06	96.52	11.30	5.84	2.97

PACKAGING OPTION PART NO.			CKT SIZE	VOID POSITION	PLATING TYPE	DIMENSION				
TRAY	BULK	TUBE WITHOUT CAP				A	B	F	M	P
---	87891-4001	---	40	---	1	101.60	99.06	11.30	5.84	2.97
---	87891-4002	---	40	---	2	101.60	99.06	11.30	5.84	2.97
---	87891-4003	---	40	---	3	101.60	99.06	11.30	5.84	2.97
---	87891-4004	---	40	---	4	101.60	99.06	11.30	5.84	2.97
---	87891-4005	---	40	---	5	101.60	99.06	11.30	5.84	2.97
---	87891-4006	---	40	---	6	101.60	99.06	11.30	5.84	2.97

THIS DRAWING CONTAINS INFORMATION THAT IS PROPRIETARY TO MOLEX ELECTRONIC TECHNOLOGIES, LLC AND SHOULD NOT BE USED WITHOUT WRITTEN PERMISSION									
DIMENSION UNITS		SCALE		CURRENT REV DESC: REMASTERED IN NX					
mm		NTS							
GENERAL TOLERANCES (UNLESS SPECIFIED)				EC NO: 622052				CUSTOM HEADER 2.54MM PITCH, SINGLE ROW SINGLE WAFER, T/H HEADER	
ANGULAR TOL ± 3.0 °				DRWN: GJEEVANSURES 2019/08/06					
4 PLACES ±				CHK'D: GJEEVANSURES 2019/08/07					
3 PLACES ±				APPR: ISHWARG 2019/08/09				PRODUCT CUSTOMER DRAWING	
2 PLACES ± 0.2				INITIAL REVISION:				DOCUMENT NUMBER	
1 PLACE ±				DRWN: YLQIAO 2004/11/17				SD-87891-013	
0 PLACES ±				APPR: SCLOW 2004/12/06				DOC TYPE DOC PART REVISION	
DRAFT WHERE APPLICABLE MUST REMAIN WITHIN DIMENSIONS				THIRD ANGLE PROJECTION		DRAWING		SERIES	
						A3-SIZE		87891	
				MATERIAL NUMBER		CUSTOMER		SHEET NUMBER	
				SEE TABLE		GENERAL MARKET		8 OF 8	

DOCUMENT STATUS	P1	RELEASE DATE	2019/08/09	12:00:10
-----------------	----	--------------	------------	----------