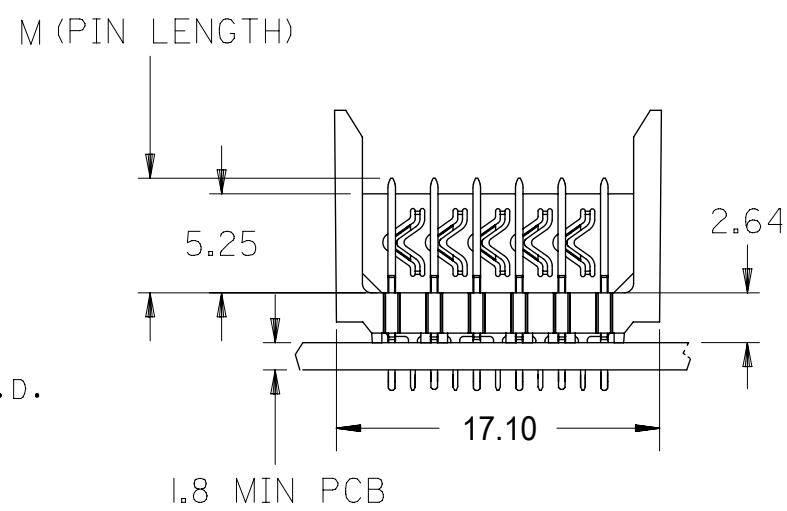
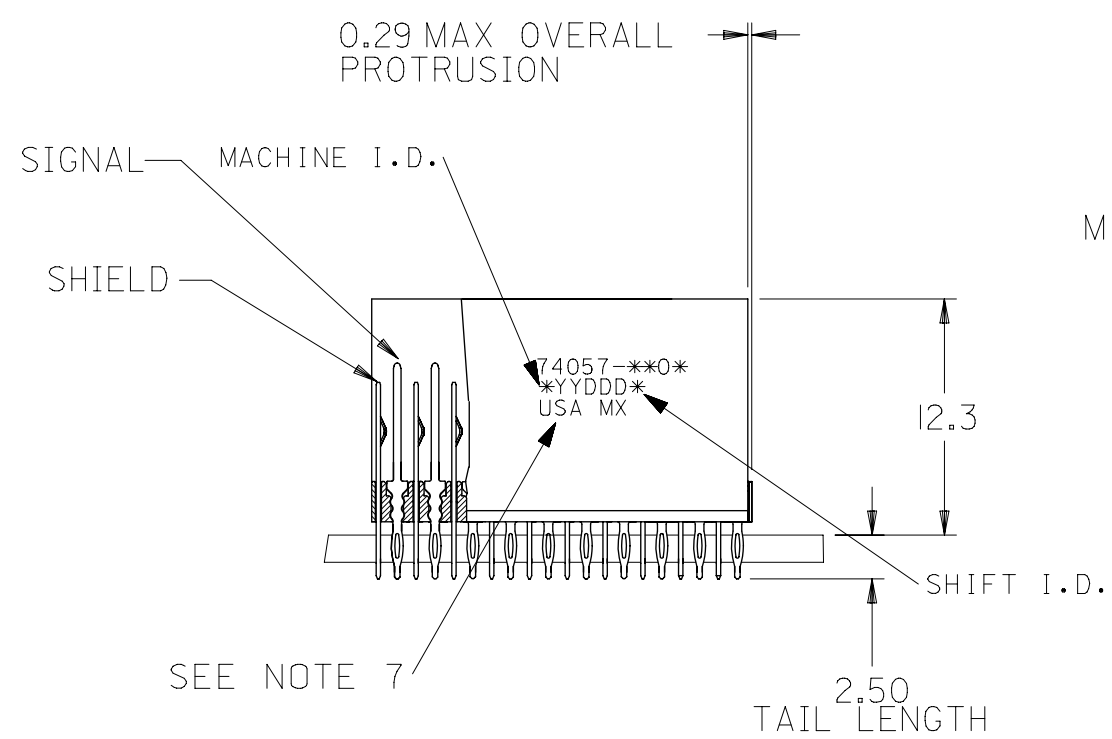


BACKPLANE HOLE PATTERN
RECOMMENDED DIMENSIONS



NOTES:

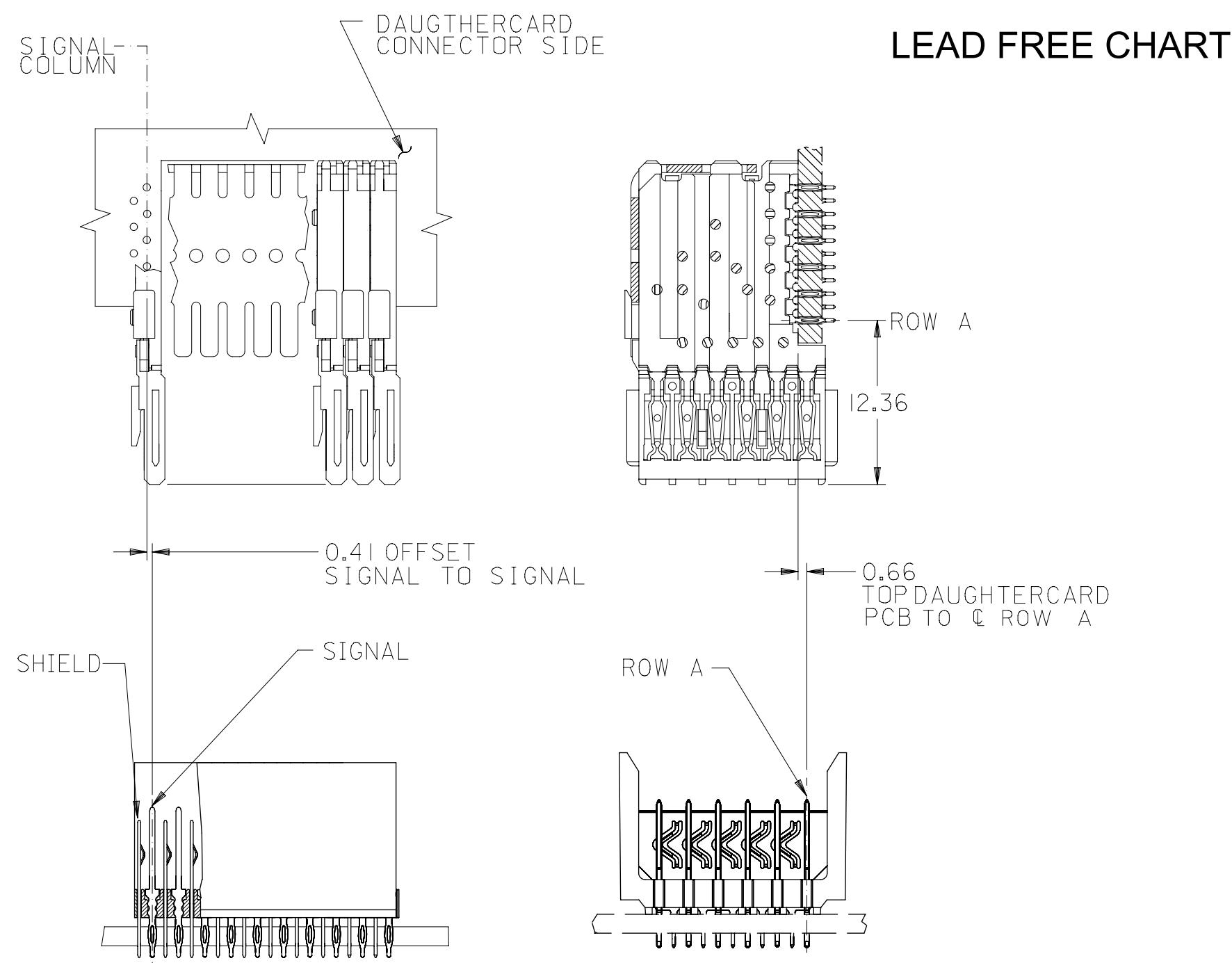
- MATERIALS:
HOUSING - LIQUID CRYSTAL POLYMER (LCP),
GLASS-FILLED, UL 94V-0, COLOR: BLACK
SIGNAL PIN & SHIELD - COPPER ALLOY
- FINISHES:
CONTACT AREA: SELECTIVE GOLD (Au)
PCB TAILS: SELECTIVE MATTE TIN (Sn)
NICKEL (Ni) OVERALL.
- THIS PART CONFORMS TO MOLEX PRODUCT SPECIFICATION PS-74031-999
- FOR MIXED CONTACT LENGTHS CONSULT MOLEX FOR AVAILABILITY
- FOR SPECIFIC MATERIAL NUMBERS & MATING INFORMATION REFER TO SHEET 2
- PACKAGE PER PK-74057-003
- EITHER MARK PART WITH PART NUMBER & DATE CODE APPROXIMATELY WHERE SHOWN OR PLACE LABEL ON THE TUBE.
- MAPS (MOLEX ADVANCED PLATING SYSTEM)

THIS DRAWING CONTAINS INFORMATION THAT IS PROPRIETARY TO MOLEX ELECTRONIC TECHNOLOGIES, LLC AND SHOULD NOT BE USED WITHOUT WRITTEN PERMISSION									
DIMENSION UNITS		SCALE		CURRENT REV DESC: OBSOLETE PART NUMBER					
mm		2.5:1		<p>molex</p> <p>VHDM 6 ROW OPEN END BACKPLANE SALES ASSEMBLY</p> <p>PRODUCT CUSTOMER DRAWING</p> <p>DOCUMENT NUMBER: SD-74057-002 DOC TYPE: PSD DOC PART: 001 REVISION: N1</p> <p>EC NO: 638770 DRWN: VLOKESHA 2020/03/12 CHK'D: GGA 2020/07/21 APPR: GGA 2020/07/21</p> <p>INITIAL REVISION: DRWN: MWANG 1998/11/09 APPR: SMILLER 2012/05/23</p> <p>DRAFT WHERE APPLICABLE MUST REMAIN WITHIN DIMENSIONS</p>					
GENERAL TOLERANCES (UNLESS SPECIFIED)									
	MM		INCH						
4 PLACES	±		±						
3 PLACES	±		±						
2 PLACES	±	0.25	±						
1 PLACE	±	0.38	±						
0 PLACES	±		±						
ANGULAR TOL		± 0.5 °		THIRD ANGLE PROJECTION		DRAWING		SERIES	
				C-SIZE		74057		MATERIAL NUMBER: SEE TABLE	
								CUSTOMER: GENERAL MARKET	
								SHEET NUMBER: 1 OF 2	

PART NUMBER	COLUMN	NUMBER OF SIGNAL PIN	NUMBER OF SHIELD	A	B	M	GOLD THICKNESS MICROMETER	TIN THICKNESS MICROMETER
74057-6001	10	60	10	20.00	18.00	4.75	0.25 MAPS	0.76-1.52
74057-9001							0.76	
74057-9006							1.27	
74057-6501	15	90	15	30.00	28.00		0.25 MAPS	
74057-9501							0.76	
74057-9506							1.27	
74057-7001	25	150	25	50.00	48.00	0.25 MAPS		
74057-8506						1.27		
74057-6002	10	60	10	20.00	18.00	6.25	0.25 MAPS	
74057-9002							0.76	
74057-9007							1.27	
74057-6502	15	90	15	30.00	28.00		0.25 MAPS	
74057-9502							0.76	
74057-9507							1.27	
74057-7002	25	150	25	50.00	48.00	0.25 MAPS		
74057-8502						0.76		
74057-8507	10	60	10	20.00	18.00	4.25	1.27	
74057-6003							0.25 MAPS	
74057-9003							0.76	
74057-9008	15	90	15	30.00	28.00		0.25 MAPS	
74057-6503							0.76	
74057-9503							1.27	
74057-9508	25	150	25	50.00	48.00	0.25 MAPS		
74057-7003						1.27		
74057-8503	10	60	10	20.00	18.00	5.15	0.76	
74057-8508							1.27	
74057-6004							0.25 MAPS	
74057-9009	15	90	15	30.00	28.00		1.27	
74057-6504							0.25 MAPS	
74057-9504							0.76	
74057-9509	25	150	25	50.00	48.00	1.27		
74057-8504						0.76		
74057-8509							1.27	

PART NUMBER	COLUMN	NUMBER OF SIGNAL PIN	NUMBER OF SHIELD	A	B	M	GOLD THICKNESS MICROMETER	TIN THICKNESS MICROMETER
74057-1001	10	60	10	20.00	18.00	4.75	0.76	0.76-1.52
74057-1006							1.27	
74057-1501							15	
74057-1506	1.27							
74057-2506	1.27							
74057-1002	10	60	10	20.00	18.00		6.25	
74057-1502	15	90	15	30.00	28.00	0.76		
74057-1507	10	60	10	20.00	18.00	4.25	1.27	
74057-1008							0.76	
74057-1503							15	
74057-1508	1.27							
74057-2508	1.27							
74057-1004	10	60	10	20.00	18.00		5.15	
74057-1009						1.27		
74057-1504	15	90	15	30.00	28.00	0.76		
74057-1509						1.27		
74057-2504	25	150	25	50.00	48.00	0.76		

**LEAD FREE
(FORMERLY TIN/LEAD) CHART**



74057 — * * 0 *

NUMBER OF COLUMNS/PLATING: 10 = 10 COLUMN MATTE TIN (FORMERLY TIN/LEAD), 15 = 15 COLUMN MATTE TIN (FORMERLY TIN/LEAD), 25 = 25 COLUMN MATTE TIN (FORMERLY TIN/LEAD), 60 = 10 COLUMN MATTE TIN (MAPS), 65 = 15 COLUMN MATTE TIN (MAPS), 70 = 25 COLUMN MATTE TIN (MAPS), 90 = 10 COLUMN MATTE TIN, 95 = 15 COLUMN MATTE TIN, 85 = 25 COLUMN MATTE TIN.

PIN HEIGHT: 1 & 6 = 4.75, 2 & 7 = 6.25, 3 & 8 = 4.25, 4 & 9 = 5.15.

THIS DRAWING CONTAINS INFORMATION THAT IS PROPRIETARY TO MOLEX ELECTRONIC TECHNOLOGIES, LLC AND SHOULD NOT BE USED WITHOUT WRITTEN PERMISSION									
DIMENSION UNITS: mm		SCALE: 2.5:1		CURRENT REV DESC: OBSOLETE PART NUMBER				molex	
GENERAL TOLERANCES (UNLESS SPECIFIED)				EC NO: 638770					
4 PLACES	±	MM	INCH	DRWN: VLOKESHA		2020/03/12		VHDM 6 ROW OPEN END BACKPLANE SALES ASSEMBLY	
3 PLACES	±			CHK'D: GGA		2020/07/21		PRODUCT CUSTOMER DRAWING	
2 PLACES	± 0.25			APPR: GGA		2020/07/21		DOCUMENT NUMBER: SD-74057-002	
1 PLACE	± 0.38			INITIAL REVISION:				DOC TYPE: PSD	
0 PLACES	±			DRWN: MWANG		1998/11/09		DOC PART: 001	
ANGULAR TOL ± 0.5 °		THIRD ANGLE PROJECTION		APPR: SMILLER		2012/05/23		REVISION: N1	
DRAFT WHERE APPLICABLE MUST REMAIN WITHIN DIMENSIONS		DRAWING: C-SIZE		SERIES: 74057		MATERIAL NUMBER: SEE TABLE		CUSTOMER: GENERAL MARKET	
								SHEET NUMBER: 2 OF 2	