

SPECIFICATIONS

SHALL BE REFERED TO 090- II SEALED CONN. (P.44), 187 SEALED CONN. (P.56), AND 312 SEALED CONN. (P.60).

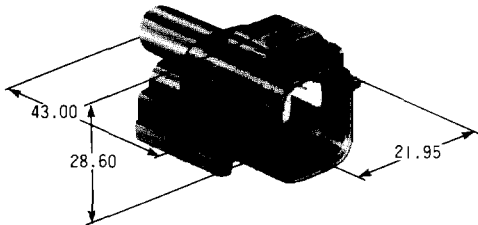
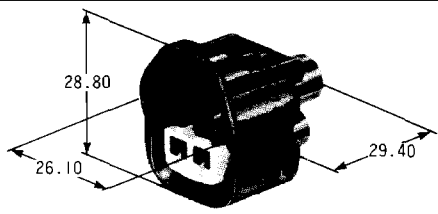
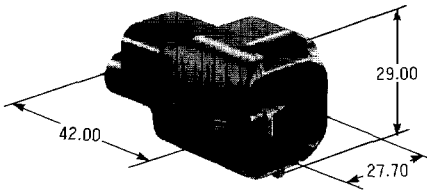
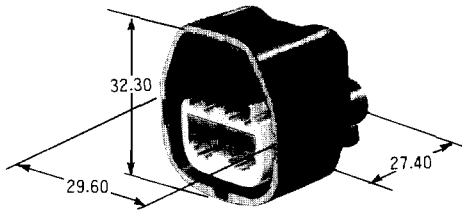
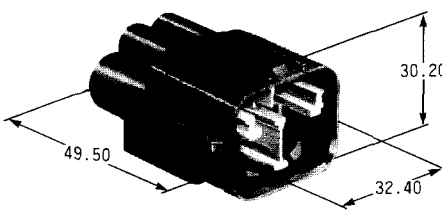
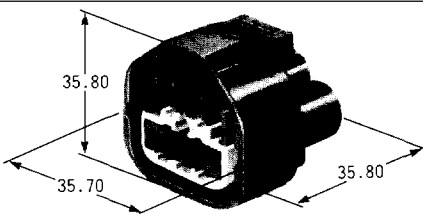
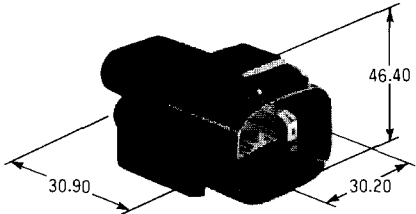
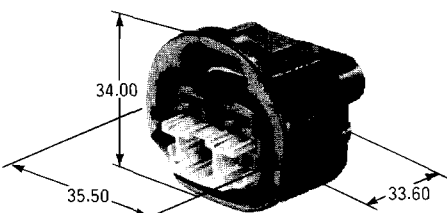
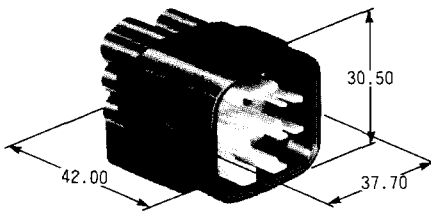
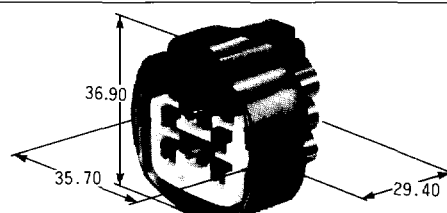
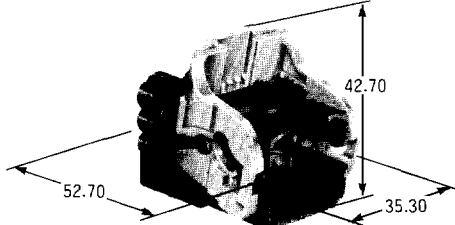
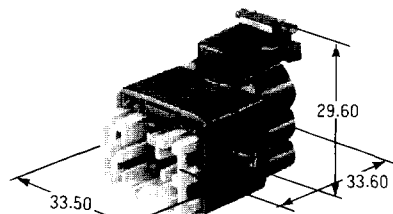
PART NUMBER CHART

TERMINAL SHALL BE REFERED TO 090- II SEALED CONN.(P.46), 187 SEALED CONN.(P.57), AND 312 SEALED CONN.(P.61).

PART NAME	POLES			MALE CONNECTOR	FEMALE CONNECTOR	
	090II	187	312			
HOUSING	3	2P	1P	7282-7032-30	7283-7032-30	
	4	2P	2P	7282-1047-40	7283-1047-40	
	4		2P	2P	7282-7046-30	7283-7046-30
	5	2P	3P		7282-7350-30	7283-7350-30
	8	6P	2P		7282-7081-40	7283-7081-40
	8	6P	2P		7282-1286-30	7283-1286-30

HOUSING MATERIAL: PBT

UNIT: mm

POLES		MALE HOUSING	FEMALE HOUSING
3	090II 2P + 187 1P	 <p>7282-7032-30</p>	 <p>7283-7032-30</p>
4	090II 2P + 187 2P	 <p>7282-1047-40</p>	 <p>7283-1047-40</p>
4	187 2P + 312 2P	 <p>7282-7046-30</p>	 <p>7283-7046-30</p>
5	090II 2P + 187 3P	 <p>7282-7350-30</p>	 <p>7283-7350-30</p>
8	090II 6P + 187 2P	 <p>7282-7081-40</p>	 <p>7283-7081-40</p>
8	090II 6P + 187 2P	 <p>7282-1286-30</p>	 <p>7283-1286-30</p>