

# 187 SEALED CONN.



## **187 SEALED CONNECTOR**

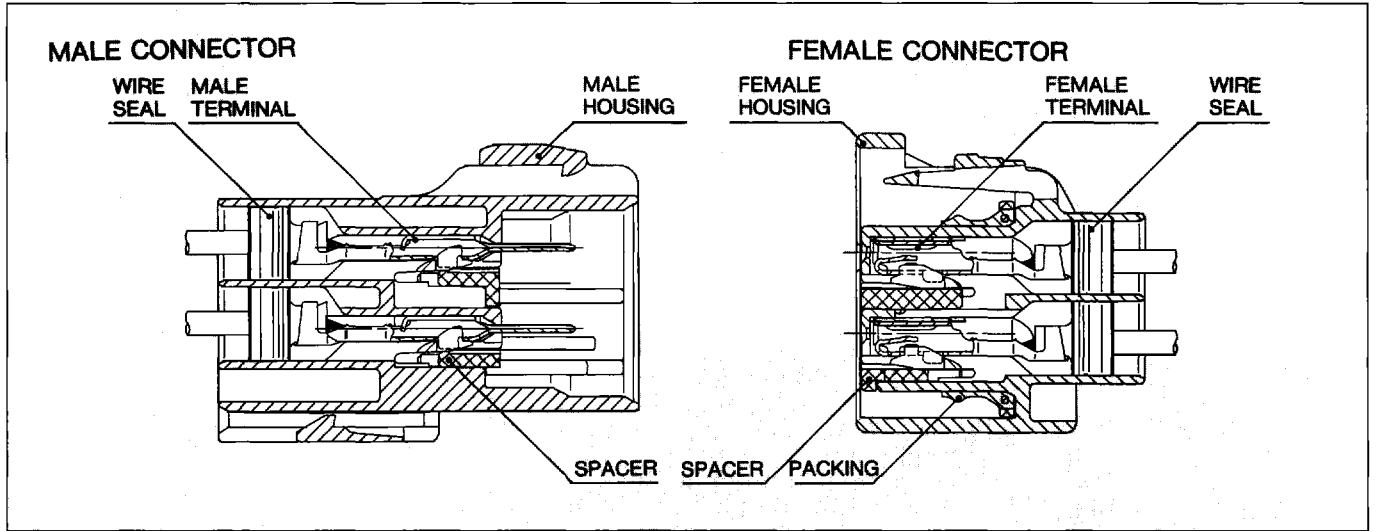
**IMPROVED DESIGN OF THE 250 SIZE SEALED CONNECTOR FOR HIGHER RELIABILITY.**

**THE BLADE WIDTH OF THE MALE TERMINAL FOR THIS CONNECTOR IS 0.187 INCHES.**

### **(DISTINCTIVE FEATURES)**

1. DOUBLE TERMINAL LOCKING SYSTEM ELIMINATES TERMINAL PUSH-OUT.  
(HOUSING LANCE, SIDE LOCK).
2. CONNECTORS CANNOT BE MATED IF PRESET TERMINAL SPACER IS NOT IN THE FULL-LOCK POSITION.

## CONSTRUCTION



## SPECIFICATIONS

MATERIAL	HOUSING	PBT
	MALE TERMINAL	BRASS (TIN PLATING)
	FEMALE TERMINAL	BRASS (TIN PLATING). COPPER ALLOY (TIN PLATING)
*CURRENT CAPACITY (REFERENCE)		20A
RESISTANCE AT LOW VOLTAGE		3mΩ MAX. (INITIAL VALUE)
INSULATION RESISTANCE		DC500V 100MΩ MIN.
DIELECTRIC STRENGTH		AC1000V (1 min.)

\*CURRENT CAPACITY WILL BE AFFECTED BY CONDITIONS SUCH AS POLE QUANTITY, WIRE SIZE, AMBIENT TEMPERATURE, ETC.

## PART NUMBER CHART

PART NAME	MALE TERMINAL	FEMALE TERMINAL
TERMINAL	7114-4035	7116-4035
	7114-4036	7116-4036
	7114-4037	7116-4037

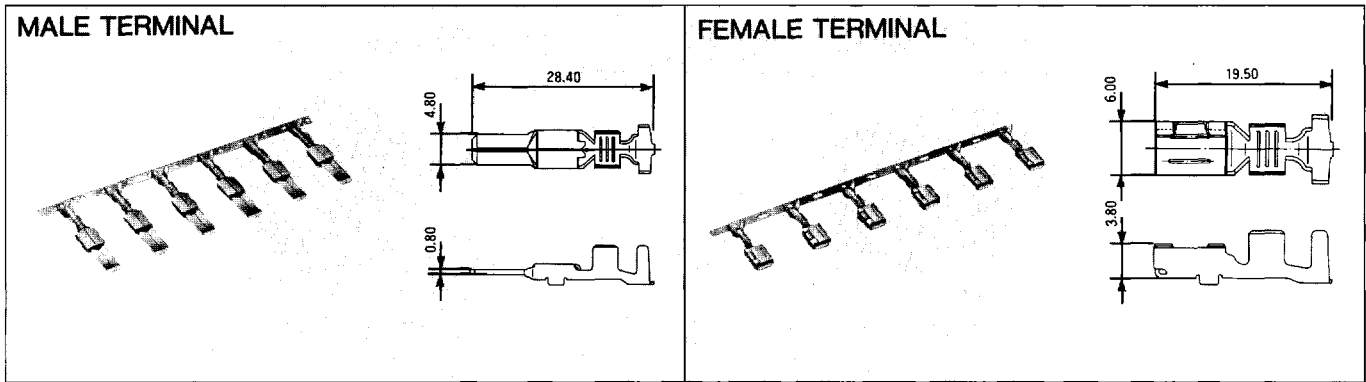
PART NAME	COMMON FOR MALE AND FEMALE
WIRE SEAL	7157-3850
	7157-3852
	7157-8763 (CAVITY PLUG)

PART NAME	POLES	MALE CONNECTOR	FEMALE CONNECTOR
HOUSING	4	7282-7041-40	7283-7041-40
	4	7282-7043-30	7283-7142-30

OTHER HOUSING COLORS ARE AVAILABLE TO MEET YOUR REQUEST.

**TERMINAL**

UNIT:mm

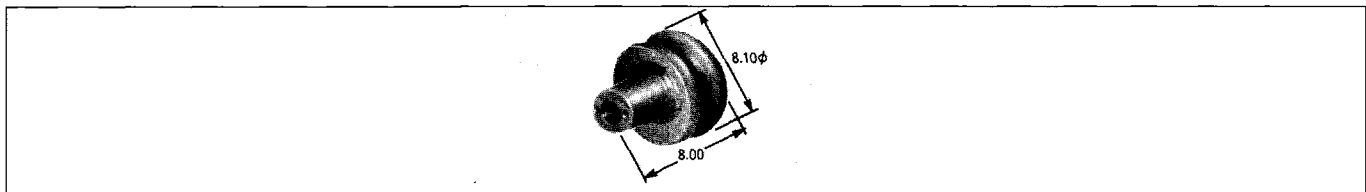


■ SPECIFICATIONS

PART NAME	PART NUMBER	MATERIAL	TREATMENT	MATERIAL THICKNESS
MALE TERMINAL	7114-4035	BRASS	TIN PLATING	t=0.4
	7114-4036			
	7114-4037			
FEMALE TERMINAL	7116-4035	BRASS	TIN PLATING	t=0.4
	7116-4036	COPPER ALLOY		
	7116-4037			

**WIRE SEAL**

UNIT:mm



■ SPECIFICATIONS

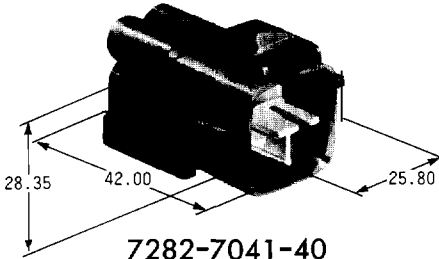
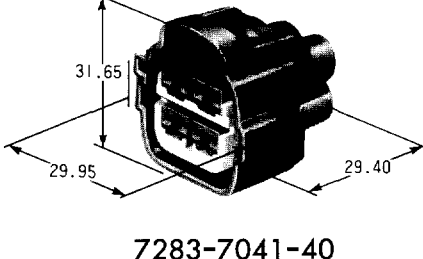
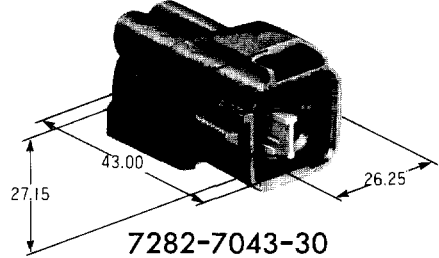
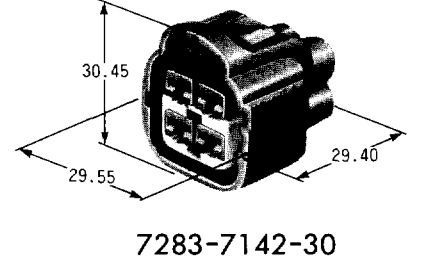
PART NAME	PART NUMBER	MATERIAL	COLOR	NOTE
WIRE SEAL	7157-3850	NBR	GRAY	
	7157-3852	NBR	BLACK	
	7157-8763	NBR	GRAY	CAVITY PLUG

● APPLICABLE WIRE CHART (TERMINAL·WIRE SEAL)

PART NAME	WIRE SIZE (mm <sup>2</sup> )	WIRE TYPE	PART NUMBER	PART NUMBER OF WIRE SEAL
MALE TERMINAL	0.3	AVS	7114-4035	7157-3850
	0.5	AVS	7114-4035	7157-3850
			7114-4036	
	0.85	AVS	7114-4036	7157-3850
	1.25	AVS	7114-4036	7157-3850
	2	AVS	7114-4037	7157-3852
3	AVS	7114-4037	7157-3852	
FEMALE TERMINAL	0.3	AVS	7116-4035	7157-3850
	0.5	AVS	7116-4035	7157-3850
			7116-4036	
	0.85	AVS	7116-4036	7157-3850
	1.25	AVS	7116-4036	7157-3850
	2	AVS	7116-4037	7157-3852
3	AVS	7116-4037	7157-3852	

HOUSING MATERIAL: PBT

UNIT: mm

POLES	MALE HOUSING	FEMALE HOUSING
4	 <p>7282-7041-40</p>	 <p>7283-7041-40</p>
4	 <p>7282-7043-30</p>	 <p>7283-7142-30</p>