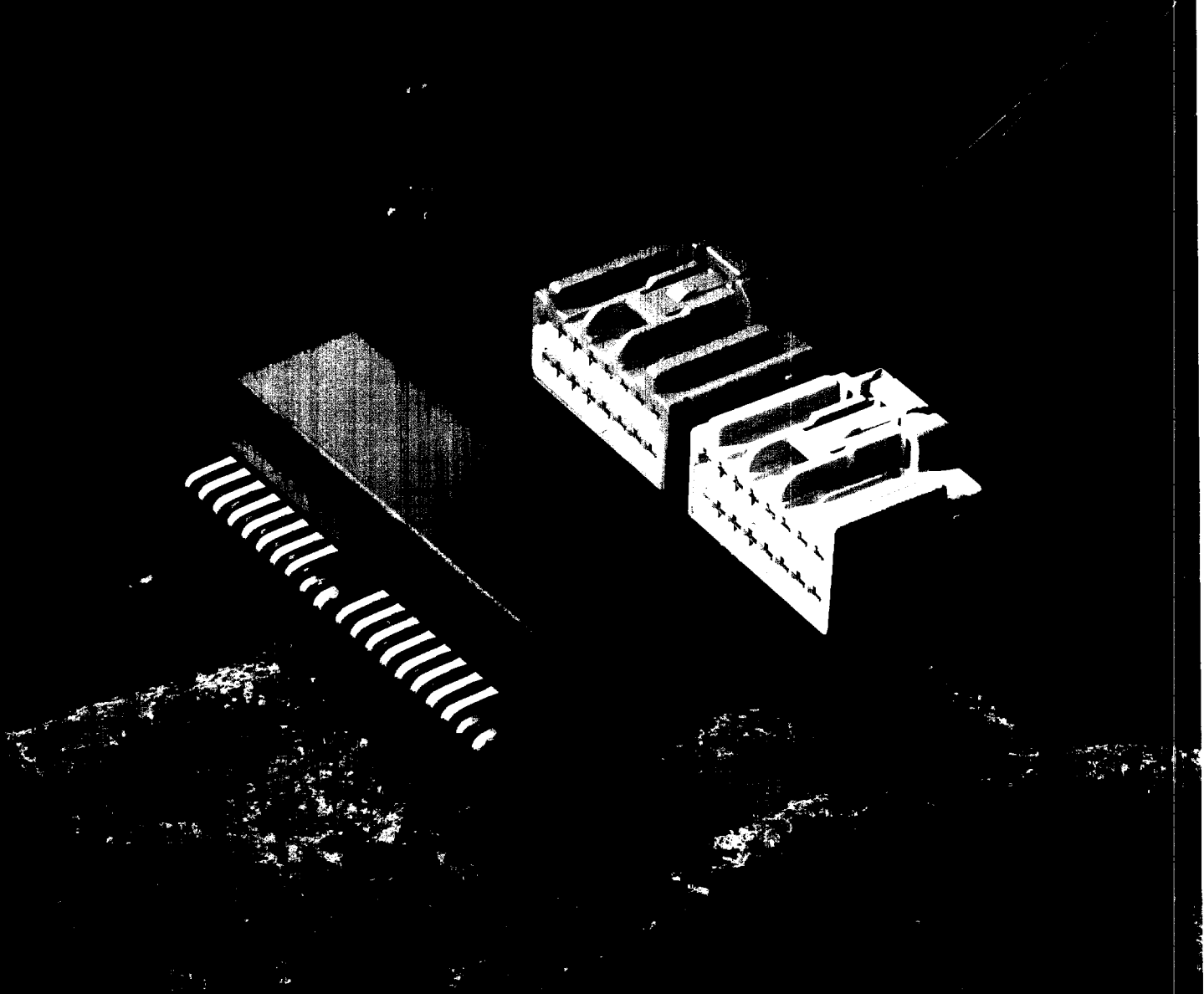


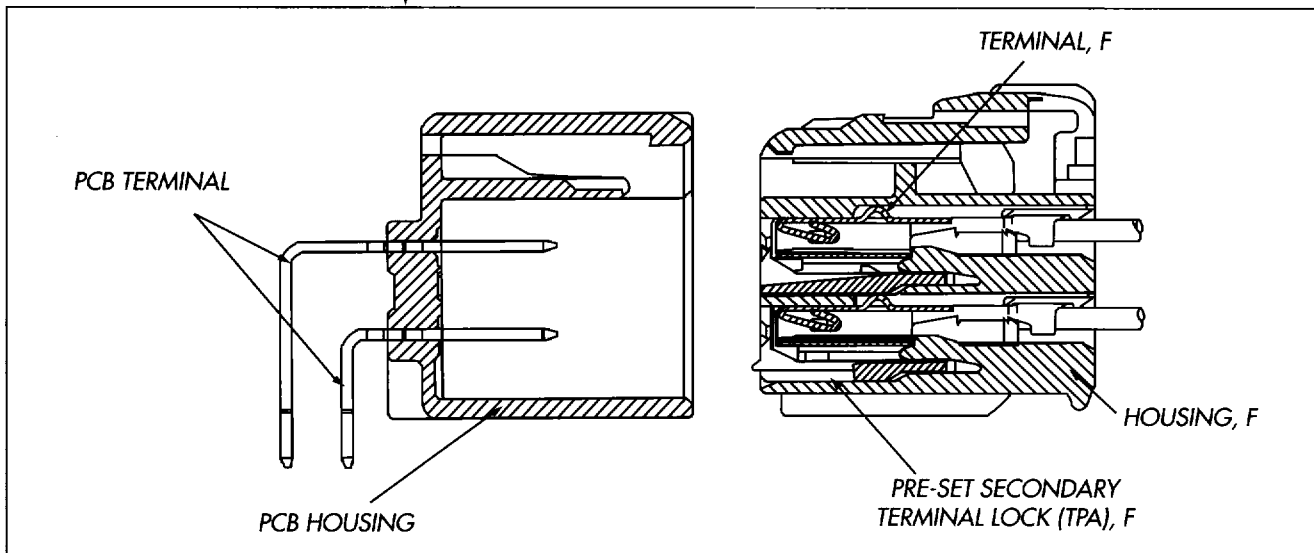
# HEADER SERIES

CONNECTORS



CONNECTORS

## Construction



## Specifications

Material	Connector	PPA-GF16
	Male Terminal	Brass
	Female Terminal	Copper Alloy (Sn/Au Plate)
Operating Temperature Range		-40°C ~100°C (125°C max temp.) (USCAR Class II)
Current Capacity		(See Chart)
Voltage Drop		10mΩ Max (Term./Term.)
Isolation Resistance		500VDC, 20MΩ Min
Dielectric Resistance		1000VAC (1 min.)
Terminal-to-Connector Retention Force		90N Min
Connector-to-Connector Retention Force		110N Min

## Current Rating Curve

SEE APPLICABLE BLADE SIZE SECTION



# Terminal

UNIT: mm

<p><i>Male PCB Terminal</i></p> <p>PURCHASED IN ASSEMBLY</p> <p><i>Material: Brass</i></p>			<p><i>Female Terminal</i></p> <p>SEE APPLICABLE BLADE SIZE SECTION</p> <p><i>Material: Copper Alloy</i> <span style="float: right;"><i>Thickness: t=0.3</i></span></p>			
Description	Part Number	Plating	Applicable Wire Size			
			Europe (mm <sup>2</sup> )	U.S.A. (AWG)	Japan (mm <sup>2</sup> )	
<i>Male Terminal</i>	N/A					
<i>Female Terminal</i>	1.5mm	7116-4100-02	Sn	0.35 ~ 0.5	22 ~ 20	0.3 ~ 0.5
		7116-4101-02	Sn	0.75 ~ 1.0	18 ~ 16	0.85 ~ 1.25
		7116-4100-08	Au	0.35 ~ 0.5	22 ~ 20	0.3 ~ 0.5
		7116-4101-08	Au	0.75 ~ 1.0	18 ~ 16	0.85 ~ 1.25
2.8mm	7116-4110-02	Sn	0.35 ~ 0.5	22 ~ 20	0.3 ~ 0.5	
	7116-4111-02	Sn	0.75 ~ 1.0	18 ~ 16	0.85 ~ 1.25	
	7116-4112-02	Sn	1.5 ~ 2.5	14	2.0	

## Part Number Summary Chart

Part Name		Male	Female
<i>Terminal</i>	1.5mm	N/A	7116-4100-02
		N/A	7116-4101-02
		N/A	7116-4100-08
		N/A	7116-4101-08
	2.8mm	N/A	7116-4110-02
		N/A	7116-4111-02
		N/A	7116-4112-02

Pole	Polarity	Color/Description	Male Part #	Female Part #
10	A	Light Grey	7382-5884-40	7283-5533-40
16	A	Green/Config 1	7382-5551-60	7283-5534-60
16	A	Green/Config 2	7382-5681-60	7283-5534-60
16	A	Green/Config 3	7382-5682-60	7283-5534-60
32	A	Black	7382-5552-30	7283-5535-90 (16P)
				7283-5536-40 (16P)
32	A	Light Grey	7382-5881-40	7283-5535-90 (16P)
				7283-5536-40 (16P)
12	A	Light Grey 2.8mm H-Header	7382-5568-40	7283-5567-40
14	A	Light Grey Hybrid 10x1.5, 4x2.8	7382-5627-40	7283-5622-40

### \*Applicable Terminal Removal Tool/Dimensions

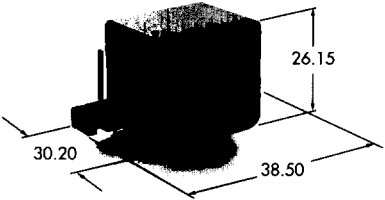
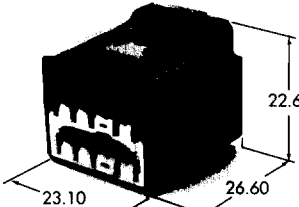
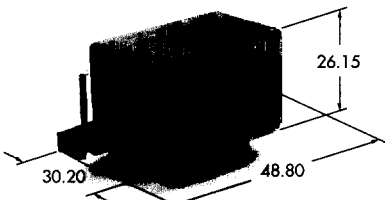
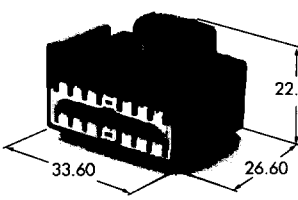
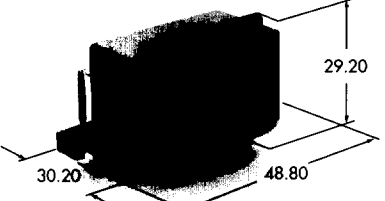
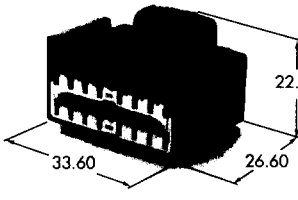
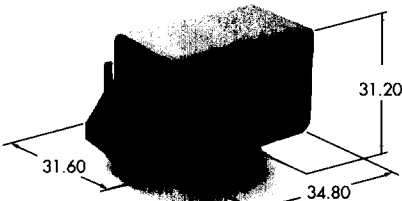
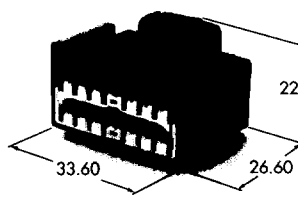
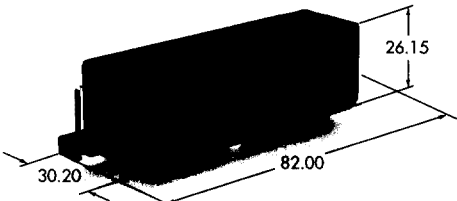
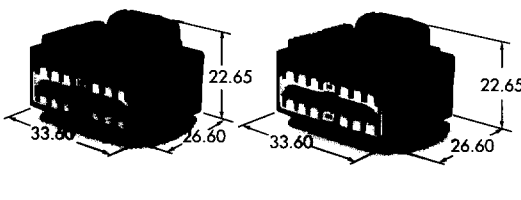
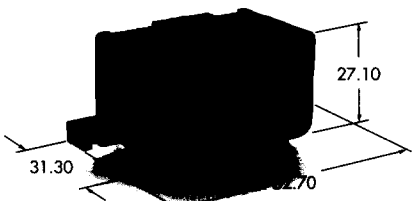
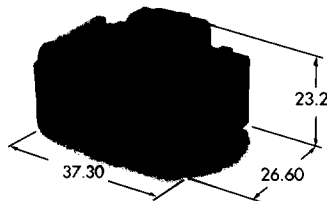
Refer to Page 53 for YESC Connector Terminal Removal Tool. Order Number: X39899-J374.



Housing Material: PPA-GF

Material HPA

UNIT: mm

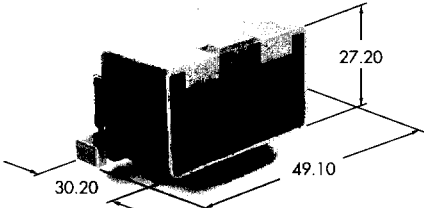
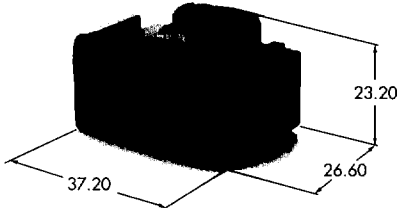
Poles	Male Housing	Female Housing
10	 <p data-bbox="516 575 685 606"><b>7382-5884-40</b></p>	 <p data-bbox="1110 575 1279 606"><b>7283-5533-40</b></p>
16	 <p data-bbox="516 846 685 877"><b>7382-5551-60</b></p>	 <p data-bbox="1110 846 1279 877"><b>7283-5534-60</b></p>
16	 <p data-bbox="516 1115 685 1146"><b>7382-5681-60</b></p>	 <p data-bbox="1110 1115 1279 1146"><b>7283-5534-60</b></p>
16	 <p data-bbox="516 1388 685 1419"><b>7382-5682-60</b></p>	 <p data-bbox="1110 1388 1279 1419"><b>7283-5534-60</b></p>
32	 <p data-bbox="516 1661 685 1692"><b>7382-5552-30</b></p>	 <p data-bbox="911 1661 1143 1692"><b>7283-5535-90 (16P)</b></p> <p data-bbox="1208 1661 1440 1692"><b>7283-5536-40 (16P)</b></p>
12	 <p data-bbox="516 1923 685 1955"><b>7382-5568-40</b></p>	 <p data-bbox="1110 1923 1279 1955"><b>7283-5567-40</b></p>



**Housing Material: PPA-GF**

**Material HPA**

UNIT: mm

<i>Poles</i>	<i>Male Housing</i>	<i>Female Housing</i>
14	 <p data-bbox="505 569 667 600"><b>7382-5627-40</b></p>	 <p data-bbox="1101 569 1263 600"><b>7283-5622-40</b></p>