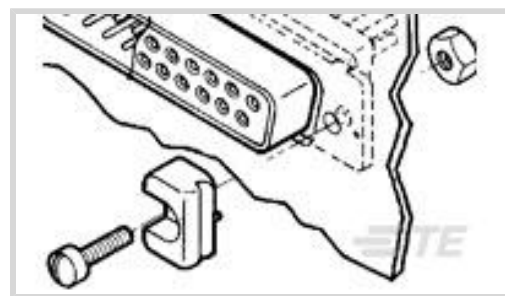




Connectors > D-Shaped Connectors > D-Sub Accessories > Locking & Mounting



D-Shaped Connector Accessories: **Latching Block**

Features

Product Type Features

Product Type	Accessory
Latch Type	Latching Block With Slot Recess and Thru Hole
D-Shaped Connector Accessories	Latching Block

Body Features

Latch Material	Zinc
----------------	------

Mechanical Attachment

Panel Attachment Style	Rear Mount
------------------------	------------

Dimensions

	.4 in
Panel Thickness	1.52 mm[.06 in]

Packaging Features

Packaging Quantity	2
Packaging Method	Bag

Product Compliance

[For compliance documentation, visit the product page on TE.com>](#)

EU RoHS Directive 2011/65/EU	Compliant
EU ELV Directive 2000/53/EC	Compliant
China RoHS 2 Directive MIIT Order No 32, 2016	No Restricted Materials Above Threshold
EU REACH Regulation (EC) No. 1907/2006	Current ECHA Candidate List: JUNE 2022 (224) Candidate List Declared Against: JAN 2022 (223)



SVHC > Threshold:
Not Yet Reviewed

Halogen Content	Low Halogen - Br, Cl, F, I < 900 ppm per homogenous material. Also BFR/CFR/PVC Free
Solder Process Capability	Not applicable for solder process capability

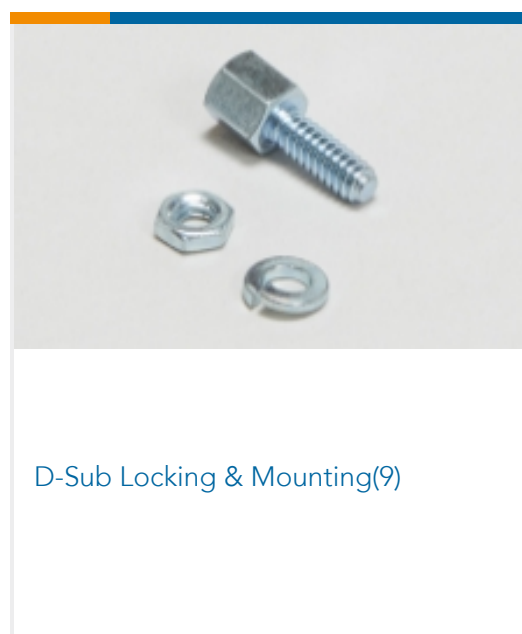
Product Compliance Disclaimer

This information is provided based on reasonable inquiry of our suppliers and represents our current actual knowledge based on the information they provided. This information is subject to change. The part numbers that TE has identified as EU RoHS compliant have a maximum concentration of 0.1% by weight in homogenous materials for lead, hexavalent chromium, mercury, PBB, PBDE, DBP, BBP, DEHP, DIBP, and 0.01% for cadmium, or qualify for an exemption to these limits as defined in the Annexes of Directive 2011/65/EU (RoHS2). Finished electrical and electronic equipment products will be CE marked as required by Directive 2011/65/EU. Components may not be CE marked. Additionally, the part numbers that TE has identified as EU ELV compliant have a maximum concentration of 0.1% by weight in homogenous materials for lead, hexavalent chromium, and mercury, and 0.01% for cadmium, or qualify for an exemption to these limits as defined in the Annexes of Directive 2000/53/EC (ELV). Regarding the REACH Regulation, the information TE provides on SVHC in articles for this part number is based on the latest European Chemicals Agency (ECHA) 'Guidance on requirements for substances in articles' posted at this URL: <https://echa.europa.eu/guidance-documents/guidance-on-reach>

Compatible Parts



Also in the Series | AMPLIMITE HDP-20



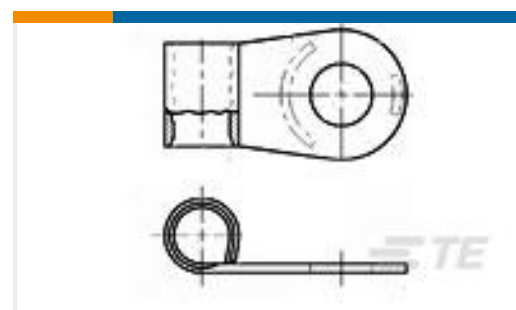
Customers Also Bought



TE Part #650082-000
D-436-58



TE Part #2-324061-5
TERMINAL,SOLIS R 8 8 HR



TE Part #321051
TERMINAL,SOLIS FLAG R 8 10



TE Part #171822-4
EIS REC. HSG 4P-NATURAL



TE Part #170262-4
EIS CONNECTOR FORMING



TE Part #5748676-2
DIE CAST CBL CLMP KIT,SZ 2



TE Part #745255-2
SPRING LATCH 2/BAG



TE Part #CW4361-000
R85049/88-13N02

Documents

Product Drawings

SPECIAL LATCH BLOCK -2 PER BAG

English

CAD Files

3D PDF

3D

Customer View Model

[ENG_CVM_CVM_745245-5_E.2d_dxf.zip](#)

English

Customer View Model

[ENG_CVM_CVM_745245-5_E.3d_igs.zip](#)

English

Customer View Model

[ENG_CVM_CVM_745245-5_E.3d_stp.zip](#)

English

By downloading the CAD file I accept and agree to the [Terms and Conditions](#) of use.

Datasheets & Catalog Pages

AMPLIMITE Subminiature D Connectors - Cable Connectors

English

AMPLIMITE Cable Connectors and Shielding Hardware Kits QRG

English

Product Specifications

Application Specification

English



Instruction Sheets

[Instruction Sheet \(U.S.\)](#)

English

Agency Approvals

[Agency Approval Document](#)

English