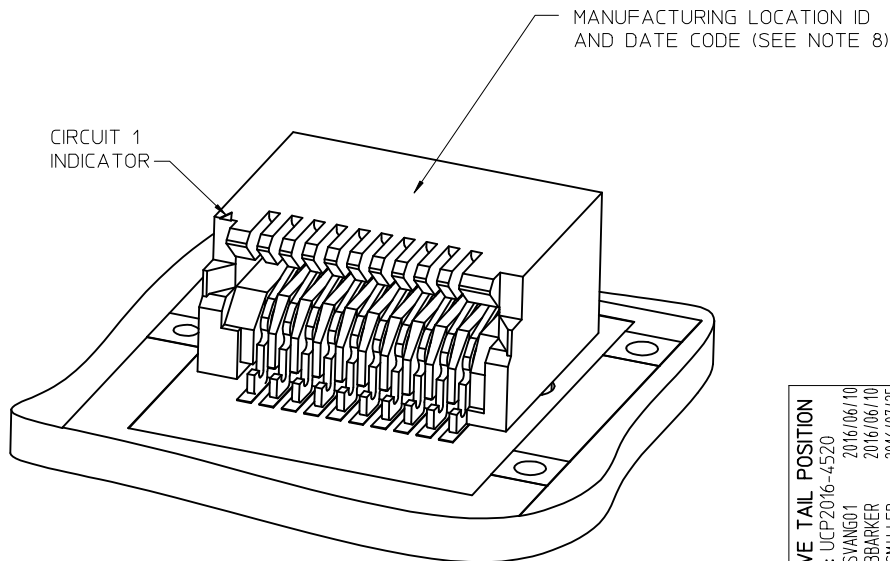


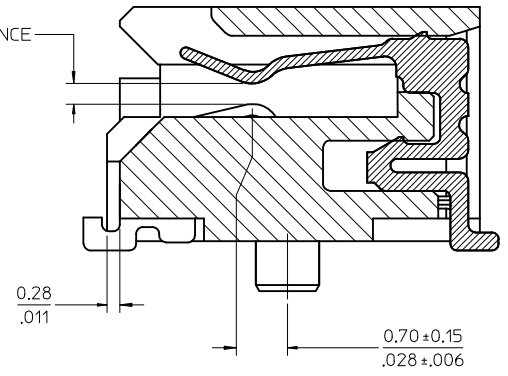
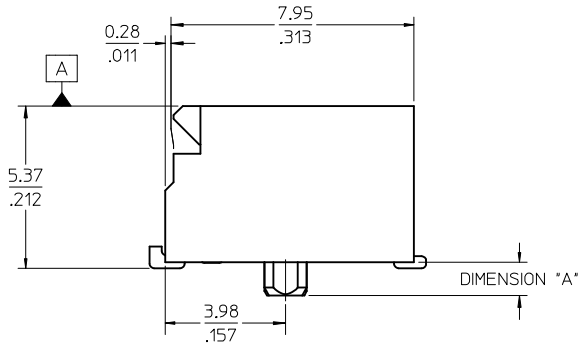
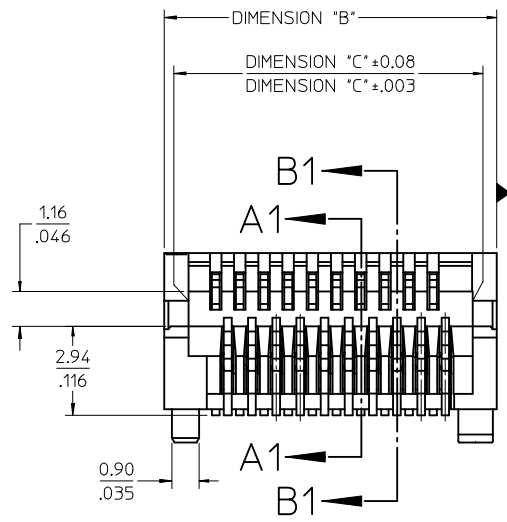
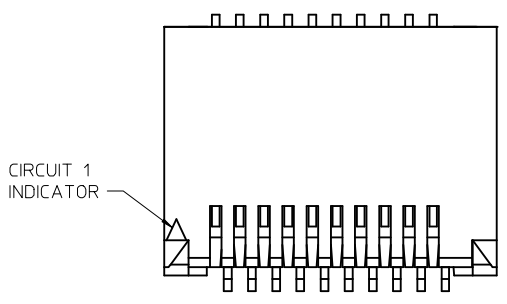
CKT SIZE	PART NUMBER	TOOLED	DESCRIPTION	DIMENSIONS				MULTI-SOURCE AGREEMENT	CIRCUIT BOARD LAYOUT
				"A"	"B"	"C"	"D"		
20	74441-0001	YES	PLATED PER NOTE 2	1.10/.043	11.00/.433	9.40/.370	9.60/.378	SFP	SEE SHEET 3
	74441-0004	NO*	PLATED PER NOTE 2	0.76/.030					
	74441-0010	YES	PLATED PER NOTE 3	1.10/.043					
	74441-0014	NO*	PLATED PER NOTE 3	0.76/.030					
	74441-0031	YES	PLATED PER NOTE 4	1.10/.043					
30	74441-0007	YES	PLATED PER NOTE 2	1.10/.043	15.00/.591	13.40/.528	13.60/.535	XFP	SEE SHEET 4
	74441-0017	YES	PLATED PER NOTE 3	1.10/.043					
	74441-0037	YES	PLATED PER NOTE 4	1.10/.043					
40	74441-0005	YES	PLATED PER NOTE 2	1.10/.043	19.00/.748	17.40/.685	17.60/.693		SEE SHEET 5
	74441-0015	YES	PLATED PER NOTE 3	1.10/.043					
	74441-0035	YES	PLATED PER NOTE 4	1.10/.043					
50	74441-0008	YES	PLATED PER NOTE 2	1.10/.043	23.00/.906	21.40/.843	21.60/.850		SEE SHEET 6
	74441-0018	YES	PLATED PER NOTE 3	1.10/.043					
	74441-0038	YES	PLATED PER NOTE 5	1.10/.043					
70	74441-0003	YES	PLATED PER NOTE 2	1.10/.043	31.00/1.220	29.40/1.517	29.60/1.165	XENPAK XPAK X2	SEE SHEET 7
	74441-0013	YES	PLATED PER NOTE 3	1.10/.043					
	74441-0033	YES	PLATED PER NOTE 4	1.10/.043					

NOTES

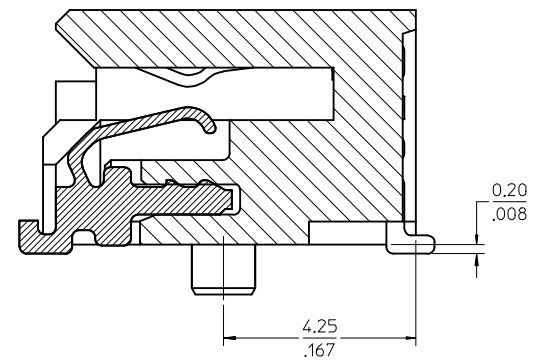
- MATERIAL:  
HOUSING - HIGH TEMPERATURE THERMOPLASTIC GLASS FILLED, UL 94V-0, BLACK  
TERMINALS - COPPER ALLOY
- PLATING (SEE TABLE):  
CONTACT AREA - 0.38 MICROMETER MINIMUM GOLD OVER NICKEL  
SOLDER FOOT AREA - 2.54 MICROMETER MINIMUM TIN OVER NICKEL
- PLATING (SEE TABLE):  
CONTACT AREA - 0.76 MICROMETER MINIMUM GOLD OVER NICKEL  
SOLDER AREA - 2.54 MICROMETER MINIMUM TIN OVER NICKEL
- PLATING (SEE TABLE):  
CONTACT AREA - 0.76 MICROMETER MINIMUM GOLD OVER  
2.54 MICROMETERS MINIMUM NICKEL.  
SOLDER AREA: GOLD FLASH OVER NICKEL.
- PLATING (SEE TABLE):  
CONTACT AREA - 0.38 MICROMETER MINIMUM GOLD OVER NICKEL,  
SOLDER AREA: GOLD FLASH OVER NICKEL.
- SOLDER FEET COPLANAR WITHIN 0.10/.004 FOR 20, 30 AND 40 CIRCUIT CONNECTORS,  
WITHIN 0.15/.006 FOR 50 AND 70 CIRCUIT CONNECTORS
- \* CONTACT PLANT FOR MORE INFORMATION
- DATE CODE: 4 DIGIT (3 DIGIT DAY, 1 DIGIT YEAR)
- THE CIRCUIT 1 INDICATOR MAY VARY IN SIZE AND APPEARANCE.



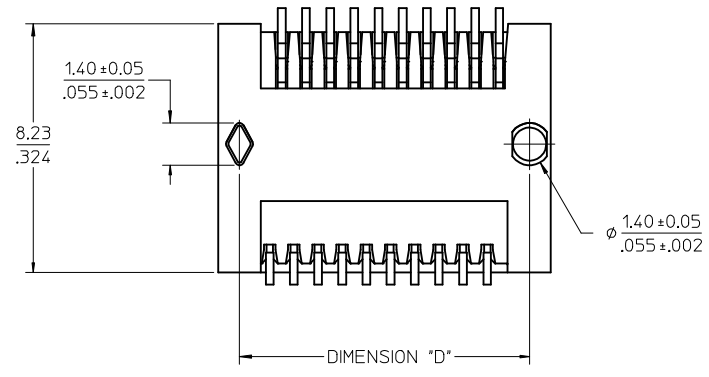
<b>REMOVE TAIL POSITION</b> EC NO: UCP2016-4520 DRWNSVANG01 2016/06/10 CHKD:BBARKER 2016/06/10 APPR:SMILLER 2016/07/25 REV Y	DESCRIPTION QUALITY SYMBOLS ▽=0 ▽=0 ▽=0	GENERAL TOLERANCES (UNLESS SPECIFIED) mm INCH 4 PLACES ± --- ± --- 3 PLACES ± --- ± .005 2 PLACES ± 0.13 ± .010 1 PLACE ± 0.25 ± --- 0 PLACE ± ±	DIMENSION STYLE MM/IN DRAWN BY DATE HAVERY 00/04/06 CHECKED BY DATE KSWEENEY 00/04/06 APPROVED BY DATE MBANAKIS 00/04/06	SCALE 1:1 DESIGN UNITS METRIC THIRD ANGLE PROJECTION	SALES ASSEMBLY Z AXIS PLUGGABLE PCB CONNECTOR <b>molex</b> DOCUMENT NO. SD-74441-001 SHEET NO. 1 OF 7	
	ANGULAR ±1/2° DRAFT WHERE APPLICABLE MUST REMAIN WITHIN DIMENSIONS		MATERIAL NO. <b>SEE TABLE</b>			
			SIZE THIS DRAWING CONTAINS INFORMATION THAT IS PROPRIETARY TO MOLEX INCORPORATED AND SHOULD NOT BE USED WITHOUT WRITTEN PERMISSION			



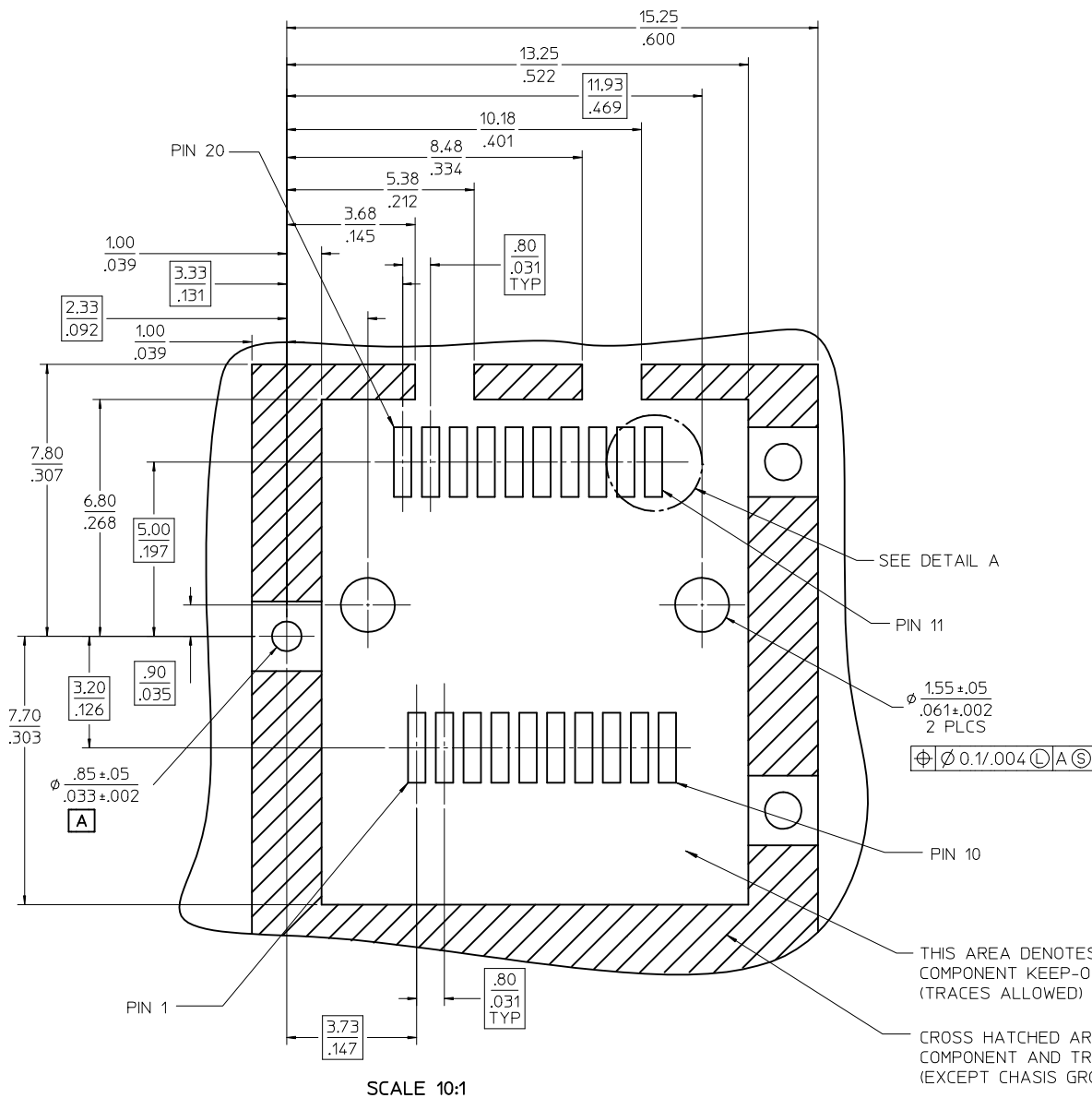
SECTION A1-A1  
SCALE 12:1



SECTION B1-B1  
SCALE 12:1



SEE SHEET 1 EC NO: UCP2016-4520 DRW:VYANG01 2016/06/10 CHKD:BBARKER 2016/06/10 APPR:SMILLER 2016/07/25	QUALITY SYMBOLS ∇=0 ∇=0 ∇=0	GENERAL TOLERANCES (UNLESS SPECIFIED) <table border="1"> <tr> <th></th> <th>mm</th> <th>INCH</th> </tr> <tr> <td>4 PLACES</td> <td>± ---</td> <td>± ---</td> </tr> <tr> <td>3 PLACES</td> <td>± ---</td> <td>± .005</td> </tr> <tr> <td>2 PLACES</td> <td>± 0.13</td> <td>± .010</td> </tr> <tr> <td>1 PLACE</td> <td>± 0.25</td> <td>± ---</td> </tr> <tr> <td>0 PLACE</td> <td>±</td> <td>±</td> </tr> </table>		mm	INCH	4 PLACES	± ---	± ---	3 PLACES	± ---	± .005	2 PLACES	± 0.13	± .010	1 PLACE	± 0.25	± ---	0 PLACE	±	±	DIMENSION STYLE MM/IN DRAWN BY: HAVERY DATE: 00/04/06 CHECKED BY: KSWEENEY DATE: 00/04/06 APPROVED BY: MBANAKIS DATE: 00/04/06	SCALE: 6:1 DESIGN UNITS: METRIC THIRD ANGLE PROJECTION	SALES ASSEMBLY Z AXIS PLUGGABLE PCB CONNECTOR <b>molex</b>	MATERIAL NO. SEE TBL, SHT 1	DOCUMENT NO. SD-74441-001	SHEET NO. 2 OF 7
		mm	INCH																							
	4 PLACES	± ---	± ---																							
	3 PLACES	± ---	± .005																							
2 PLACES	± 0.13	± .010																								
1 PLACE	± 0.25	± ---																								
0 PLACE	±	±																								
DRAFT WHERE APPLICABLE MUST REMAIN WITHIN DIMENSIONS		ANGULAR ±1/2°	SIZE C	THIS DRAWING CONTAINS INFORMATION THAT IS PROPRIETARY TO MOLEX INCORPORATED AND SHOULD NOT BE USED WITHOUT WRITTEN PERMISSION																						



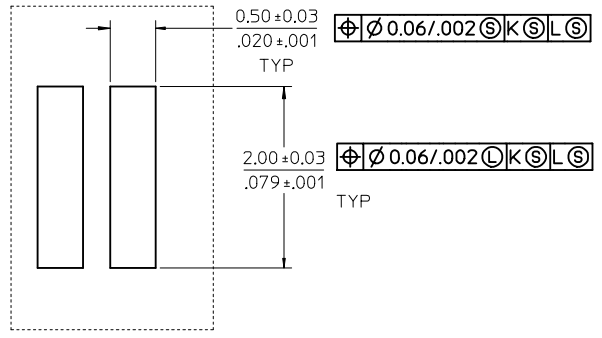
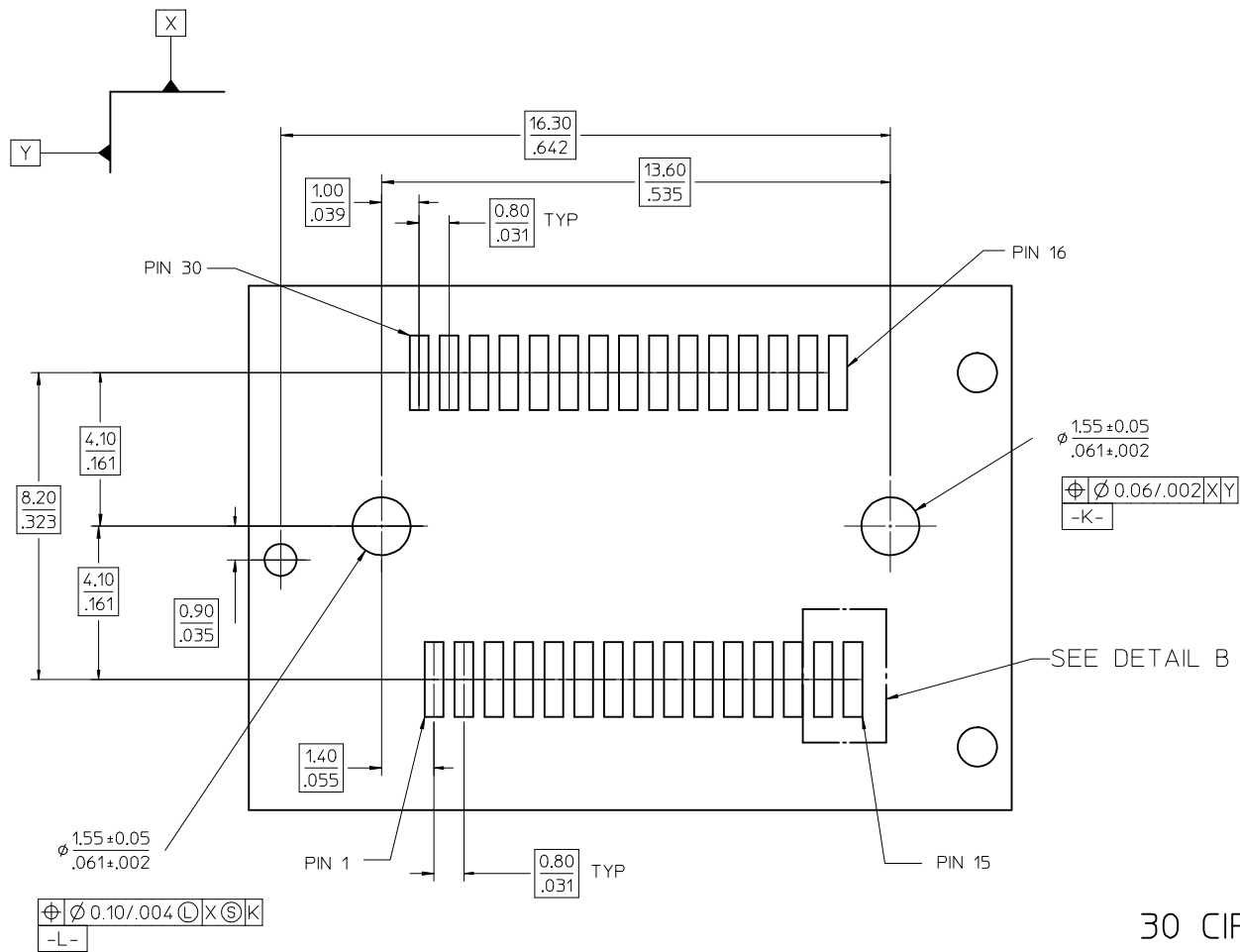
20 CIRCUIT MOTHER BOARD  
RECOMMENDED PCB LAYOUT

THIS AREA DENOTES  
COMPONENT KEEP-OUT  
(TRACES ALLOWED)

CROSS HATCHED AREA DENOTES  
COMPONENT AND TRACE KEEP-OUT  
(EXCEPT CHASSIS GROUND)

SCALE 10:1

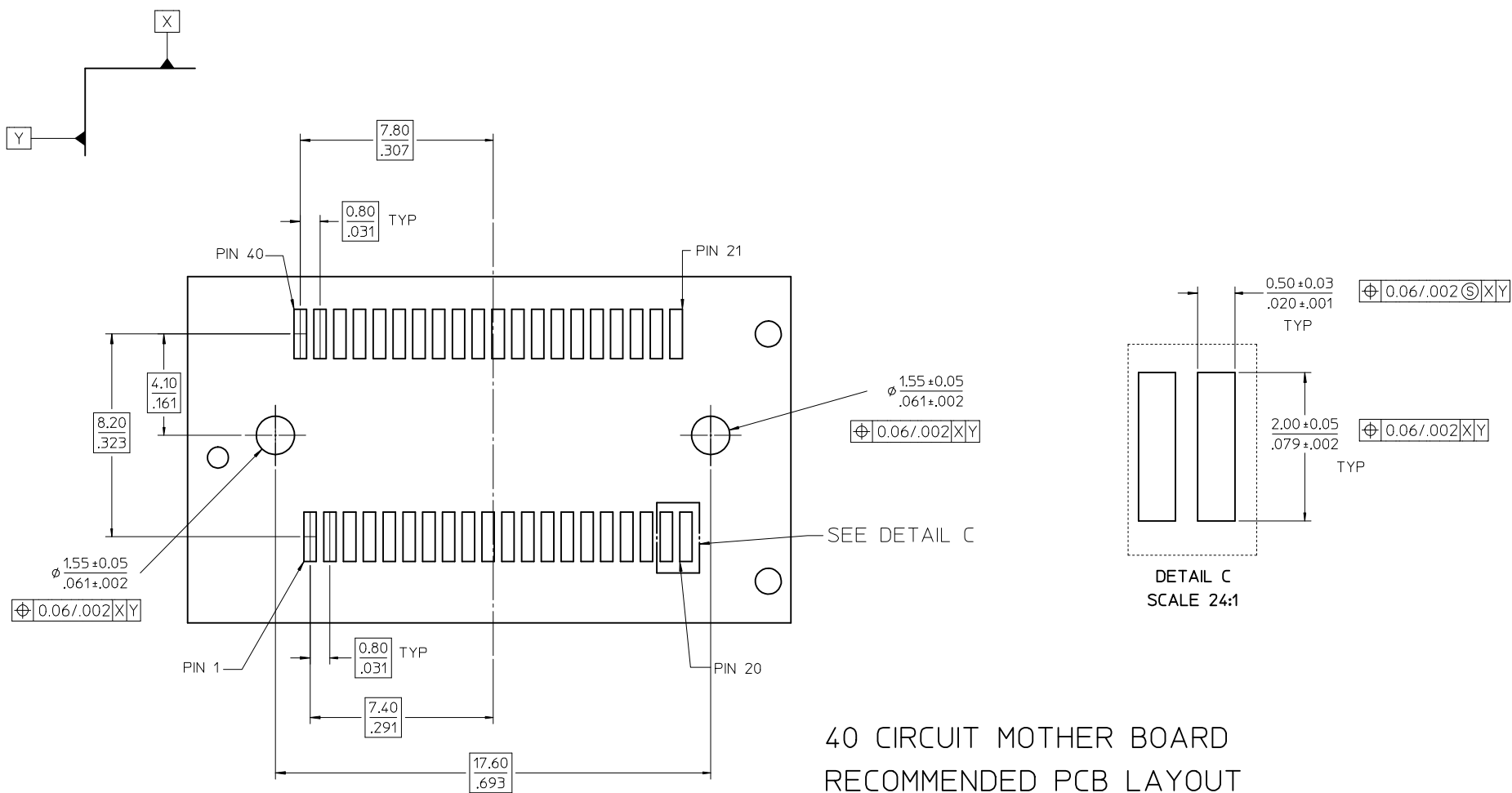
SEE SHEET 1 EC NO: UCP2016-4520 DRWNSVANG01 2016/06/10 CHKDBBARKER 2016/06/10 APPR:SWILLER 2016/07/25	QUALITY SYMBOLS 	GENERAL TOLERANCES (UNLESS SPECIFIED)		DIMENSION STYLE <b>MM/IN</b>	SCALE <b>8:1</b>	DESIGN UNITS <b>METRIC</b>	THIRD ANGLE PROJECTION 
		4 PLACES ± --- ± --- 3 PLACES ± --- ± .005 2 PLACES ± 0.13 ± .010 1 PLACE ± 0.25 ± --- 0 PLACE ± ±	mm INCH ± --- ± --- ± .13 ± .010 ± 0.25 ± --- ± ±	DRAWN BY DATE HAVERY 00/04/06 CHECKED BY DATE KSWEENEY 00/04/06 APPROVED BY DATE MBANAKIS 00/04/06	TITLE <b>SALES ASSEMBLY Z AXIS PLUGGABLE PCB CONNECTOR</b>		
		ANGULAR ±1/2° DRAFT WHERE APPLICABLE MUST REMAIN WITHIN DIMENSIONS	MATERIAL NO. <b>SEE TBL, SHT 1</b>	DOCUMENT NO. <b>SD-74441-001</b>	<b>molex</b>		SHEET NO. <b>3 OF 7</b>
			THIS DRAWING CONTAINS INFORMATION THAT IS PROPRIETARY TO MOLEX INCORPORATED AND SHOULD NOT BE USED WITHOUT WRITTEN PERMISSION				



DETAIL B  
SCALE 24:1

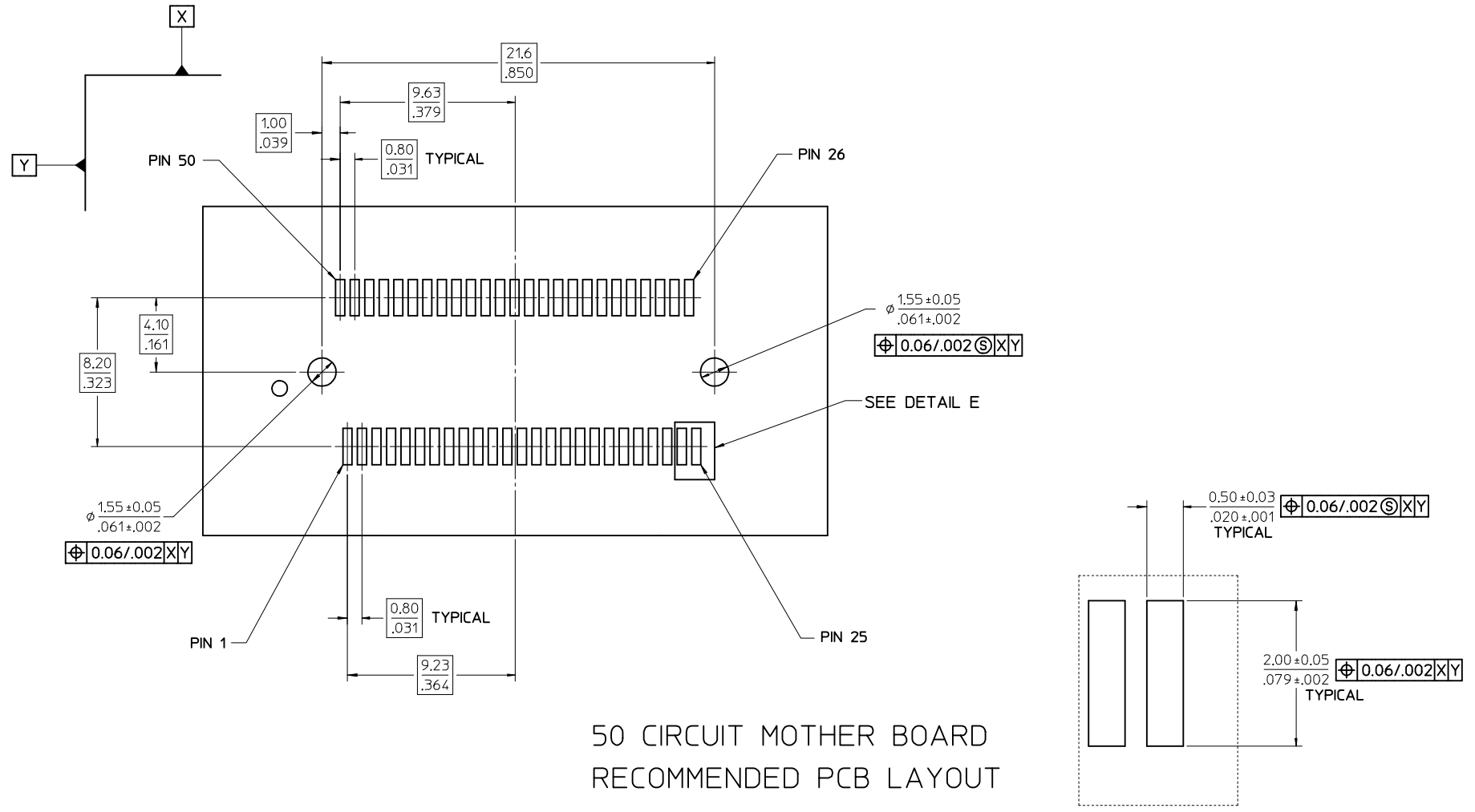
30 CIRCUIT MOTHER BOARD  
RECOMMENDED PCB LAYOUT

SEE SHEET 1 EC NO: UCP2016-4520 DRWNS:VANG01 2016/06/10 CHYKD:BBARKER 2016/06/10 APPR:SMILLER 2016/07/25	QUALITY SYMBOLS	GENERAL TOLERANCES (UNLESS SPECIFIED)		DIMENSION STYLE		SCALE	DESIGN UNITS	THIRD ANGLE PROJECTION	
	▽=0	mm	INCH	MM/IN		6:1	METRIC	SALES ASSEMBLY	
	▽=0	4 PLACES ± ---	± ---	DRAWN BY	DATE	Z AXIS PLUGGABLE			
	▽=0	3 PLACES ± ---	± .005	HAVERY	00/04/06	PCB CONNECTOR			
		2 PLACES ± 0.13	± .010	CHECKED BY	DATE	<b>molex</b> SD-74441-001			
		1 PLACE ± 0.25	± ---	MBANEY	00/04/06				
		0 PLACE ±	±	APPROVED BY	DATE	DOCUMENT NO.		SHEET NO.	
		ANGULAR ±1/2°		MATERIAL NO.		SD-74441-001		4 OF 7	
		DRAFT WHERE APPLICABLE MUST REMAIN WITHIN DIMENSIONS		SEE TBL, SHT 1		THIS DRAWING CONTAINS INFORMATION THAT IS PROPRIETARY TO MOLEX INCORPORATED AND SHOULD NOT BE USED WITHOUT WRITTEN PERMISSION			

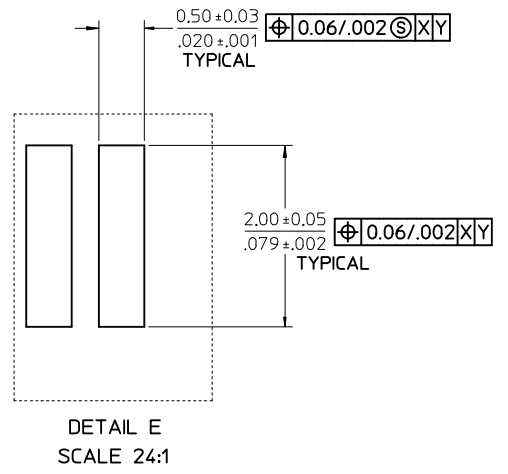


40 CIRCUIT MOTHER BOARD  
RECOMMENDED PCB LAYOUT

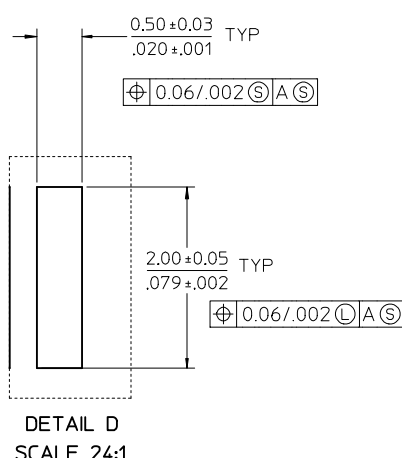
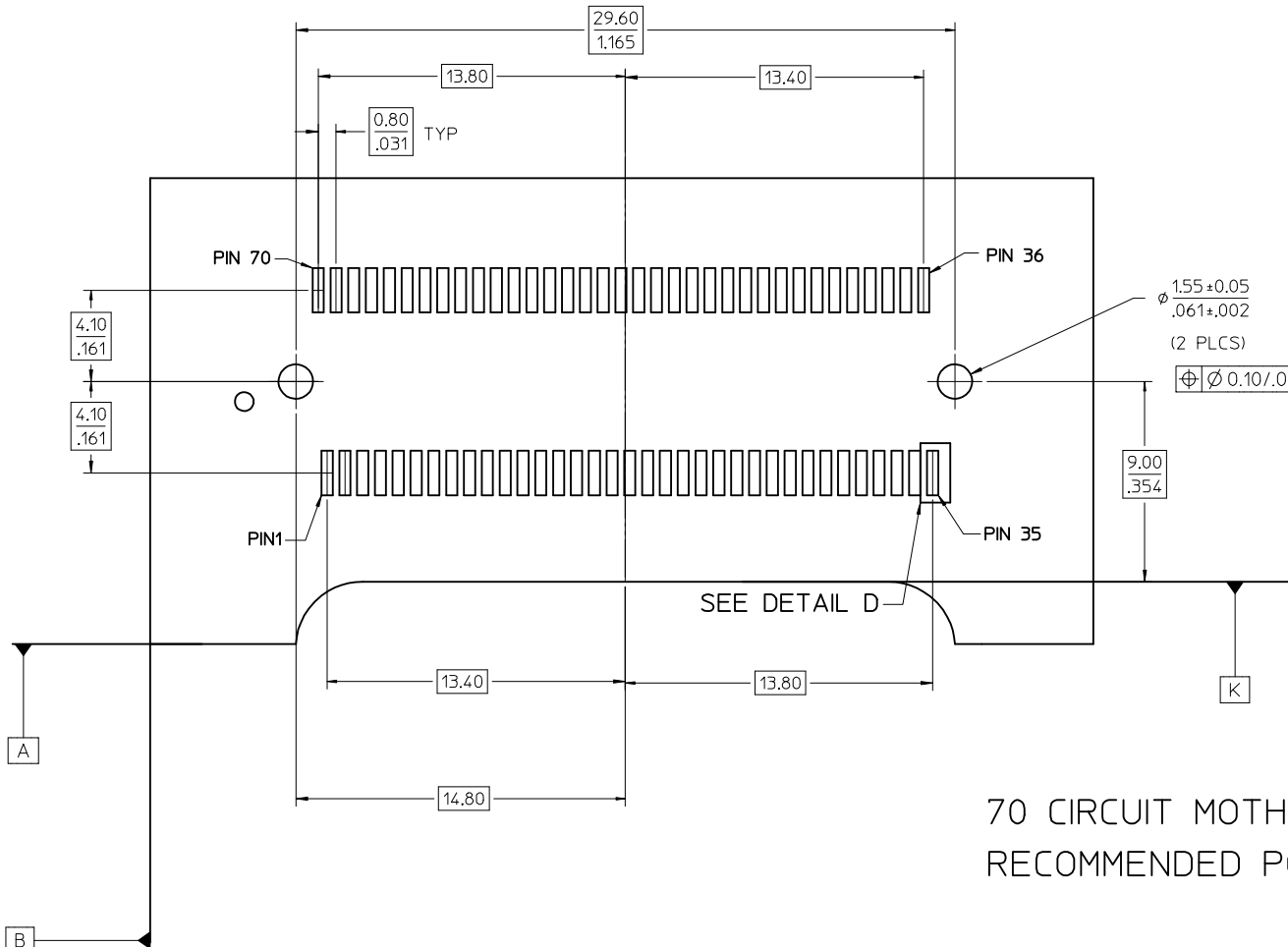
<b>SEE SHEET 1</b> EC NO: UCP2016-4520 DRWNSVANG01 2016/06/10 CHKD:BBARKER 2016/06/10 APPR:SMILLER 2016/07/25 Y	QUALITY SYMBOLS ▽=0 ▽=0 ▽=0	GENERAL TOLERANCES (UNLESS SPECIFIED) <table border="1"> <thead> <tr> <th></th> <th>mm</th> <th>INCH</th> </tr> </thead> <tbody> <tr> <td>4 PLACES</td> <td>± .005</td> <td>± .0005</td> </tr> <tr> <td>3 PLACES</td> <td>± .005</td> <td>± .0005</td> </tr> <tr> <td>2 PLACES</td> <td>± 0.13</td> <td>± .010</td> </tr> <tr> <td>1 PLACE</td> <td>± 0.25</td> <td>± .010</td> </tr> <tr> <td>0 PLACE</td> <td>±</td> <td>±</td> </tr> </tbody> </table>		mm	INCH	4 PLACES	± .005	± .0005	3 PLACES	± .005	± .0005	2 PLACES	± 0.13	± .010	1 PLACE	± 0.25	± .010	0 PLACE	±	±	DIMENSION STYLE <b>MM/IN</b>	SCALE <b>6:1</b>	DESIGN UNITS <b>METRIC</b>	THIRD ANGLE PROJECTION
		mm	INCH																					
	4 PLACES	± .005	± .0005																					
	3 PLACES	± .005	± .0005																					
2 PLACES	± 0.13	± .010																						
1 PLACE	± 0.25	± .010																						
0 PLACE	±	±																						
DESCRIPTION Y	ANGULAR ±1/2° DRAFT WHERE APPLICABLE MUST REMAIN WITHIN DIMENSIONS	DRAWN BY HAVERY DATE 00/04/06	CHECKED BY KSWEENEY DATE 00/04/06	APPROVED BY MBANAKIS DATE 00/04/06	TITLE <b>SALES ASSEMBLY Z AXIS PLUGGABLE PCB CONNECTOR</b>																			
		MATERIAL NO. <b>SEE TBL, SHT 1</b>	DOCUMENT NO. <b>SD-74441-001</b>	SHEET NO. <b>5 OF 7</b>																				
		THIS DRAWING CONTAINS INFORMATION THAT IS PROPRIETARY TO MOLEX INCORPORATED AND SHOULD NOT BE USED WITHOUT WRITTEN PERMISSION																						



50 CIRCUIT MOTHER BOARD  
RECOMMENDED PCB LAYOUT



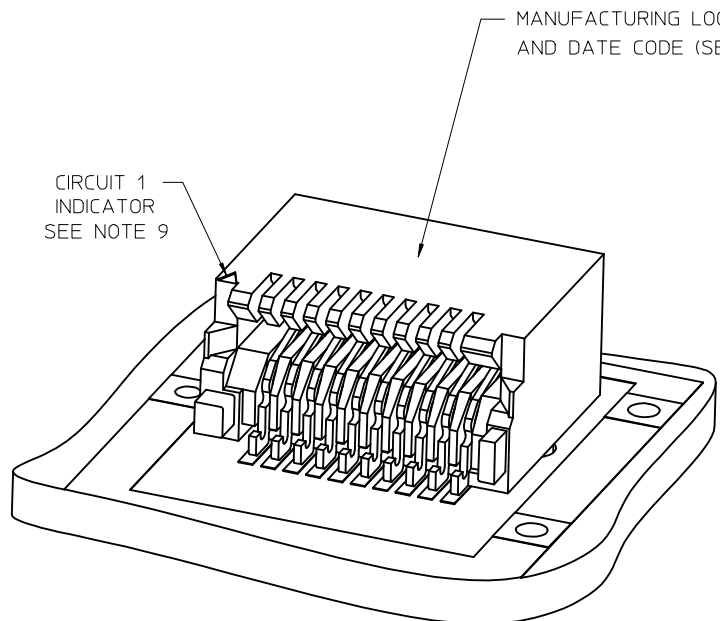
SEE SHEET 1 IEC NO: UCP2016-4520 DRWNS:VANG01 2016/06/10 CHKD:BBARKER 2016/06/10 APPR:SMILLER 2016/07/25	QUALITY SYMBOLS ▽=0 ▽=0 ▽=0	GENERAL TOLERANCES (UNLESS SPECIFIED) <table border="1"> <tr> <th></th> <th>mm</th> <th>INCH</th> </tr> <tr> <td>4 PLACES</td> <td>± .005</td> <td>± .0005</td> </tr> <tr> <td>3 PLACES</td> <td>± .010</td> <td>± .0010</td> </tr> <tr> <td>2 PLACES</td> <td>± 0.13</td> <td>± .010</td> </tr> <tr> <td>1 PLACE</td> <td>± 0.25</td> <td>± .010</td> </tr> <tr> <td>0 PLACE</td> <td>±</td> <td>±</td> </tr> </table>		mm	INCH	4 PLACES	± .005	± .0005	3 PLACES	± .010	± .0010	2 PLACES	± 0.13	± .010	1 PLACE	± 0.25	± .010	0 PLACE	±	±	DIMENSION STYLE MM/IN	SCALE 6:1	DESIGN UNITS METRIC	THIRD ANGLE PROJECTION
		mm	INCH																					
	4 PLACES	± .005	± .0005																					
	3 PLACES	± .010	± .0010																					
2 PLACES	± 0.13	± .010																						
1 PLACE	± 0.25	± .010																						
0 PLACE	±	±																						
DRAFT WHERE APPLICABLE MUST REMAIN WITHIN DIMENSIONS	ANGULAR ±1/2°	DRAWN BY HAVERY DATE 00/04/06	CHECKED BY KSWEENEY DATE 00/04/06	APPROVED BY MBANAKIS DATE 00/04/06	SALES ASSEMBLY Z AXIS PLUGGABLE PCB CONNECTOR																			
SEE TBL, SHT 1	MATERIAL NO.	DOCUMENT NO.		<b>molex</b>		SHEET NO. 6 OF 7																		
THIS DRAWING CONTAINS INFORMATION THAT IS PROPRIETARY TO MOLEX INCORPORATED AND SHOULD NOT BE USED WITHOUT WRITTEN PERMISSION																								



70 CIRCUIT MOTHER BOARD  
RECOMMENDED PCB LAYOUT

SEE SHEET 1 EC NO: UCP2016-4520 DRWNS:VANG01 2016/06/10 CHKD:BBARKER 2016/06/10 APPR:SMILLER 2016/07/25	QUALITY SYMBOLS 	GENERAL TOLERANCES (UNLESS SPECIFIED)		DIMENSION STYLE		SCALE	DESIGN UNITS	THIRD ANGLE PROJECTION			
				MM/IN		6:1	METRIC				
						DRAWN BY DATE		TITLE			
						CHECKED BY DATE		SALES ASSEMBLY Z AXIS PLUGGABLE PCB CONNECTOR			
				APPROVED BY DATE		<b>molex</b> DOCUMENT NO. SD-74441-001 SHEET NO. 7 OF 7					
				MATERIAL NO.							
		ANGULAR ±1/2°		SEE TBL, SHT 1							
		DRAFT WHERE APPLICABLE MUST REMAIN WITHIN DIMENSIONS		SIZE		THIS DRAWING CONTAINS INFORMATION THAT IS PROPRIETARY TO MOLEX INCORPORATED AND SHOULD NOT BE USED WITHOUT WRITTEN PERMISSION					

CKT SIZE	PART NUMBER	TOOLED	DESCRIPTION	"A"	"B"	"C"	"D"	MULTI-SOURCE AGREEMENT	CONNECTOR DRAWING	CIRCUIT BOARD DRAWING
20	74441-5001	YES	PLATED PER NOTE 2	1.10/.043	11.00/.433	9.40/.370	9.60/.378	SFP+	PAGE 2	PAGE 3
	74441-5010	YES	PLATED PER NOTE 3	1.10/.043						

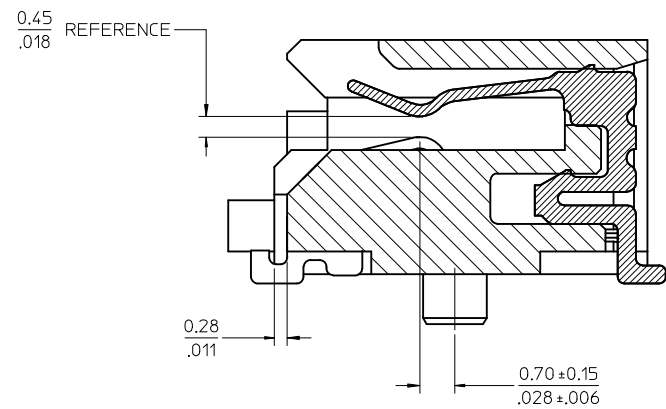
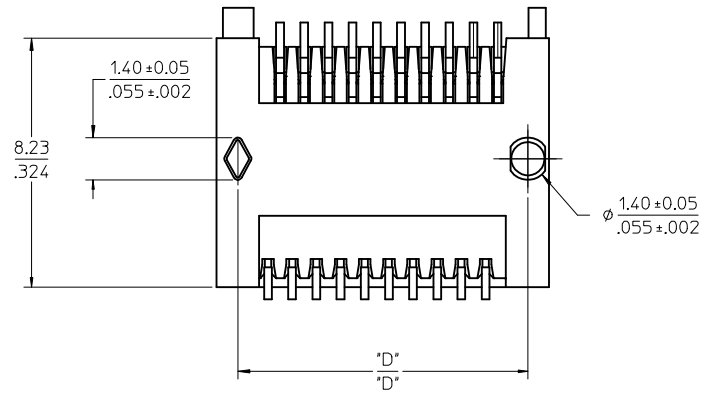
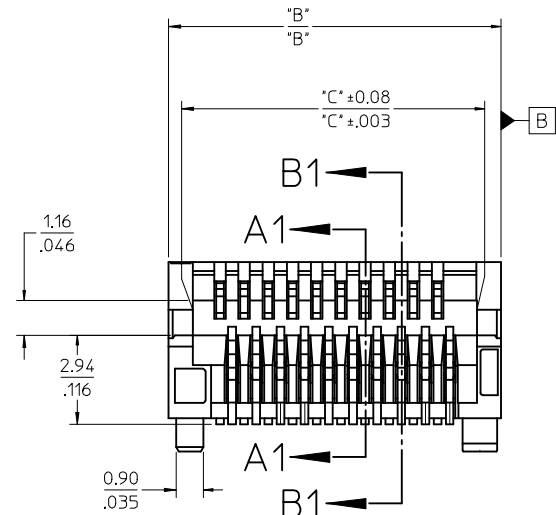
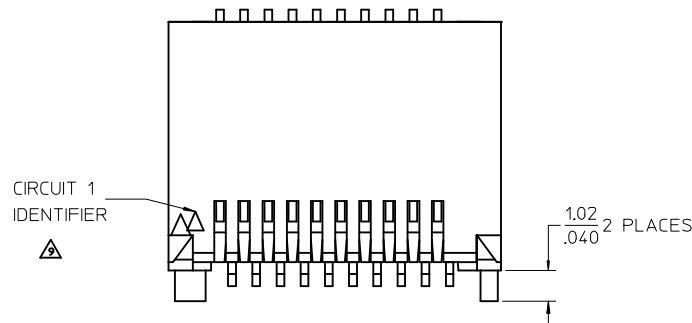


NOTES

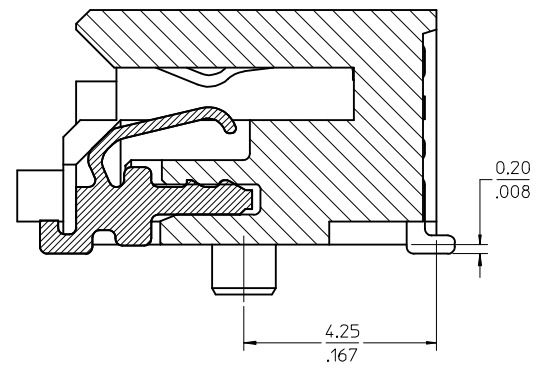
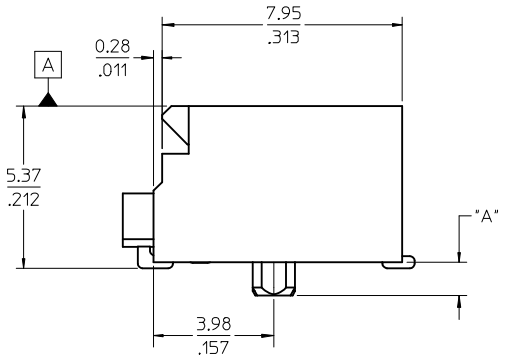
- MATERIAL:  
HOUSING - HIGH TEMPERATURE THERMOPLASTIC GLASS FILLED, UL 94V-0, BLACK  
TERMINALS - COPPER ALLOY
- PLATING:  
CONTACT AREA - 0.38 μm MIN GOLD OVER 2.54 μm MIN NICKEL  
SOLDER FOOT AREA - 2.54 - 5.09 μm TIN OVER 2.54 μm MIN NICKEL.
- PLATING:  
CONTACT AREA - 0.76 μm MIN GOLD OVER 2.54 μm NICKEL  
SOLDER AREA - 2.54 - 5.09 μm TIN OVER 2.54 μm MIN NICKEL
- PLATING:  
CONTACT AREA - 0.76 μm MIN GOLD OVER 2.54 μm NICKEL; LUBRICATED  
SOLDER AREA: GOLD FLASH OVER 2.54 μm MIN NICKEL.
- PLATING:  
CONTACT AREA - 0.76 μm MIN GOLD OVER 2.54 μm NICKEL;  
SOLDER AREA: GOLD FLASH OVER 2.54 μm MIN NICKEL.
- TERMINAL SOLDER FEET TO BE COPLANAR WITHIN 0.10/.004 FOR 20, 30 AND 40 CIRCUIT CONNECTORS  
TERMINAL SOLDER FEET TO BE COPLANAR WITHIN 0.15/.006 FOR 70 CIRCUIT CONNECTOR
- \* CONTACT PLANT FOR MORE INFORMATION
- DATE CODE: 4 DIGIT (3 DIGIT DATE, 1 DIGIT YEAR)
- THE CIRCUIT ONE INDICATOR MAY VARY IN SIZE AND APPEARANCE.

REMOVE TAIL POSITION EC NO: UCP2016-4520 DRWNSVANG01 2016/05/23 CHKD:BBARKER 2016/05/23 APPR:SMILLER 2016/07/25	QUALITY SYMBOLS	GENERAL TOLERANCES (UNLESS SPECIFIED)	DIMENSION STYLE	SCALE	DESIGN UNITS	THIRD ANGLE PROJECTION
	▽=0	mm INCH	MM/IN	1:1	METRIC	
	▽=0	4 PLACES ± --- ± ---	DRAWN BY DATE	SALES ASSEMBLY SFP PLUS HOST CONNECTOR 20 CIRCUIT <b>molex</b>		
	▽=0	3 PLACES ± --- ± .005	BBARKER 2007/01/23			
	2 PLACES ± 0.13 ± .010	CHECKED BY DATE	DOCUMENT NO. SD-74441-008 SHEET NO. 1 OF 3			
	1 PLACE ± 0.25 ± ---	MSIBARRA 2007/01/23				
	0 PLACE ± ±	APPROVED BY DATE	THIS DRAWING CONTAINS INFORMATION THAT IS PROPRIETARY TO MOLEX INCORPORATED AND SHOULD NOT BE USED WITHOUT WRITTEN PERMISSION			
		SMILLER 2007/01/23				
		ANGULAR ±1/2°	MATERIAL NO. SEE TABLE			
		DRAFT WHERE APPLICABLE MUST REMAIN WITHIN DIMENSIONS	SIZE C			



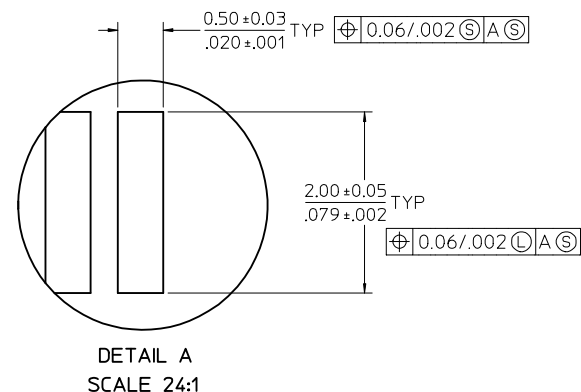
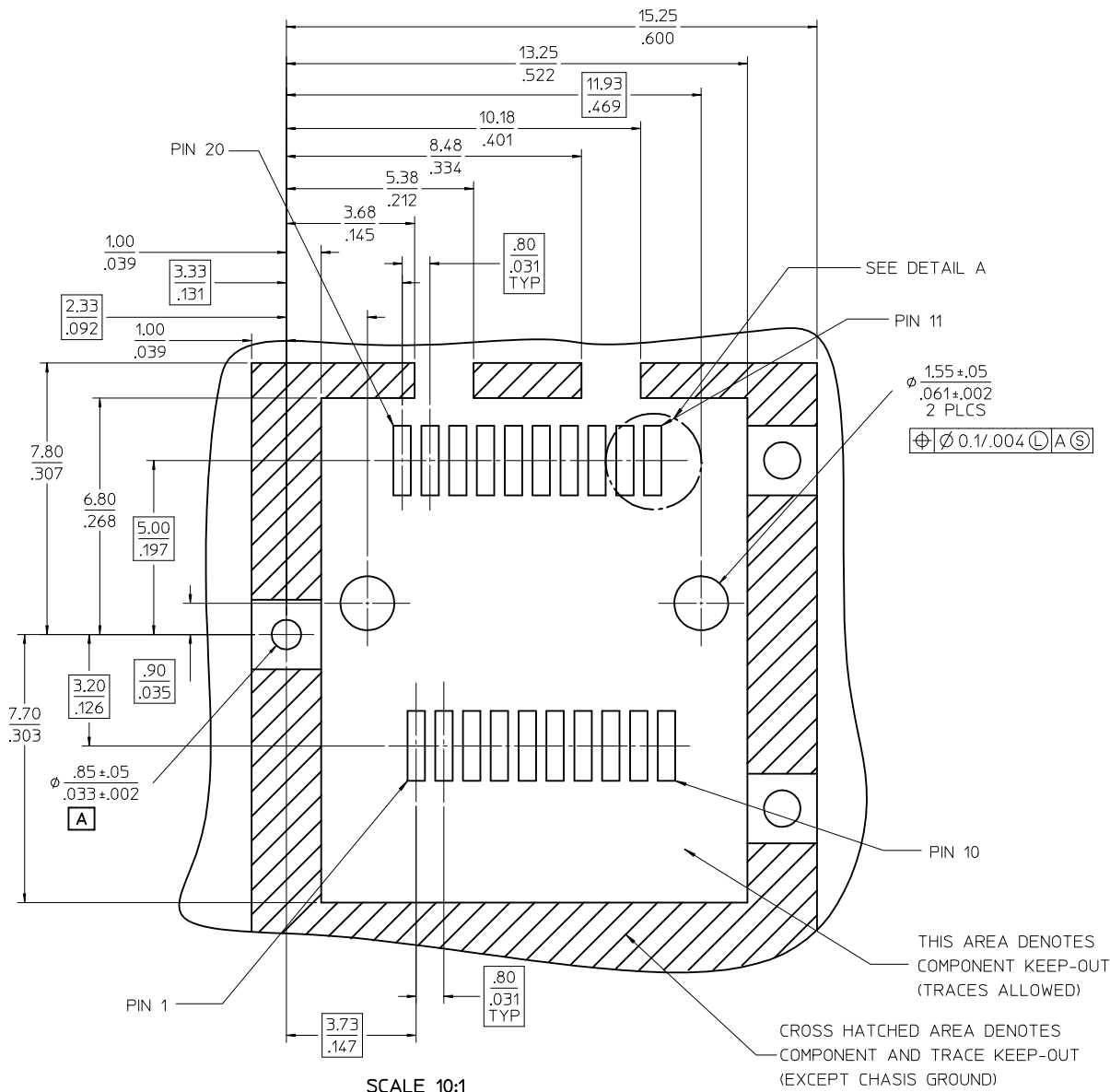


SECTION A1-A1  
SCALE 12:1



SECTION B1-B1  
SCALE 12:1

SEE SHEET 1 EC NO: UCP2016-4520 DRWNS:VANG01 2016/05/23 CHKD:BBARKER 2016/05/23 APPR:SMILLER 2016/07/25	QUALITY SYMBOLS ∇=0 ∇=0 ∇=0	GENERAL TOLERANCES (UNLESS SPECIFIED) <table border="1"> <tr> <th></th> <th>mm</th> <th>INCH</th> </tr> <tr> <td>4 PLACES</td> <td>± ---</td> <td>± ---</td> </tr> <tr> <td>3 PLACES</td> <td>± ---</td> <td>± .005</td> </tr> <tr> <td>2 PLACES</td> <td>± 0.13</td> <td>± .010</td> </tr> <tr> <td>1 PLACE</td> <td>± 0.25</td> <td>± ---</td> </tr> <tr> <td>0 PLACE</td> <td>±</td> <td>±</td> </tr> </table>		mm	INCH	4 PLACES	± ---	± ---	3 PLACES	± ---	± .005	2 PLACES	± 0.13	± .010	1 PLACE	± 0.25	± ---	0 PLACE	±	±	DIMENSION STYLE MM/IN DRAWN BY: BBARKER DATE: 2007/01/23 CHECKED BY: MSIBARRA DATE: 2007/01/23 APPROVED BY: SMILLER DATE: 2007/01/23	SCALE: 6:1 DESIGN UNITS: METRIC THIRD ANGLE PROJECTION	TITLE: SALES ASSEMBLY SFP PLUS HOST CONNECTOR 20 CIRCUIT <b>molex</b>	DOCUMENT NO.: SD-74441-008 SHEET NO.: 2 OF 3
		mm	INCH																					
	4 PLACES	± ---	± ---																					
	3 PLACES	± ---	± .005																					
2 PLACES	± 0.13	± .010																						
1 PLACE	± 0.25	± ---																						
0 PLACE	±	±																						
DRAFT WHERE APPLICABLE MUST REMAIN WITHIN DIMENSIONS	ANGULAR ±1/2°	SEE TBL, SHT 1	THIS DRAWING CONTAINS INFORMATION THAT IS PROPRIETARY TO MOLEX INCORPORATED AND SHOULD NOT BE USED WITHOUT WRITTEN PERMISSION																					



20 CIRCUIT MOTHER BOARD  
RECOMMENDED PCB LAYOUT

<b>SEE SHEET 1</b> EC NO: UCP2016-4520 DRWNS:VANG01 2016/05/23 CHKD:BBARKER 2016/05/23 APPR:SMILLER 2016/07/25	QUALITY SYMBOLS	GENERAL TOLERANCES (UNLESS SPECIFIED)	DIMENSION STYLE	SCALE	DESIGN UNITS	THIRD ANGLE PROJECTION
	▽=0	mm INCH	MM/IN	8:1	METRIC	
	▽=0	4 PLACES ± --- ± ---	DRAWN BY DATE	TITLE		
	▽=0	3 PLACES ± --- ± .005	BBARKER 2007/01/23	SALES ASSEMBLY SFP PLUS HOST CONNECTOR 20 CIRCUIT		
	2 PLACES ± 0.13 ± .010	CHECKED BY DATE	<b>molex</b> DOCUMENT NO. SD-74441-008 SHEET NO. 3 OF 3			
	1 PLACE ± 0.25 ± ---	MSIBARRA 2007/01/23				
	0 PLACE ± ±	APPROVED BY DATE	MATERIAL NO. SEE TBL, SHT 1 THIS DRAWING CONTAINS INFORMATION THAT IS PROPRIETARY TO MOLEX INCORPORATED AND SHOULD NOT BE USED WITHOUT WRITTEN PERMISSION			
		SMILLER 2007/01/23				