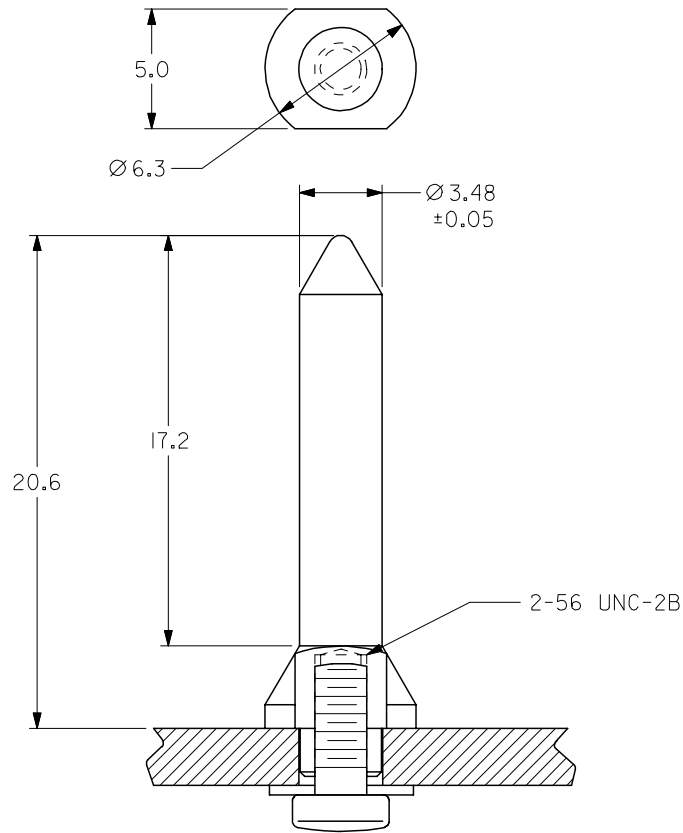
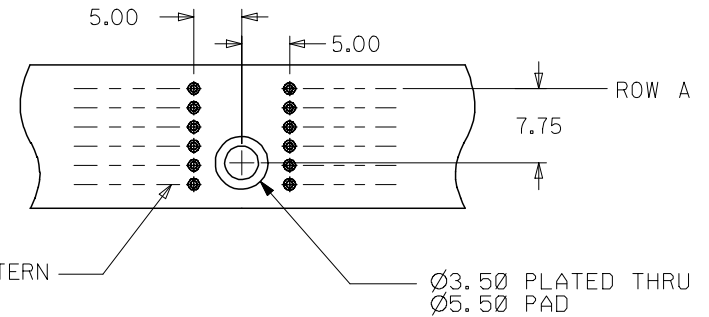


PART NUMBER	DESCRIPTION	SEMS SCREW	BOARD THICKNESS
73962-0000	STAND ALONE POST	NOT SUPPLIED	VARIOUS
73962-1000	KIT: POST w/ SCREW	73774-1000	5.25 - 7.5 mm
73962-2000	KIT: POST w/ SCREW	73774-1015	2.50 - 5.25 mm

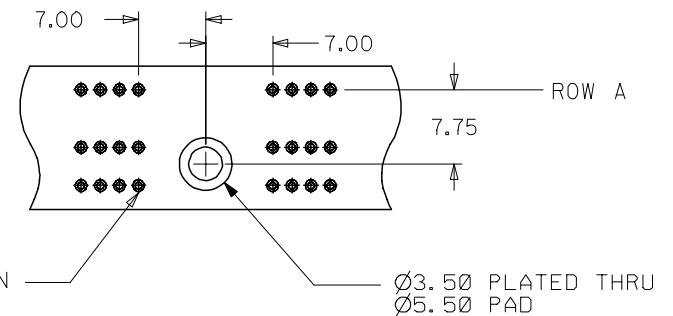


- NOTES:
1. MATERIAL: STAINLESS STEEL
 2. FINISH: PASSIVATE
 3. THIS PART CONFORMS TO MOLEX PRODUCT SPECIFICATION PS-73670-9999
 4. PARTS ARE BULK PACKED

BACKPLANE SIGNAL HOLE PATTERN
SCALE 2:1



BACKPLANE POWER HOLE PATTERN
SCALE 2:1



REV	DESCRIPTION	QUALITY SYMBOLS	GENERAL TOLERANCES (UNLESS SPECIFIED)		DIMENSION STYLE		SCALE	DESIGN UNITS	THIRD ANGLE PROJECTION		
			mm	INCH	MM ONLY	5:1	METRIC				
CHGD	SEMS SCREW		4 PLACES	± ---	± ---	DRAWN BY	DATE	TITLE			
EC NO:	UCF2005-1565		3 PLACES	± ---	± ---	JJONIAK	2005/09/29	HDM BACKPLANE MODULE			
THDRW:	JJONIAK 2005/10/06	▽=0	2 PLACES	± 0.13	± ---	CHECKED BY	DATE	GUIDE POST			
CHKD:	JJONIAK 2005/10/07	▽=0	1 PLACE	± 0.25	± ---	JJONIAK	2005/09/29	SALES ASSEMBLY			
APPR:	SPEED 2005/10/07		ANGULAR ±1/2°			APPROVED BY	DATE	MOLEX		MOLEX INCORPORATED	
			DRAFT WHERE APPLICABLE MUST REMAIN WITHIN DIMENSIONS			JJONIAK	2005/09/29	SD-73962-002		SHEET NO. 1 OF 1	
						MATERIAL NO.	DATE				
						SEE CHART	DATE				
						THIS DRAWING CONTAINS INFORMATION THAT IS PROPRIETARY TO MOLEX INCORPORATED AND SHOULD NOT BE USED WITHOUT WRITTEN PERMISSION	DATE				