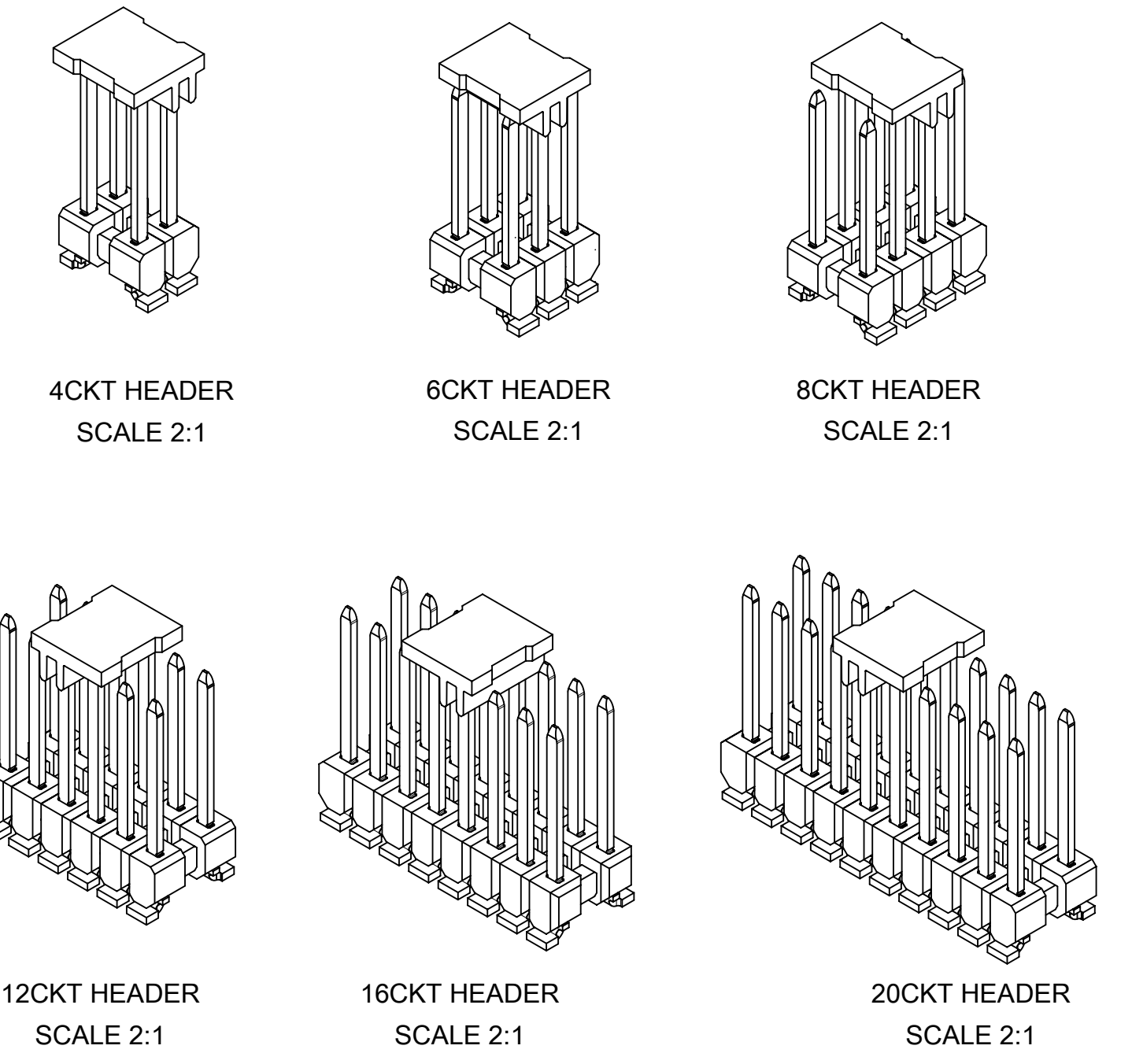


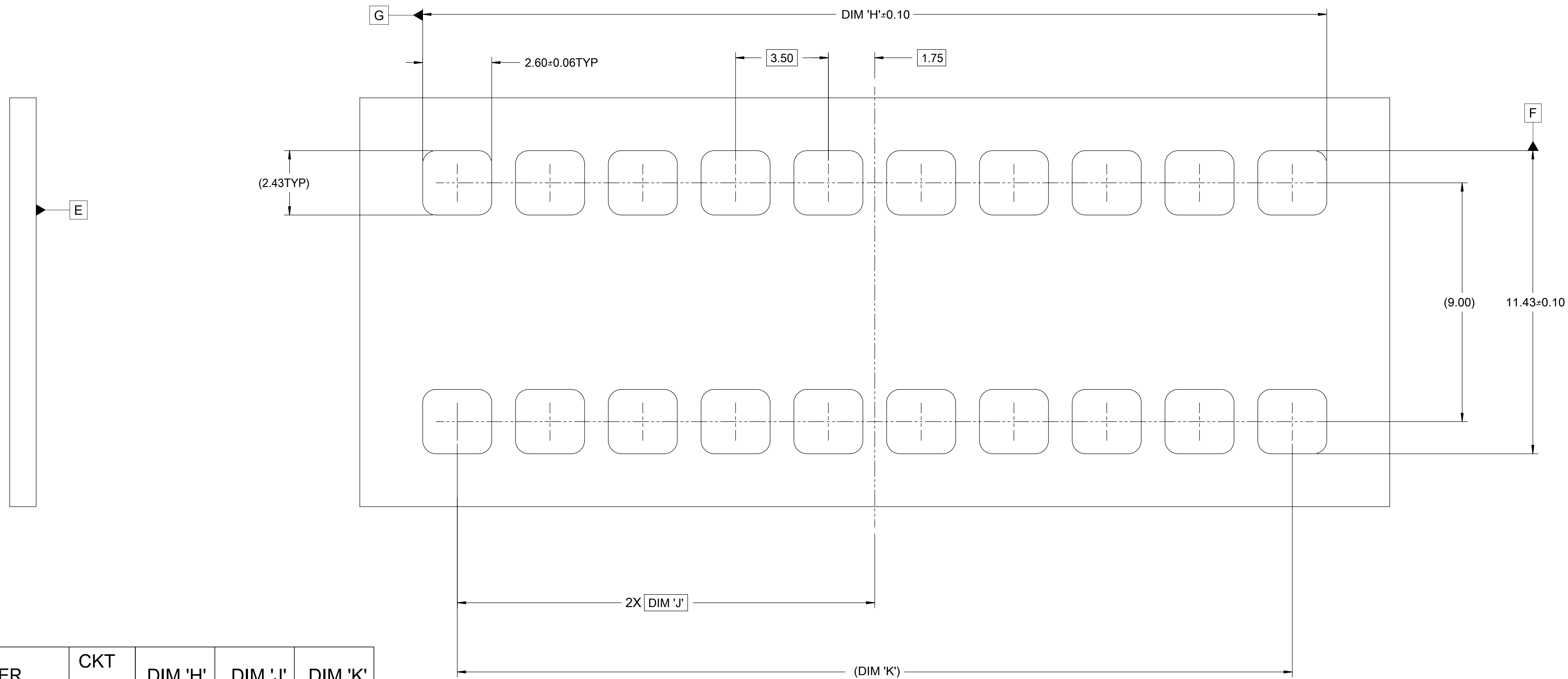
- NOTES: VALID UNLESS OTHERWISE SPECIFIED
- GENERAL:
 - PACKAGING SPECIFICATION PER MOLEX DRAWING: PK-31302-386
 - PARTS MUST BE IN COMPLIANCE TO MOLEX CHEMICAL SUBSTANCES FOR PRODUCTS AND PACKAGING SPECIFICATION: ES-40000-5016
 - DATA MUST BE SUBMITTED UNDER THE MOLEX PART NUMBER TO IMDS (COMPANY ID#13255)
 - PARTS MUST CONFORM TO ALL CURRENT REQUIREMENTS OF DIRECTIVE 2011/65/EU (EU RoHS COMPLIANT)
 - TERMINAL PUSH OUT FORCE 10.8N MINIMUM
 - DESIGN - MATERIALS:
 - WAFER: LCP+30%GF
 - PICK AND PLACE CAP: LCP+30%GF, UL94V-0
 - TERMINAL BLADE: C19400
 - TERMINAL PLATING: TIN OVER NICKEL OVERALL
 - DESIGN - GEOMETRY:
 - ALL GRAPHIC DATA IS BASIC (NO TOLERANCE) AND MUST BE TAKEN FROM THE DATA FILE AT ITS LATEST REVISION.
 - EDGES AND UNDIMENSIONED DETAILS PER ISO13715
 - CORNERS SHOWN AS SHARP TO BE R 0.2 MAX.
 - LETTERING SHALL BE 0.15 MAX RAISED IN 0.25 MAX RECESS PAD. THIS INCLUDES RECYCLING CODE, CAVITY ID, VENDOR IDENTIFICATION, AND CUSTOMER MATERIAL NUMBER.
 - DESIGN - MANUFACTURING:
 - VISUAL DEFECTS SHALL MEET COSMETIC STANDARD PS-45499-002 (Class B)
 - POSITION TOLERANCE OF PIN AT MATING SIDE SHOULD BE MAINTAINED AT 0.3MM IN THE FINAL MODULE BY CUSTOMER.
 - G DENOTES DIMENSIONS THAT CAN BE QUALIFIED WITH A GAUGE.
 - BLADE GEOMETRY DOES NOT CONFORM TO USCAR SPECIFICATIONS
 - PLEASE REFER USCAR WEBSITE FOR 1.5mm DIRECT CONNECT INTERFACE (SHROUD) DETAILS
 - PLEASE REFER SD-33472-0001 FOR 2 X 10 SHROUD DETAILS



ASSEMBLY PART NUMBER	STATUS	CIRCUIT SIZE	COMPONENT DESCRIPTION	COMPONENT QUANTITY	DIM 'A'	DIM 'B'	DIM 'C'	DIM 'D'	TOOLED
75757-4205	OBSOLETE	20	20CKT WAFER	1	35.00	31.50	21.40	15.60	YES
			MX150 BLADE	20					
75757-4200		20	20CKT WAFER	1	35.00	31.50	21.40	15.60	YES
			MX150 BLADE	20					
			PICK&PLACE CAP	1					
75757-4165	OBSOLETE	16	16CKT WAFER	1	28.00	24.50	21.40	15.60	YES
			MX150 BLADE	16					
75757-4160		16	16CKT WAFER	1	28.00	24.50	21.40	15.60	YES
			MX150 BLADE	16					
			PICK&PLACE CAP	1					
75757-4125	OBSOLETE	12	12 CKT WAFER	1	21.00	17.50	21.40	15.60	YES
			MX150 BLADE	12					
75757-4120		12	12 CKT WAFER	1	21.00	17.50	21.40	15.60	YES
			MX150 BLADE	12					
			PICK&PLACE CAP	1					
75757-4085	OBSOLETE	8	8CKT WAFER	1	14.00	10.50	21.40	15.60	YES
			MX150 BLADE	8					
75757-4080		8	8CKT WAFER	1	14.00	10.50	21.40	15.60	YES
			MX150 BLADE	8					
			PICK&PLACE CAP	1					
75757-4065	OBSOLETE	6	6CKT WAFER	1	10.50	7.00	21.40	15.60	YES
			MX150 BLADE	6					
75757-4060		6	6CKT WAFER	1	10.50	7.00	21.40	15.60	YES
			MX150 BLADE	6					
			PICK&PLACE CAP	1					
75757-4045	OBSOLETE	4	4CKT WAFER	1	7.00	3.50	21.40	15.60	YES
			MX150 BLADE	4					
75757-4040		4	4CKT WAFER	1	7.00	3.50	21.40	15.60	YES
			MX150 BLADE	4					
			PICK&PLACE CAP	1					

SYMBOLS	THIS DRAWING CONTAINS INFORMATION THAT IS PROPRIETARY TO MOLEX ELECTRONIC TECHNOLOGIES, LLC AND SHOULD NOT BE USED WITHOUT WRITTEN PERMISSION		CURRENT REV DESC:		
	DIMENSION UNITS	SCALE			
▽ = 0	MM	7:1			MX150 STICK HEADER ASSEMBLY SALES DRAWING
▽ = 0	GENERAL TOLERANCES (UNLESS SPECIFIED)				
▽ = 0	ANGULAR TOL ± 1.0°				PRODUCT CUSTOMER DRAWING
▽ = 0	4 PLACES	±			
▽ = 0	3 PLACES	±			DOCUMENT NUMBER: SD-75757-400 DOC TYPE: PSD DOC PART: 001 REVISION: G4
▽ = 0	2 PLACES	± 0.13			
▽ = 0	1 PLACE	± 0.25			MATERIAL NUMBER: SEE TABLE CUSTOMER: GENERAL MARKET SHEET NUMBER: 1 OF 2
▽ = 0	0 PLACES	±			
■ = 0	DRAFT WHERE APPLICABLE MUST REMAIN WITHIN DIMENSIONS		THIRD ANGLE PROJECTION	DRAWING: D-SIZE	SERIES: 75757

RECOMMENDED PCB LAYOUT



PART NUMBER	CKT SIZE	DIM 'H'	DIM 'J'	DIM 'K'
75757-4205 OR 4200	20	34.10	15.75	31.50
75757-4165 OR 4160	16	27.10	12.25	24.50
75757-4125 OR 4120	12	20.10	8.75	17.50
75757-4085 OR 4080	8	13.10	5.25	10.50
75757-4065 OR 4060	6	9.60	3.5	7.0
75757-4045 OR 4040	4	6.10	1.75	3.50

SYMBOLS	THIS DRAWING CONTAINS INFORMATION THAT IS PROPRIETARY TO MOLEX ELECTRONIC TECHNOLOGIES, LLC AND SHOULD NOT BE USED WITHOUT WRITTEN PERMISSION		
	DIMENSION UNITS	SCALE	CURRENT REV DESC:
▽ = 0	MM	10:1	<p>molex</p> <p>MX150 STICK HEADER ASSEMBLY SALES DRAWING</p> <p>PRODUCT CUSTOMER DRAWING</p> <p>DOCUMENT NUMBER: SD-75757-400 DOC TYPE: PSD DOC PART: 001 REVISION: G4</p> <p>MATERIAL NUMBER: SEE TABLE CUSTOMER: GENERAL MARKET SHEET NUMBER: 2 OF 2</p>
▽ = 0	GENERAL TOLERANCES (UNLESS SPECIFIED)		
▽ = 0	ANGULAR TOL ± 1.0°		
▽ = 0	4 PLACES	±	
▽ = 0	3 PLACES	±	
▽ = 0	2 PLACES	± 0.13	
▽ = 0	1 PLACE	± 0.25	
▽ = 0	0 PLACES	±	
□ = 0	DRAFT WHERE APPLICABLE MUST REMAIN WITHIN DIMENSIONS		<p>EC NO: 624897</p> <p>DRWN: RYELAVATTITH 2019/09/26</p> <p>CHK'D: AKUMARMS 2019/10/01</p> <p>APPR: SNAYAK01 2019/10/04</p> <p>INITIAL REVISION:</p> <p>DRWN: JFISCHER01 2014/11/05</p> <p>APPR: RBAUMAN 2014/11/13</p>
⊕ = 0	THIRD ANGLE PROJECTION	DRAWING	SERIES
		D-SIZE	75757