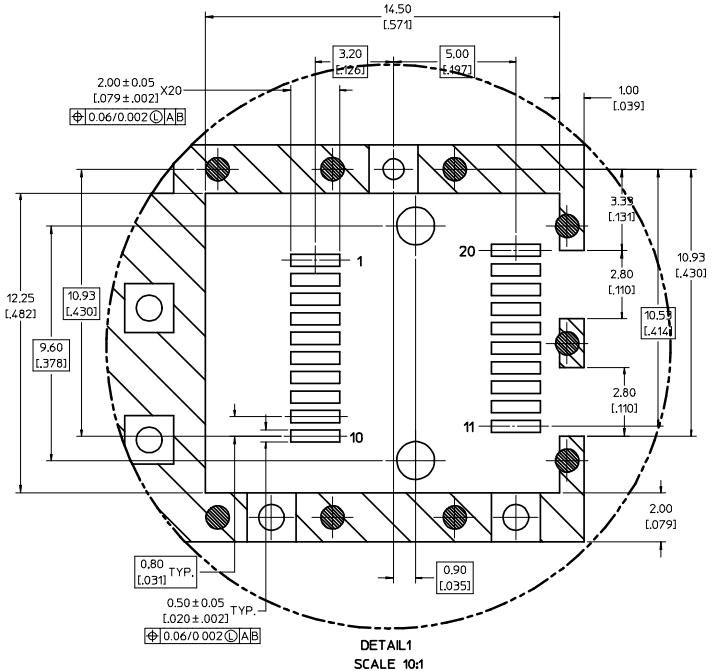
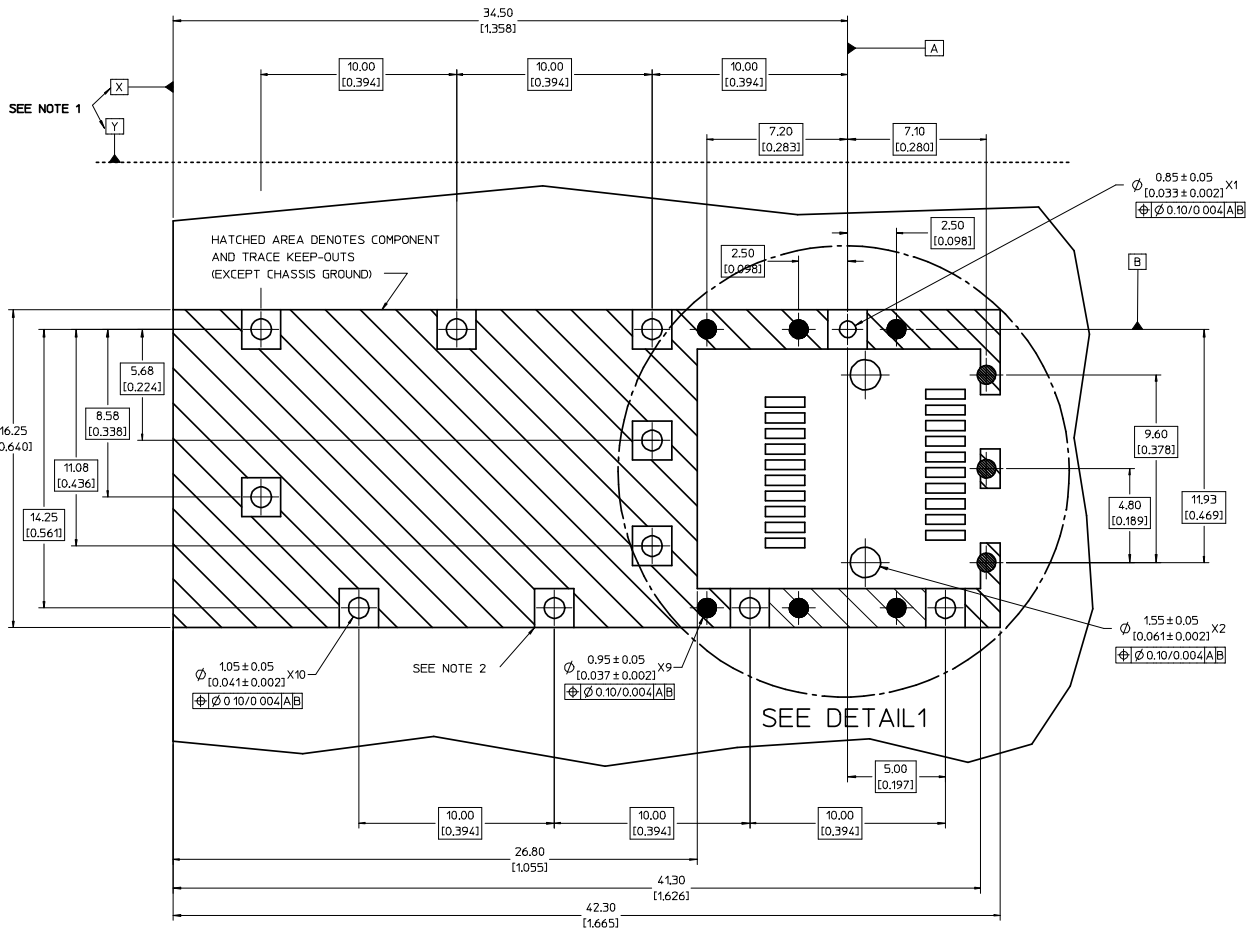


- NOTES:
1. PRESS-FIT LEGS 3.05 [0.120] LONG - 1.57 [0.062] MINIMUM PCB THICKNESS FOR SINGLE SIDED USE. INSERTION FORCE INTO PCB <100 LBS
 2. MATERIAL- COPPER ALLOY PLATING - PRE-PLATED NICKEL
 3. REFERENCE DOCUMENTS: PRODUCT SPECIFICATIONS: PS-74728-000 COSMETIC SPECIFICATIONS: WI-HP-7-2774 AND WI-HPA-7-0093
 4. MATES WITH SERIES 74748 LIGHT PIPE COVER ASSEMBLY.
 5. THIS PART MEETS THE RESTRICTION OF HAZARDOUS SUBSTANCES IN ELECTRICAL AND ELECTRONIC EQUIPMENT (ROHS) DIRECTIVE(2002/95/EC).

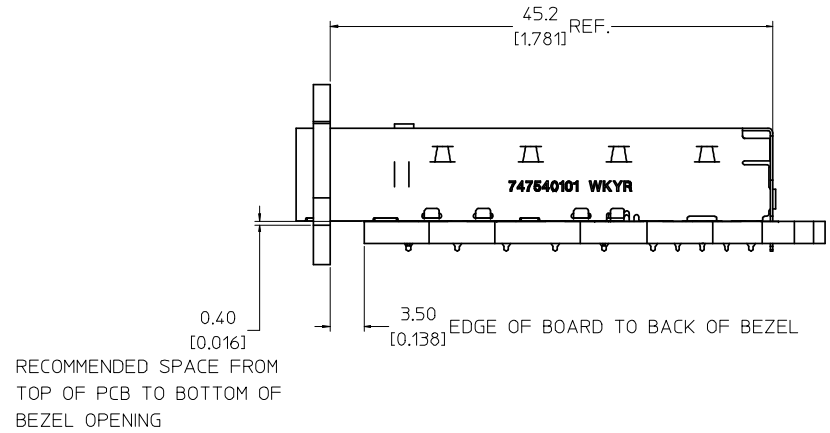
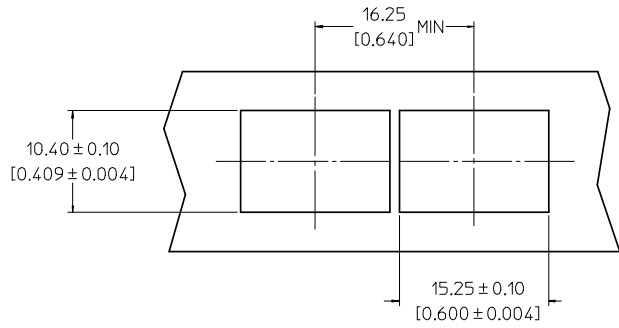
RELEASED IEC NO: USY2008-0323 DRAWN: JRESENDE 2008/02/29 CHYK: JRESENDE 2008/02/29 APPR: JRESENDE 2008/03/01 REV DESCRIPTION	QUALITY SYMBOLS ▽=0 ▽=0	GENERAL TOLERANCES (UNLESS SPECIFIED) 4 PLACES ±--- ±--- 3 PLACES ±--- ±--- 2 PLACES ±0.13 ±--- 1 PLACE ±0.25 ±--- ANGULAR ±1/2°	DIMENSION STYLE MM/IN SCALE 4:1 DESIGN UNITS METRIC THIRD ANGLE PROJECTION	DRAWN BY DATE JRESENDE 08/01/31 CHECKED BY DATE JRESENDE 08/01/31 APPROVED BY DATE KJANOTA 08/01/31	TITLE SFP+ 1X1 CAGE ASSEMBLY
	DRAFT WHERE APPLICABLE MUST REMAIN WITHIN DIMENSIONS	MATERIAL NO. 747540121	DOCUMENT NO. SD-74754-121	MOLEX INCORPORATED	SHEET NO 1 OF 3



1. DATUM AND BASIC DIMENSIONS ESTABLISHED BY CUSTOMER
2. PADS AND VIAS ARE CHASSIS GROUND. PADS ARE TO BE 2mm SQUARE.
3. HOLE LAYOUT SHOWN FOR SINGLE SIDED MOUNTING ONLY.
4. CONNECTOR AND PAD LAYOUT PER SFP MSA. WILL ACCOMODATE MOLEX CONNECTOR SERIES 74441 OR EQUIVALENT.

RELEASED EC NO.: USY2008-0323 DRAWN: JRESENDE 2008/02/29 CHKD: JRESENDE 2008/02/29 APPR: JRESENDE 2008/03/01 REV DESCRIPTION	QUALITY SYMBOLS ▽=0 ▽=0		GENERAL TOLERANCES (UNLESS SPECIFIED) mm INCH 4 PLACES ±--- ±--- 3 PLACES ±--- ±--- 2 PLACES ±0.13 ±--- 1 PLACE ±0.25 ±--- ANGULAR ±1/2°		DIMENSION STYLE MM/IN DRAWN BY DATE JRESENDE 08/01/31 CHECKED BY DATE JRESENDE 08/01/31 APPROVED BY DATE KJANOTA 08/01/31		SCALE 1:1 DESIGN UNITS METRIC THIRD ANGLE PROJECTION TITLE SFP+ 1X1 CAGE ASSEMBLY	
	DRAFT WHERE APPLICABLE MUST REMAIN WITHIN DIMENSIONS		MATERIAL NO. 747540121 DOCUMENT NO. SD-74754-121		MOLEX MOLEX INCORPORATED		SHEET NO. 2 OF 3	
	THIS DRAWING CONTAINS INFORMATION THAT IS PROPRIETARY TO MOLEX INCORPORATED AND SHOULD NOT BE USED WITHOUT WRITTEN PERMISSION							
	SIZE D							

BEZEL AND BOARD POSITION DIMENSIONS FOR SINGLE SIDE MOUNT



RELEASED EIC NO.: USY2008-0323 DRAWN: JRESENDE 2008/02/29 CHYK: APPR.: JRESENDE 2008/03/01 REV:	QUALITY SYMBOLS	GENERAL TOLERANCES (UNLESS SPECIFIED)	DIMENSION STYLE	SCALE	DESIGN UNITS	THIRD ANGLE PROJECTION
	▼=0 ▽=0	mm INCH 4 PLACES ± --- ± --- 3 PLACES ± --- ± --- 2 PLACES ± 0.13 ± --- 1 PLACE ± 0.25 ± --- ANGULAR ± 1/2°	MM/IN 1:1	DRAWN BY: JRESENDE CHECKED BY: JRESENDE APPROVED BY: KJANOTA	DATE: 08/01/31 DATE: 08/01/31 DATE: 08/01/31	TITLE: SFP+ 1X1 CAGE ASSEMBLY
	DRAFT WHERE APPLICABLE MUST REMAIN WITHIN DIMENSIONS	MATERIAL NO.: 747540121 SIZE: D	MOLEX INCORPORATED	DOCUMENT NO.: SD-74754-121	SHEET NO.: 3 OF 3	
	THIS DRAWING CONTAINS INFORMATION THAT IS PROPRIETARY TO MOLEX INCORPORATED AND SHOULD NOT BE USED WITHOUT WRITTEN PERMISSION					