

745254-7 ✓ ACTIVE

## AMPLIMITE

TE Internal #: 745254-7

D-Sub Connector Contacts, Pin, Size 20, Brass, Gold, Crimp, 26 – 22 AWG Wire Size, .15 – .4 mm<sup>2</sup> Wire Size, Cable-to-Cable, Wire & Cable, 2 A, Signal

[View on TE.com >](#)



Connectors > D-Shaped Connectors > D-Sub Connector Contacts > D-Sub Connector Contacts: Pin, Brass, Signal, Size 20



Contact Type: **Pin**

D-Sub Contact Size: **20**

Contact Base Material: **Brass**

Contact Mating Area Plating Material: **Gold**

Termination Method to Wire & Cable: **Crimp**

[All D-Sub Connector Contacts: Pin, Brass, Signal, Size 20 \(55\)](#)

## Features

### Product Type Features

Product Type	Contact
Grade	Standard
Connector System	Cable-to-Cable
Connector & Contact Terminates To	Wire & Cable

### Body Features

Color Code	Yellow Dot
------------	------------

### Contact Features

	1 μin
Pin Diameter	1.02 mm[.04 in]
Contact Type	Pin
D-Sub Contact Size	20
Contact Base Material	Brass



Contact Mating Area Plating Material	Gold
--------------------------------------	------

Contact Current Rating (Max)	2 A
------------------------------	-----

### Termination Features

Termination Method to Wire & Cable	Crimp
------------------------------------	-------

### Mechanical Attachment

Contact Retention Type Within Housing	Snap-In
---------------------------------------	---------

Wire Insulation Support	With
-------------------------	------

### Dimensions

	.05 in
--	--------

Accepts Wire Insulation Diameter Range	1.01 – 1.27 mm [.04 – .05 in]
----------------------------------------	-------------------------------

Wire Size	.15 – .4 mm <sup>2</sup>
-----------	--------------------------

### Usage Conditions

Operating Temperature Range	-55 – 105 °C [-67 – 221 °F]
-----------------------------	-----------------------------

### Operation/Application

For Use With	AMPLIMITE HDP-20, CPC Connectors
--------------	----------------------------------

Circuit Application	Signal
---------------------	--------

### Packaging Features

Packaging Quantity	1000
--------------------	------

Packaging Method	Loose Piece
------------------	-------------

### Product Compliance

[For compliance documentation, visit the product page on TE.com>](#)

EU RoHS Directive 2011/65/EU	Compliant
------------------------------	-----------

EU ELV Directive 2000/53/EC	Compliant
-----------------------------	-----------

China RoHS 2 Directive MIIT Order No 32, 2016	No Restricted Materials Above Threshold
-----------------------------------------------	-----------------------------------------

EU REACH Regulation (EC) No. 1907/2006	Current ECHA Candidate List: JUNE 2022 (224) Candidate List Declared Against: JAN 2022 (223) SVHC > Threshold: Not Yet Reviewed
----------------------------------------	------------------------------------------------------------------------------------------------------------------------------------------

Halogen Content	Low Halogen - Br, Cl, F, I < 900 ppm per homogenous material. Also BFR/CFR/PVC Free
-----------------	-------------------------------------------------------------------------------------

Solder Process Capability	Not applicable for solder process capability
---------------------------	----------------------------------------------



Product Compliance Disclaimer

This information is provided based on reasonable inquiry of our suppliers and represents our current actual knowledge based on the information they provided. This information is subject to change. The part numbers that TE has identified as EU RoHS compliant have a maximum concentration of 0.1% by weight in homogenous materials for lead, hexavalent chromium, mercury, PBB, PBDE, DBP, BBP, DEHP, DIBP, and 0.01% for cadmium, or qualify for an exemption to these limits as defined in the Annexes of Directive 2011/65/EU (RoHS2). Finished electrical and electronic equipment products will be CE marked as required by Directive 2011/65/EU. Components may not be CE marked. Additionally, the part numbers that TE has identified as EU ELV compliant have a maximum concentration of 0.1% by weight in homogenous materials for lead, hexavalent chromium, and mercury, and 0.01% for cadmium, or qualify for an exemption to these limits as defined in the Annexes of Directive 2000/53/EC (ELV). Regarding the REACH Regulation, the information TE provides on SVHC in articles for this part number is based on the latest European Chemicals Agency (ECHA) 'Guidance on requirements for substances in articles' posted at this URL: <https://echa.europa.eu/guidance-documents/guidance-on-reach>

Compatible Parts



TE Part # CAT-AM71-C83998M  
CPC SERIES 2



TE Part # CAT-AM71-C83998BB  
CPC SERIES 3



TE Part # 1579007-9  
EXTRACTION TOOL



TE Part # 91285-1  
INSERT/EXTRACT TOOL ASSEMBLY

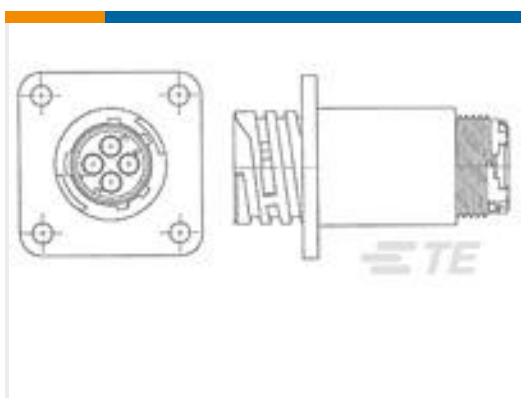


TE Part # 91525-1  
CCII AMPLIMITE HDP-20 PIN SKT 26-22 ASSY

Customers Also Bought



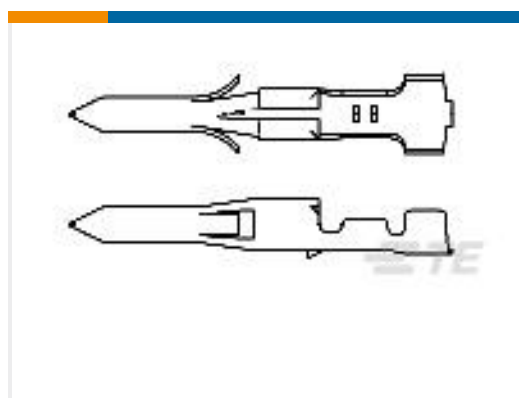
TE Part #1-175195-3  
DYNAMIC D-3 REC CONT/M AU 0.76



TE Part #788154-2  
SLD CPC RCPT ASSY,11-4,REV SEX



TE Part #6648428-1  
CONTACT,SKT,SIZE #0



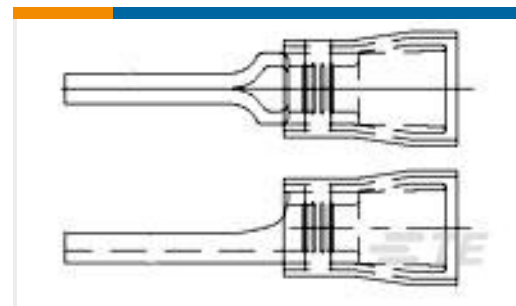
TE Part #794018-1  
.062 CP&S PIN PTPBR L/P 30-24



TE Part #794824-1  
16P MINI UMNL PLUG HSG



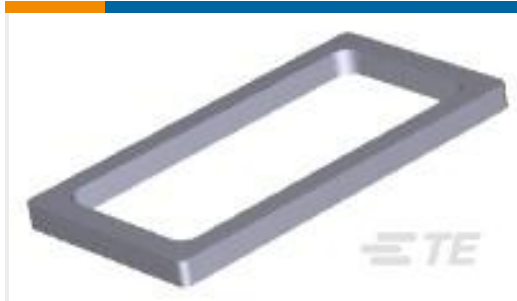
TE Part #52961-1  
TERMINAL,PG SPR SPD 12-10 6



TE Part #165085-1  
PG WIRE PIN YELLOW



TE Part #2-178802-3  
DYNAMICD3100 TAB HSG 3P PM Y-KE



TE Part #1-1586362-6  
16P MINI UMNL SEAL, DIE CUT



TE Part #1-1586359-6  
16P MINIUMNL GANG WIRE SEAL DR

## Documents

### Product Drawings

#### 20 DF PIN CONT L.P.

English

### CAD Files

#### 3D PDF

3D

#### Customer View Model

[ENG\\_CVM\\_CVM\\_745254-7\\_AE\\_c-745254-7-ae.2d\\_dxf.zip](#)

English

#### Customer View Model

[ENG\\_CVM\\_CVM\\_745254-7\\_AE\\_c-745254-7-ae.3d\\_igs.zip](#)

English

#### Customer View Model

[ENG\\_CVM\\_CVM\\_745254-7\\_AE\\_c-745254-7-ae.3d\\_stp.zip](#)

English

By downloading the CAD file I accept and agree to the [Terms and Conditions](#) of use.

### Datasheets & Catalog Pages

#### AMP Circular Connectors for Commercial Signal & Power Applications

English

#### Signal Contacts

English

#### AMPLIMITE Subminiature D Connectors - Cable Connectors

English

#### AMPLIMITE Cable Connectors and Shielding Hardware Kits QRG

English



---

**Product Specifications**

**Application Specification**

English

**Application Specification**

English

---

**Product Environmental Compliance**

**TE Material Declaration**

English

---

**Instruction Sheets**

**Instruction Sheet (U.S.)**

English