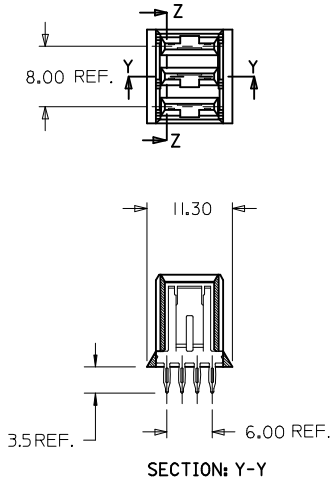
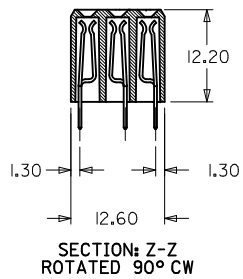
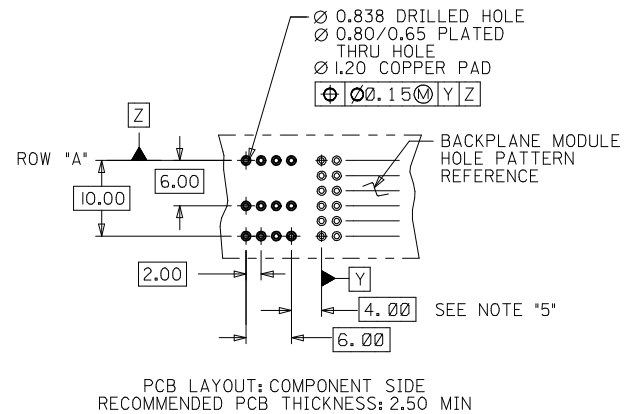


NOTES:

1. MATERIALS: HOUSING - LIQUID CRYSTAL POLYMER (LCP)  
GLASS-FILLED, UL 94V-0  
TERMINALS - COPPER ALLOY
2. FINISH: SELECTIVE GOLD (Au) 0.76 MICROMETERS MINIMUM  
IN CONTACT AREA. SELECTIVE MATTE TIN (Sn) ON PCB TAILS.  
NICKEL (Ni) OVERALL ON REMAINING WITH SEL. GOLD FLASH.
3. PACKAGE PER: PK-70873-0819
4. THIS DIMENSION MUST BE A MULTIPLE OF 4.00mm.
5. REFER TO MOLEX PRODUCT SPECIFICATION PS-73670-9999 FOR  
PERFORMANCE SPECIFICATIONS.
6. THIS PART CONFORMS TO MOLEX COSMETIC SPECIFICATION  
PS-45499-002 CLASS B.



\*LEAD FREE\*



INITIAL RELEASE EC NO: UCP2013-0889 DRWN: MWOLFE 2012/08/30 CHKD: SYANG 2012/08/30 APPR: SMILLER 2012/08/31	DESCRIPTION REV: A	QUALITY SYMBOLS ▽=0 ▽=0 ▽=0	GENERAL TOLERANCES (UNLESS SPECIFIED)		DIMENSION STYLE <b>MM ONLY</b>		SCALE	DESIGN UNITS METRIC	THIRD ANGLE PROJECTION				
			4 PLACES	±	---	±	---	DRAWN BY MWOLFE	DATE 2012/08/30	TITLE <b>HDM LEAD FREE BACKPLANE POWER MODULE (PRESS FIT)</b>			
			3 PLACES	±	---	±	---	CHECKED BY SVANG	DATE 2012/08/30				
			2 PLACES	±	---	±	---	APPROVED BY SMILLER		DATE 2012/08/31	<b>molex</b> DOCUMENT NO. SD-75894-0001 SHEET NO. 1 OF 1		
			1 PLACE	±	---	±	---	MATERIAL NO. <b>75894-0001</b>					
0 PLACE	±	---	±	---	ANGULAR ±1/2°		DRAFT WHERE APPLICABLE MUST REMAIN WITHIN DIMENSIONS		THIS DRAWING CONTAINS INFORMATION THAT IS PROPRIETARY TO MOLEX INCORPORATED AND SHOULD NOT BE USED WITHOUT WRITTEN PERMISSION				