

745530-4 ✓ ACTIVE

AMPLIMITE | AMPLIMITE Kit

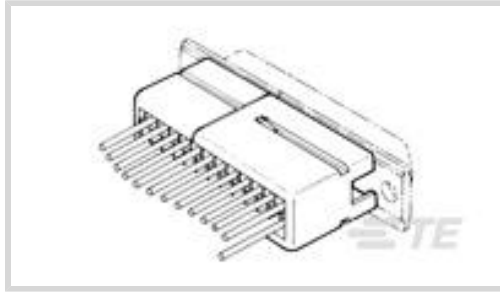
TE Internal #: 745530-4

D-Sub Covers, Unshielded Cable Clamp, 37 Position, AMPLIMITE Kit

[View on TE.com >](#)



Connectors > D-Shaped Connectors > D-Sub Accessories > D-Sub Covers



Connector Cover Type: **Unshielded Cable Clamp**

Number of Positions: **37**

Features

Product Type Features

Product Type	Accessory
Connector Cover Type	Unshielded Cable Clamp

Configuration Features

Number of Positions	37
---------------------	----

Packaging Features

Packaging Method	Kit
Packaging Quantity	1

Product Compliance

[For compliance documentation, visit the product page on TE.com>](#)

EU RoHS Directive 2011/65/EU	Compliant
EU ELV Directive 2000/53/EC	Compliant
China RoHS 2 Directive MIIT Order No 32, 2016	No Restricted Materials Above Threshold

EU REACH Regulation (EC) No. 1907/2006

Current ECHA Candidate List: JUNE 2022 (224)

Candidate List Declared Against: JUNE 2022 (224)

SVHC > Threshold:

1,6,7,8,9,14,15,16,17,17,18,18-

dodecachloropentacyclo

[12.2.1.16,9.02,13.05,10]octadeca-7,15-

diene (Dechlorane Plus) (17% in

Component Part)

Article Safe Usage Statements:

Wash thoroughly after handling. Do not handle until all safety precautions have been read and understood. Recycle if possible and dispose of the article by following all applicable governmental regulations relevant to your geographic location.

Halogen Content

Not Low Halogen - contains Br or Cl > 900 ppm.

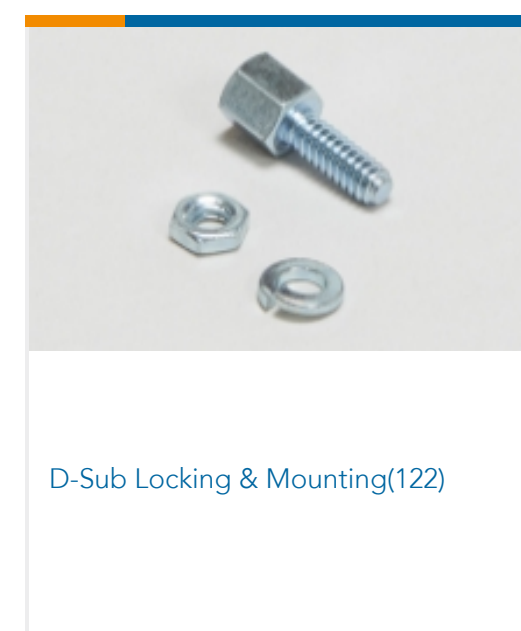
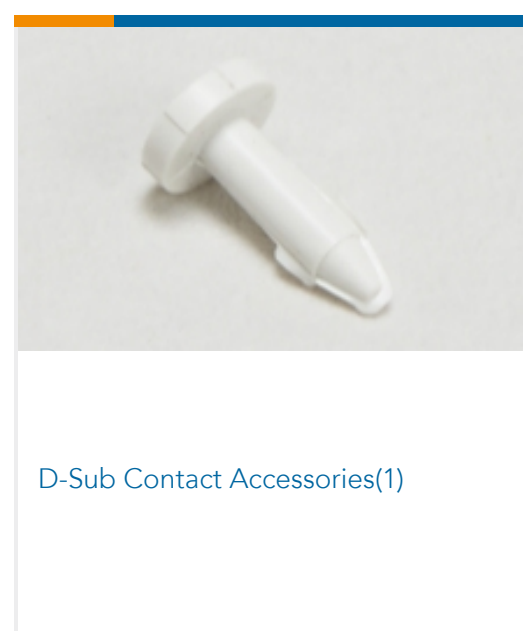
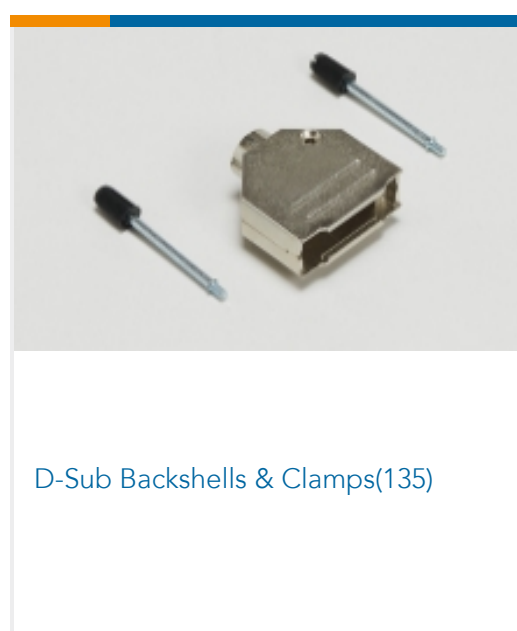
Solder Process Capability

Not applicable for solder process capability

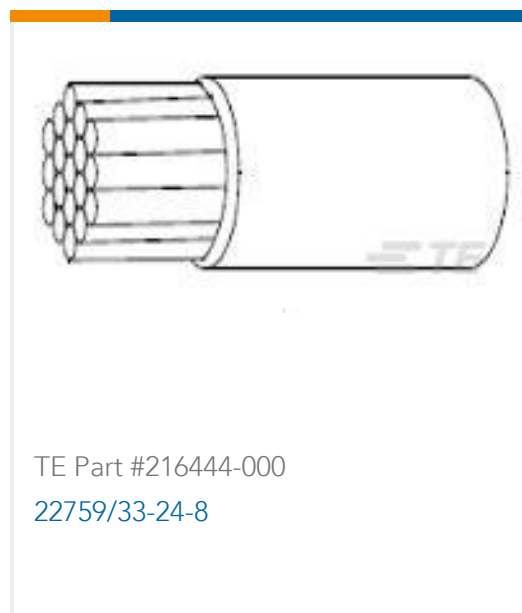
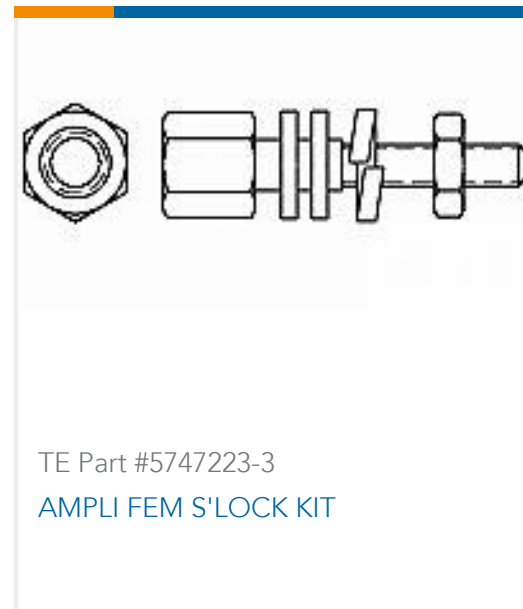
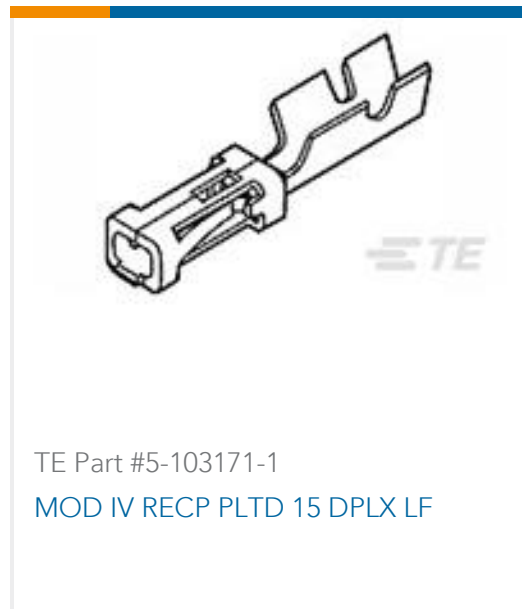
Product Compliance Disclaimer

This information is provided based on reasonable inquiry of our suppliers and represents our current actual knowledge based on the information they provided. This information is subject to change. The part numbers that TE has identified as EU RoHS compliant have a maximum concentration of 0.1% by weight in homogenous materials for lead, hexavalent chromium, mercury, PBB, PBDE, DBP, BBP, DEHP, DIBP, and 0.01% for cadmium, or qualify for an exemption to these limits as defined in the Annexes of Directive 2011/65/EU (RoHS2). Finished electrical and electronic equipment products will be CE marked as required by Directive 2011/65/EU. Components may not be CE marked. Additionally, the part numbers that TE has identified as EU ELV compliant have a maximum concentration of 0.1% by weight in homogenous materials for lead, hexavalent chromium, and mercury, and 0.01% for cadmium, or qualify for an exemption to these limits as defined in the Annexes of Directive 2000/53/EC (ELV). Regarding the REACH Regulation, the information TE provides on SVHC in articles for this part number is based on the latest European Chemicals Agency (ECHA) 'Guidance on requirements for substances in articles' posted at this URL: <https://echa.europa.eu/guidance-documents/guidance-on-reach>

Compatible Parts

Also in the Series | **AMPLIMITE Kit**

Customers Also Bought



Documents

Product Drawings

37 POS COVER KIT

English

CAD Files

3D PDF

3D

Customer View Model

[ENG_CVM_CVM_745530-4_G.2d_dxf.zip](#)

English

Customer View Model

[ENG_CVM_CVM_745530-4_G.3d_igs.zip](#)

English

Customer View Model

[ENG_CVM_CVM_745530-4_G.3d_stp.zip](#)

English

By downloading the CAD file I accept and agree to the [Terms and Conditions](#) of use.

Datasheets & Catalog Pages



[AMPLIMITE Subminiature D Connectors - Cable Connectors](#)

English

[AMPLIMITE Cable Connectors and Shielding Hardware Kits QRG](#)

English

[Instruction Sheets](#)

[Instruction Sheet \(U.S.\)](#)

English

[AMPLIMITE HIGH DENSITY HDE-20 LOW PROFILE SLIDE-ON COVER](#)

English