

PART NO. AND WEEK/YEAR DATE CODE TO BE STAMPED ON THE SIDE OF COMPLETED CAGE ASSEMBLY APPROXIMATELY AS SHOWN

WEEK/YEAR DATE CODE TABLE	
WK	01 THRU 52 OR 53 EXAMPLE: 01 = FIRST WEEK OF YEAR 52= LAST WEEK OF THE YEAR
YR	17, 18, 19 ETC. EXAMPLE: YEAR 2017 = 17

NOTES:

- MATERIAL:
CAGE: NICKEL PLATED COPPER ALLOY, THICKNESS 0.25mm
SPRING FINGER: NICKEL PLATED COPPER ALLOY, THICKNESS 0.10mm
- PRESS FIT LEGS 3.05 LONG -
1.57 MINIMUM PCB THICKNESS FOR SINGLE SIDED USE
- PORTS ARE DESIGNED FOR SFP+ TRANSCEIVERS AND ARE BACKWARDS COMPATIBLE WITH SFP TRANSCEIVERS
- NO RoHS EXEMPTIONS.

THIS DRAWING CONTAINS INFORMATION THAT IS PROPRIETARY TO MOLEX ELECTRONIC TECHNOLOGIES, LLC AND SHOULD NOT BE USED WITHOUT WRITTEN PERMISSION

SEE REVISION TABLE EC NO: 114175 DRWN: PGSHETTY CHKD: DSUN15 REV / APPR: RCHEN08	GENERAL TOLERANCES (UNLESS SPECIFIED)		DIMENSION UNITS	SCALE			
	ANGULAR TOL ± 1.0 °		MM	3:1			
	4 PLACES ±	PGSHETTY	DATE	2017/01/25			
	3 PLACES ±	CHKD BY	DATE	2017/03/13			
2 PLACES ± 0.15	APPR BY	DATE	2017/04/06	PRODUCT CUSTOMER DRAWING SERIES: 74754 MATERIAL NUMBER: 747540104 CUSTOMER:			
1 PLACE ± 0.25	RCHEN08	DATE	2017/04/06				
0 PLACES ±	DRAFT WHERE APPLICABLE MUST REMAIN WITHIN DIMENSIONS		DRAWING SIZE: C				
THIRD ANGLE PROJECTION				DOCUMENT NUMBER: 747540104	DOC TYPE: PSD	DOC PART: ASY	SHEET NUMBER: 1 OF 4

PCB LAYOUT FOR SINGLE SIDE MOUNT

HATCHED AREA DENOTES COMPONENT AND TRACE KEEP-OUTS (EXCEPT CHASSIS GROUND)

10X $\varnothing 1.05 \pm 0.05$
(SHOWN AS \oplus)

$\oplus 0.1$ A B

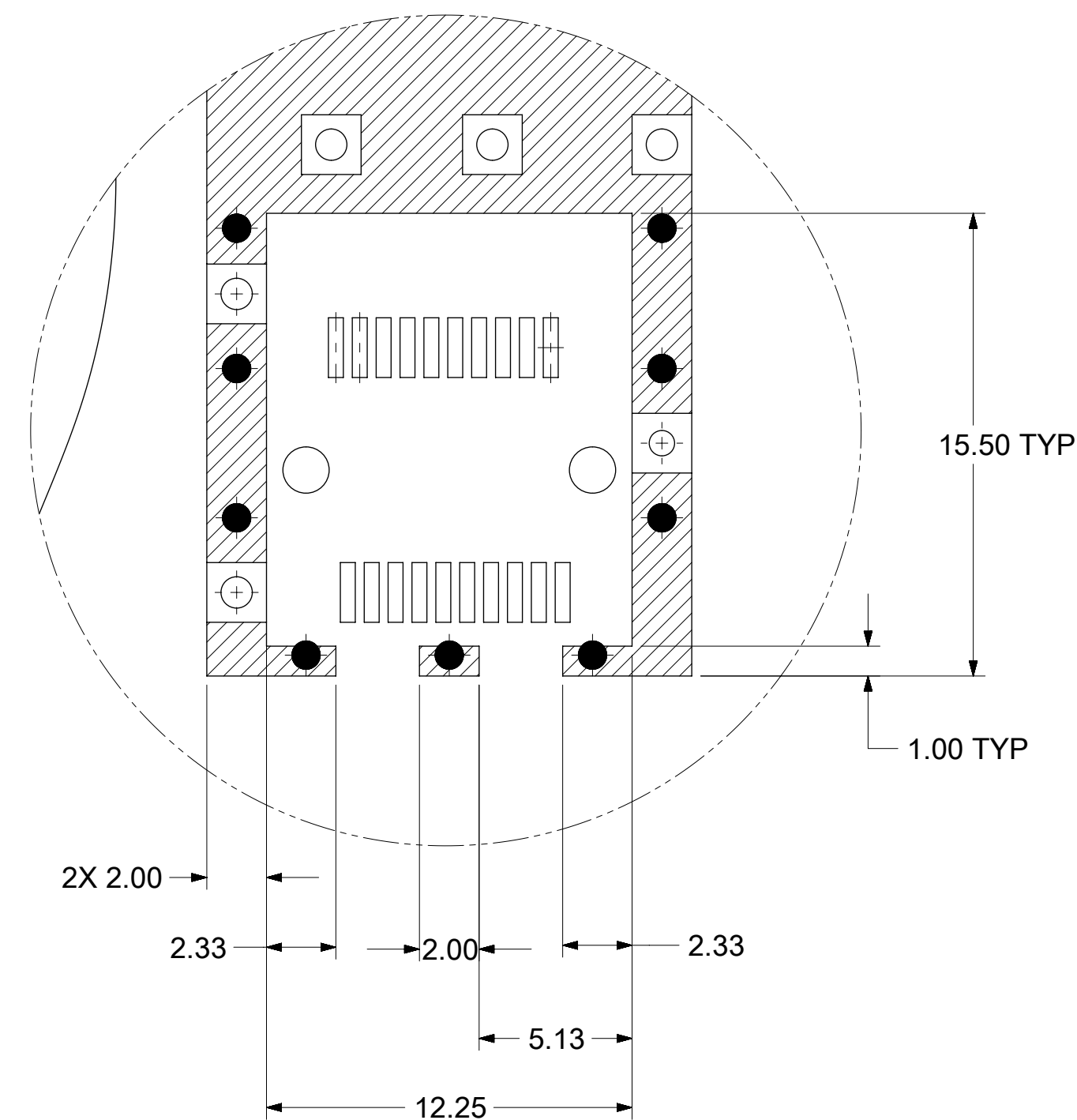
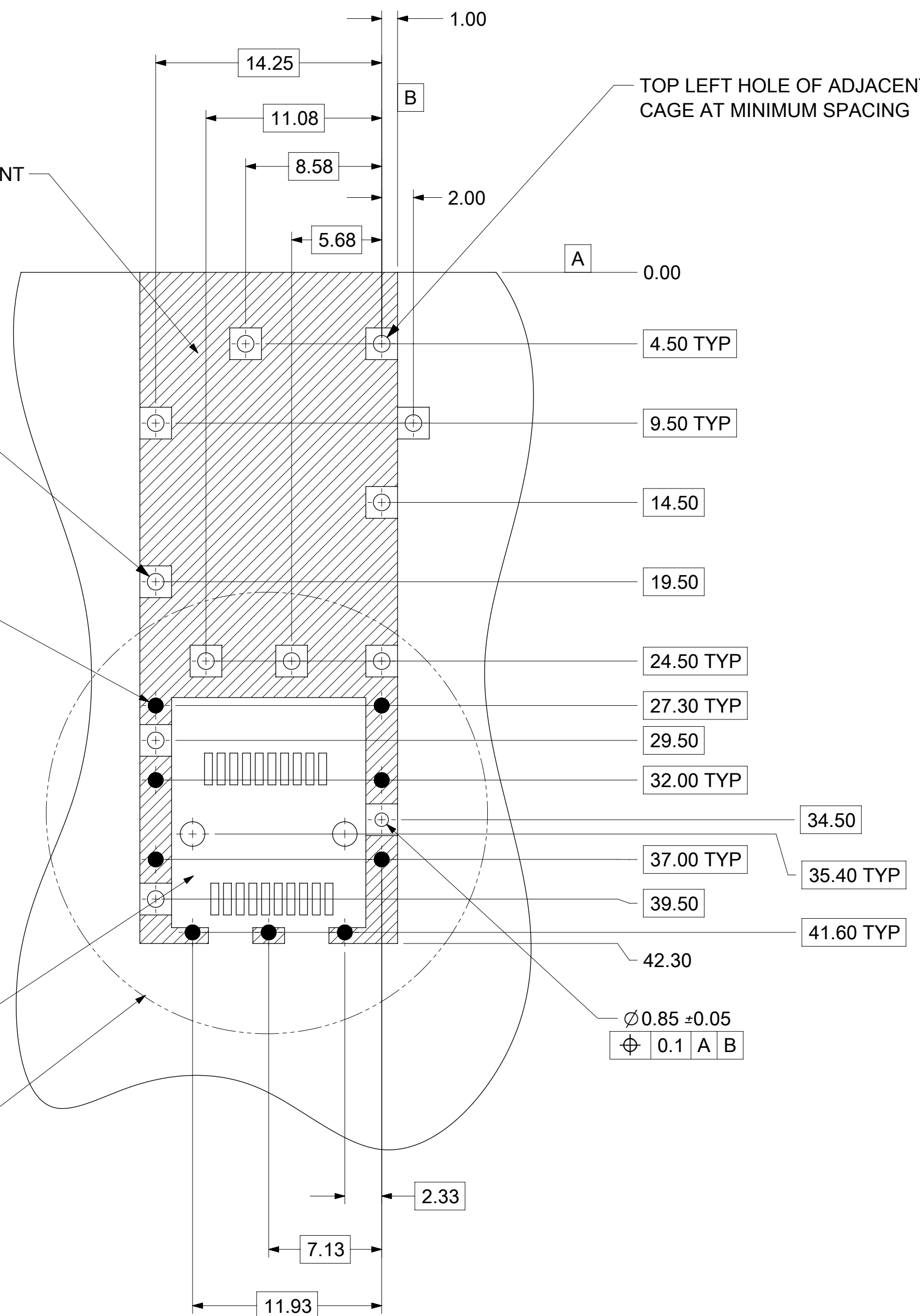
9X $\varnothing 0.95 \pm 0.05$
(SHOWN AS \bullet)

$\oplus 0.1$ A B

THIS AREA DENOTES COMPONENT KEEP-OUT (TRACES ALLOWED)

SEE DETAIL 1

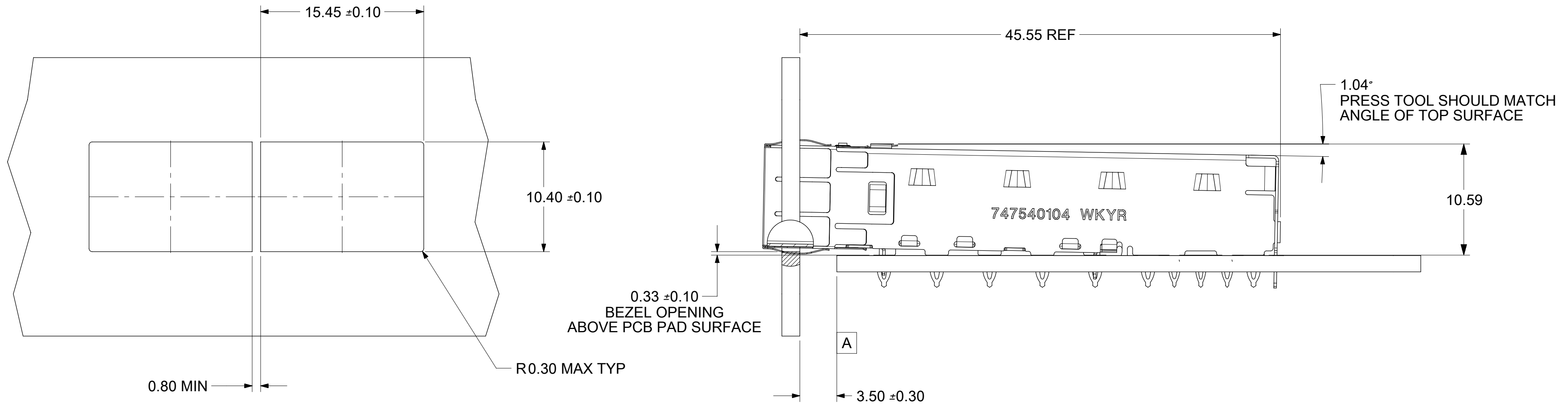
TOP LEFT HOLE OF ADJACENT CAGE AT MINIMUM SPACING



DETAIL 1
SCALE 10:1

THIS DRAWING CONTAINS INFORMATION THAT IS PROPRIETARY TO MOLEX ELECTRONIC TECHNOLOGIES, LLC AND SHOULD NOT BE USED WITHOUT WRITTEN PERMISSION											
SEE REVISION TABLE	EC NO:	114175	GENERAL TOLERANCES (UNLESS SPECIFIED)		DIMENSION UNITS	SCALE	molex				
	DRWN:	PGSHETTY	ANGULAR TOL $\pm 1.0^\circ$		MM	4:1					
	CHKD:	DSUN15	4 PLACES	\pm	DRWN BY	DATE	SFP+ 1X1 PCI CAGE WITH SPRING FINGERS PRESS FIT				
	REV:	APPR: RCHEN08	3 PLACES	\pm	PGSHETTY	2017/01/25					
	DRAFT WHERE APPLICABLE MUST REMAIN WITHIN DIMENSIONS		2 PLACES	± 0.15	CHKD BY	DATE	PRODUCT CUSTOMER DRAWING				
			1 PLACE	± 0.25	DSUN15	2017/03/13					
		0 PLACES	\pm	APPR BY	DATE	SERIES		MATERIAL NUMBER		CUSTOMER	
D	C	DRAWING SIZE		THIRD ANGLE PROJECTION	74754	747540104					
		DOCUMENT NUMBER		PSD	DOC PART	SHEET NUMBER					
		747540104		ASY	2 OF 4						

BEZEL AND BOARD POSITION DIMENSIONS FOR SINGLE SIDE MOUNTING (SPRING FINGER)



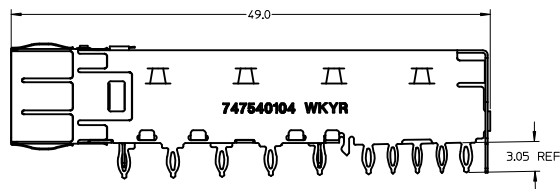
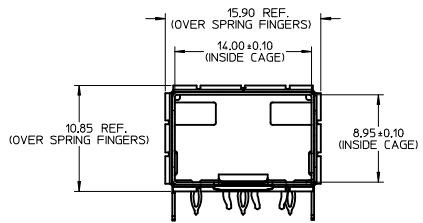
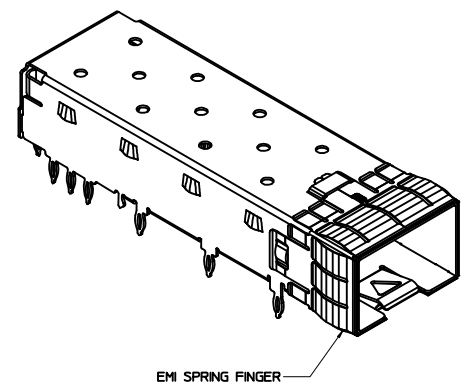
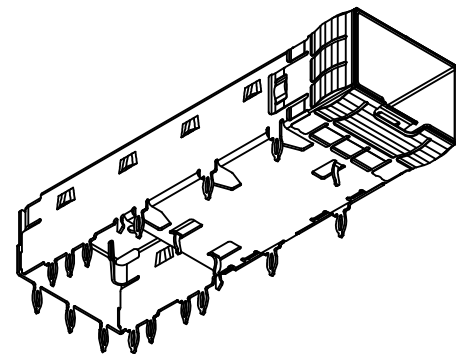
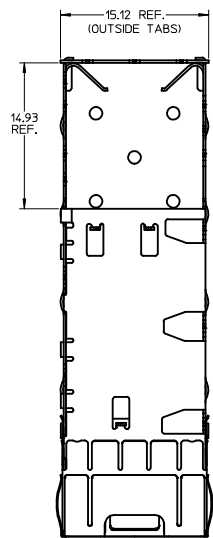
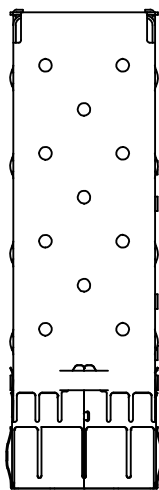
THIS DRAWING CONTAINS INFORMATION THAT IS PROPRIETARY TO MOLEX ELECTRONIC TECHNOLOGIES, LLC AND SHOULD NOT BE USED WITHOUT WRITTEN PERMISSION

SEE REVISION TABLE EC NO: 114175 DRWN: PGSHETTY CHKD: DSUN15 REV / APPR: RCHEN08	2017/01/25 2017/03/13 2017/04/06	GENERAL TOLERANCES (UNLESS SPECIFIED) ANGULAR TOL ± 1.0 °	DIMENSION UNITS MM	SCALE 3.5:1	<h2 style="margin: 0;">molex®</h2> <p style="margin: 5px 0;">SFP+ 1X1 PCI CAGE WITH SPRING FINGERS PRESS FIT</p>	
	4 PLACES ± 3 PLACES ± 2 PLACES ± 0.15 1 PLACE ± 0.25 0 PLACES ±	DRWN BY PGSHETTY	DATE 2017/01/25	CHKD BY DSUN15		DATE 2017/03/13
	DRAFT WHERE APPLICABLE MUST REMAIN WITHIN DIMENSIONS	APPR BY RCHEN08	DATE 2017/04/06	DRAWING SIZE C		THIRD ANGLE PROJECTION
	PRODUCT CUSTOMER DRAWING	SERIES 74754	MATERIAL NUMBER 747540104	CUSTOMER		DOCUMENT NUMBER 747540104
RELEASE STATUS P1	RELEASE DATE 06.04.2017	04:22:49	DOC TYPE PSD	DOC PART ASY	SHEET NUMBER 3 OF 4	

REV	DATE	DESCRIPTION
A	2007/05/23	INITIAL RELEASE
B	2008/03/26	REVISED
C	2013/07/22	REGENERATED ISO VIEW
D	2017/01/20	REMASTERED FROM "SD-74754-0104 REV_C" TO "747540104 PSD ASY REV_D" IN NX SHEET 1 : B7 : ADDED DATE CODE TABLE SHEET 3 : E8 : ADDED DIM R 0.30 MAX TYP

THIS DRAWING CONTAINS INFORMATION THAT IS PROPRIETARY TO MOLEX ELECTRONIC TECHNOLOGIES, LLC AND SHOULD NOT BE USED WITHOUT WRITTEN PERMISSION

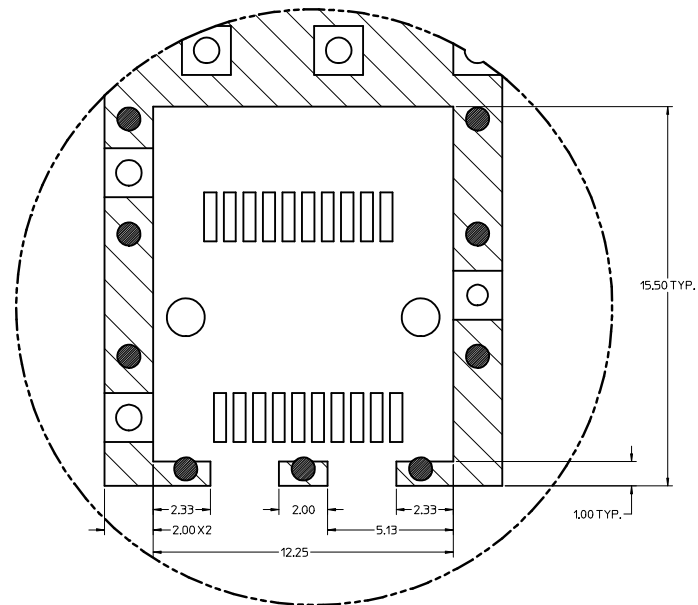
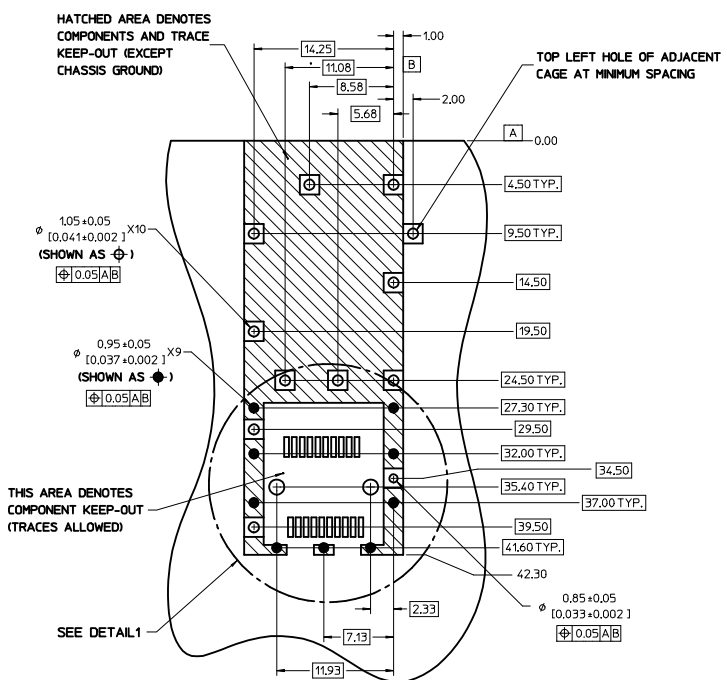
SEE REVISION TABLE	EC NO: 114175	2017/01/25	GENERAL TOLERANCES (UNLESS SPECIFIED)	DIMENSION UNITS	SCALE	molex SFP+ 1X1 PCI CAGE WITH SPRING FINGERS PRESS FIT				
	DRWN: PGSHETTY	2017/03/13		MM	1:1					
	CHKD: DSUN15	2017/04/06		ANGULAR TOL ± 1.0 °	DRWN BY		DATE			
	REV / APPR: RCHEN08			4 PLACES ±	PGSHETTY		2017/01/25			
				3 PLACES ±	CHKD BY		DATE			
				2 PLACES ± 0.15	DSUN15		2017/03/13			
				1 PLACE ± 0.25	APPR BY		DATE			
				0 PLACES ±	RCHEN08		2017/04/06			
				DRAFT WHERE APPLICABLE MUST REMAIN WITHIN DIMENSIONS	DRAWING SIZE		THIRD ANGLE PROJECTION	SERIES	MATERIAL NUMBER	CUSTOMER
					C			74754	747540104	
					DOCUMENT NUMBER	DOC TYPE	DOC PART	SHEET NUMBER		
					747540104	PSD	ASY	4 OF 4		



- NOTES:**
- MATERIAL:**
 CAGE: NICKEL PLATED COPPER ALLOY, THICKNESS 0.25mm
 SPRING FINGER: NICKEL PLATED COPPER ALLOY, THICKNESS 0.10mm
 - PRESS FIT LEGS 3.05 LONG -
 1.57 MINIMUM PCB THICKNESS FOR SINGLE SIDED USE
 - PORTS ARE DESIGNED FOR SFP+ TRANSCEIVERS AND ARE BACKWARDS COMPATIBLE WITH SFP TRANSCEIVERS
 - NO RoHS EXEMPTIONS.

UPDATE ISO VIEW IEC NO: CPG2014-0215 DRAWNSYANG16 2013/07/22 CHKD: APPR:RTSAL 2013/07/22	QUALITY SYMBOLS	GENERAL TOLERANCES (UNLESS SPECIFIED)	DIMENSION STYLE	SCALE	DESIGN UNITS	THIRD ANGLE PROJECTION
	▽=0	4 PLACES ± mm ± INCH	MM ONLY	4:1	METRIC	
	▽=0	3 PLACES ± --- ± ---				
	▽=0	2 PLACES ± 0.15 ± ---				
		1 PLACE ± 0.25 ± ---				
		0 PLACE ± ±				
		ANGULAR ± 1 °				
		DRAFT WHERE APPLICABLE MUST REMAIN WITHIN DIMENSIONS				
			MATERIAL NO.		DOCUMENT NO.	SHEET NO.
			747540104		SD-74754-0104	1 OF 4
			THIS DRAWING CONTAINS INFORMATION THAT IS PROPRIETARY TO MOLEX INCORPORATED AND SHOULD NOT BE USED WITHOUT WRITTEN PERMISSION			

PCB LAYOUT FOR SINGLE SIDE MOUNT



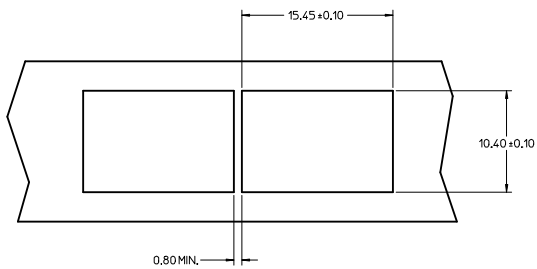
DETAIL1
SCALE 10:1
HOST CONNECTOR DETAIL

UPDATE ISO VIEW EC NO: CPG2014-0215 DRAWNSYANG16 2013/07/22 CHYD: APPROVAL:	QUALITY SYMBOLS	GENERAL TOLERANCES (UNLESS SPECIFIED)	DIMENSION STYLE	SCALE	DESIGN UNITS	THIRD ANGLE PROJECTION
	▽=0	4 PLACES ± mm INCH	MM ONLY	4:1	METRIC	☉ □
	▽=0	3 PLACES ± 0.15				
	▽=0	2 PLACES ± 0.25				
		ANGULAR ± 1 °				
		DRAFT WHERE APPLICABLE MUST REMAIN WITHIN DIMENSIONS				
			MATERIAL NO.	DOCUMENT NO.		
			747540104	SD-74754-0104		
						SHEET NO. 2 OF 4

SFP+ 1X1 PCI CAGE WITH SPRING FINGERS PRESS FIT



BEZEL AND BOARD POSITION DIMENSIONS FOR SINGLE SIDE MOUNTING
(SPRING FINGER)



UPDATE ISO VIEW EC NO: CPG2014-0215 CHYK: DRWNSYANG16 APPR: TSAL 2013/07/22	QUALITY SYMBOLS ∇=0 ∇=0 ∇=0	GENERAL TOLERANCES (UNLESS SPECIFIED)		DIMENSION STYLE MM ONLY	SCALE 4:1	DESIGN UNITS METRIC	THIRD ANGLE PROJECTION
		4 PLACES ± --- ± --- 3 PLACES ± --- ± --- 2 PLACES ± 0.15 ± --- 1 PLACE ± 0.25 ± --- 0 PLACE ± ±	mm INCH	DRAWN BY PSYTSMA DATE 2007/05/23	CHECKED BY BRUSSELL DATE 2007/05/23	APPROVED BY BRUSSELL DATE 2007/05/23	TITLE SFP+ 1X1 PCI CAGE WITH SPRING FINGERS PRESS FIT
DRAFT WHERE APPLICABLE MUST REMAIN WITHIN DIMENSIONS		ANGULAR ± 1 °		MATERIAL NO. 747540104	DOCUMENT NO. SD-74754-0104	SHEET NO. 3 OF 4	
THIS DRAWING CONTAINS INFORMATION THAT IS PROPRIETARY TO MOLEX INCORPORATED AND SHOULD NOT BE USED WITHOUT WRITTEN PERMISSION							

20 19 18 17 16 15 14 13 12 11 10 9 8 7 6 5 4 3 2 1

REV	DATE	DESCRIPTION
C	2013/07/22	REGENERATED ISO VIEW.

UPDATE ISO VIEW IEC NO: CPG2014-0215 DRAWN BY: CHYKD APPR: RTSAI 2013/07/22	QUALITY SYMBOLS ▽=0 ▽=0 ▽=0	GENERAL TOLERANCES (UNLESS SPECIFIED)		DIMENSION STYLE MM ONLY		SCALE	DESIGN UNITS METRIC	THIRD ANGLE PROJECTION		
		4 PLACES ± 0.15 ± --- ± --- 3 PLACES ± 0.25 ± --- ± --- 2 PLACES ± 0.5 ± --- ± --- 1 PLACE ± 1 ± --- ± --- 0 PLACE ± 1 ± --- ± ---	mm INCH	DRAWN BY PSYTSMA 2007/05/23 CHECKED BY BRUSSELL 2007/05/23 APPROVED BY BRUSSELL 2007/05/23	DATE DATE DATE	TITLE SFP+ 1X1 PCI CAGE WITH SPRING FINGERS PRESS FIT		DOCUMENT NO. SD-74754-0104		
ANGLULAR ± 1 ° DRAFT WHERE APPLICABLE MUST REMAIN WITHIN DIMENSIONS		MATERIAL NO. 747540104		THIS DRAWING CONTAINS INFORMATION THAT IS PROPRIETARY TO MOLEX INCORPORATED AND SHOULD NOT BE USED WITHOUT WRITTEN PERMISSION						

19 18 17 16 15 14 13 12 11 10 9 8 7 6 5 4 3 2 1